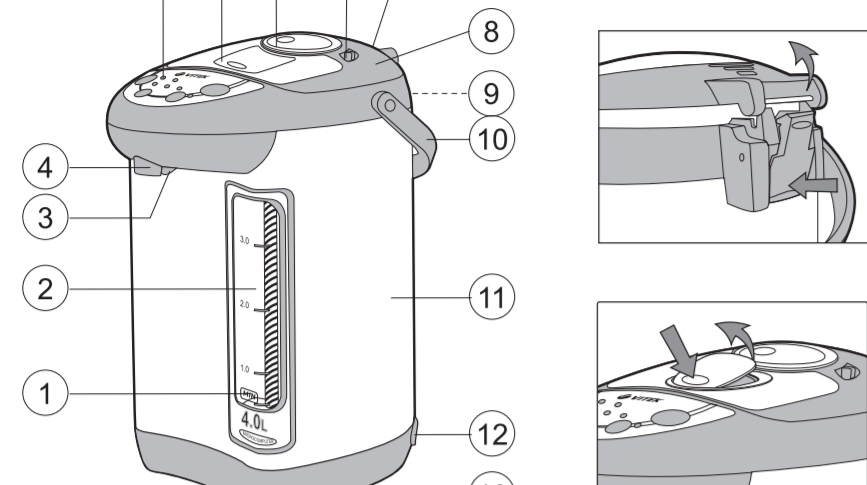


ENGLISH

THERMO POT Electric thermo pot is intended only for water boiling. For proper and safe usage of the unit, read this instruction carefully.



- 1. MIN* mark
2. Water level indicator
3. Water dispense button
4. Water spout
5. Control panel
6. Lid opening button
7. Steam escape hole
8. Removable upper lid
9. Lid clamp
10. Handle for carrying
11. Case
12. Power cord jack
13. Rotating base

You can dispense water, using the hand pump (18), by the preliminary setting the hand pump lock-off (17) to ON position.

- 14. Sealing gasket
15. "FULL" mark
16. Power cord
17. Hand pump locking
18. Hand pump
19. Temperature indicator
20. "TEMP SET" button
21. "TEMP DECLINING" indicator
22. "BOILING/TEMP DECLINING" button
23. "BOILING" indicator
24. "WARM TEMP 98°C" indicator
25. "WARM TEMP 85°C" indicator
26. "DISPENSE" button
27. "UNLOCK" button
28. "WARM TEMP 55°C" indicator

Improper usage of the unit may cause injuries or damages.

OPERATING INSTRUCTIONS IMPRATANT SAFEGUARDS

- Before switching on the unit read this instruction carefully.
Make sure that your home electricity supply corresponds to the voltage of current specified on the housing.
The power cord is equipped with euro plug; insert it into the socket with secure grounding.

- Do not plug or unplug the unit with wet hands, it may lead to electric shock or injuries.
Hold by the plug not by the cord while disconnecting.
Do not switch on the unit if it is empty.

- Do not do up or incline the unit.
Use the thermo pot only for water boiling, do not use to heat or boil other liquids.

- Do not use the unit near the walls and furniture.
Steam that goes out may lead to deformation or other damages of the walls and furniture.
Do not use the unit near heat sources or open flames.

- When children or infirm persons are near a pot, it is necessary to be especially careful.
Provide that the power cord is not hanging over the table and make sure that it does not touch heated surfaces.

- Do not open the lid and do not pour water while boiling.
Do not rotate the unit while dispensing water.

- Do not make efforts to open the lid. Close the lid (8) by pressing the (18) and remove the lid (8) by pulling the handle (9).

- Keep your hands away from steam openings otherwise you can get burns. Do not block steam openings by foreign objects.
Do not touch hot surfaces of the thermo pot.
Be careful while carrying the thermo pot, filled with boiling water. Do not touch the lid opening button.

- Do not carry the thermo pot, by holding the lid opening button.
Remove the lid to pour the rest of hot water. Be careful while pouring out hot water.

- In order to avoid electric shock do not immerse the unit into water or other liquids.
Always switch off and unplug the unit if it is not being used or before cleaning.
Do not wash the unit in a dish wash machine.

- Before taking the unit away for keeping, unplug it, pour out water and let it cool down and dry out.
Check the power cord and the plug periodically.
Do not immerse the thermo pot if there are damages in the power cord.

- Do not repair the unit yourself. It may lead to a fire, electric shock, or injuries. If there are some damages in the unit apply to the authorized service center.
The unit is intended for household use only.

- Specifications: Power supply: 220-240 V - 50 Hz
Max. power: 750 W
Max. capacity: 4 l

The manufacturer reserves the right to change the device's characteristics without prior notice.

Service life of the unit is not less than 3 years
GUARANTEE Details regarding guarantee conditions can be found in the dealer from whom the appliance was purchased.

This product conforms to the EMC-Requirements as laid down by the Council Directive 2004/108/EC and to the Low Voltage Regulation (2006/95/EC)

DEUTSCH

THERMOPOT Der elektrische Wasserkocher und Thermo-Kanne zugleich (Thermopot) ist nur zum Aufkochen von Wasser vorgesehen. Die Geräte sind nicht für andere Zwecke zu benutzen. Lesen Sie aufmerksam diese Bedienungsanleitung sorgfältig durch.

- 1. Anzeige zum Wassernachfüllen -MIN*-
2. Wasserstandskauf mit Beleuchtung
3. Wasserauslassknopf
4. Wasserablassdose
5. Bedienungsanleitung
6. Dampfabfangglaste
7. Abnehmbarer oberer Deckel
8. Tragegriff
9. Gehäuse
10. Anschluss des Netzkaabels
11. Drehhass
12. Verriegelungseinlage
13. Anzeige des maximalen Wasserstandes -FULL*-
14. Netzkaabel
15. Sperrriegel der Handpumpe
16. Handpumpe

You can dispense water, using the hand pump (18), by the preliminary setting the hand pump lock-off (17) to ON position.

- 17. "FULL" mark
18. Power cord
19. Hand pump locking
20. "TEMP SET" button
21. "TEMP DECLINING" indicator
22. "BOILING/TEMP DECLINING" button
23. "BOILING" indicator
24. "WARM TEMP 98°C" indicator
25. "WARM TEMP 85°C" indicator
26. "DISPENSE" button
27. "UNLOCK" button
28. "WARM TEMP 55°C" indicator

Improper usage of the unit may cause injuries or damages.

OPERATING INSTRUCTIONS IMPRATANT SAFEGUARDS

- Before switching on the unit read this instruction carefully.
Make sure that your home electricity supply corresponds to the voltage of current specified on the housing.
The power cord is equipped with euro plug; insert it into the socket with secure grounding.

- Do not plug or unplug the unit with wet hands, it may lead to electric shock or injuries.
Hold by the plug not by the cord while disconnecting.
Do not switch on the unit if it is empty.

- Do not do up or incline the unit.
Use the thermo pot only for water boiling, do not use to heat or boil other liquids.

- Do not use the unit near the walls and furniture.
Steam that goes out may lead to deformation or other damages of the walls and furniture.
Do not use the unit near heat sources or open flames.

- When children or infirm persons are near a pot, it is necessary to be especially careful.
Provide that the power cord is not hanging over the table and make sure that it does not touch heated surfaces.

- Do not open the lid and do not pour water while boiling.
Do not rotate the unit while dispensing water.

- Do not make efforts to open the lid. Close the lid (8) by pressing the (18) and remove the lid (8) by pulling the handle (9).

- Keep your hands away from steam openings otherwise you can get burns. Do not block steam openings by foreign objects.
Do not touch hot surfaces of the thermo pot.
Be careful while carrying the thermo pot, filled with boiling water. Do not touch the lid opening button.

- Do not carry the thermo pot, by holding the lid opening button.
Remove the lid to pour the rest of hot water. Be careful while pouring out hot water.

- In order to avoid electric shock do not immerse the unit into water or other liquids.
Always switch off and unplug the unit if it is not being used or before cleaning.
Do not wash the unit in a dish wash machine.

- Before taking the unit away for keeping, unplug it, pour out water and let it cool down and dry out.
Check the power cord and the plug periodically.
Do not immerse the thermo pot if there are damages in the power cord.

- Do not repair the unit yourself. It may lead to a fire, electric shock, or injuries. If there are some damages in the unit apply to the authorized service center.
The unit is intended for household use only.

- Specifications: Power supply: 220-240 V - 50 Hz
Max. power: 750 W
Max. capacity: 4 l

The manufacturer reserves the right to change the device's characteristics without prior notice.

Service life of the unit is not less than 3 years
GUARANTEE Details regarding guarantee conditions can be found in the dealer from whom the appliance was purchased.

This product conforms to the EMC-Requirements as laid down by the Council Directive 2004/108/EC and to the Low Voltage Regulation (2006/95/EC)

RUSSКИЙ

ЧАЙНИК-ТЕРМОС (ТЕРМОПОТ) Электрический чайник-термос (термопот) предназначен только для кипячения воды. Для того чтобы правильно и безопасно пользоваться электроприбором, внимательно изучите данные руководств.

- 1. Отметка необходимости долива воды -MIN*-
2. Шкала уровня воды с подсветкой
3. Кнопка включения подачи воды
4. Брызгоуловитель
5. Управление
6. Клавиша открытия крышки
7. Клавиша закрытия крышки
8. Съемная верхняя крышка
9. Крышка крышки
10. Ручка для переноски
11. Корпус
12. Рельеф для подключения сетевого шнура
13. Поворотная планка
14. Ультратонкая прокладка
15. Отметка максимального уровня -FULL*-
16. Сетевой шнур
17. Блокировка ручной помпы
18. Ручная помпа

You can dispense water, using the hand pump (18), by the preliminary setting the hand pump lock-off (17) to ON position.

- 19. Temperature indicator
20. "TEMP SET" button
21. "TEMP DECLINING" indicator
22. "BOILING/TEMP DECLINING" button
23. "BOILING" indicator
24. "WARM TEMP 98°C" indicator
25. "WARM TEMP 85°C" indicator
26. "DISPENSE" button
27. "UNLOCK" button
28. "WARM TEMP 55°C" indicator

Improper usage of the unit may cause injuries or damages.

OPERATING INSTRUCTIONS IMPRATANT SAFEGUARDS

- Before switching on the unit read this instruction carefully.
Make sure that your home electricity supply corresponds to the voltage of current specified on the housing.
The power cord is equipped with euro plug; insert it into the socket with secure grounding.

- Do not plug or unplug the unit with wet hands, it may lead to electric shock or injuries.
Hold by the plug not by the cord while disconnecting.
Do not switch on the unit if it is empty.

- Do not do up or incline the unit.
Use the thermo pot only for water boiling, do not use to heat or boil other liquids.

- Do not use the unit near the walls and furniture.
Steam that goes out may lead to deformation or other damages of the walls and furniture.
Do not use the unit near heat sources or open flames.

- When children or infirm persons are near a pot, it is necessary to be especially careful.
Provide that the power cord is not hanging over the table and make sure that it does not touch heated surfaces.

- Do not open the lid and do not pour water while boiling.
Do not rotate the unit while dispensing water.

- Do not make efforts to open the lid. Close the lid (8) by pressing the (18) and remove the lid (8) by pulling the handle (9).

- Keep your hands away from steam openings otherwise you can get burns. Do not block steam openings by foreign objects.
Do not touch hot surfaces of the thermo pot.
Be careful while carrying the thermo pot, filled with boiling water. Do not touch the lid opening button.

- Do not carry the thermo pot, by holding the lid opening button.
Remove the lid to pour the rest of hot water. Be careful while pouring out hot water.

- In order to avoid electric shock do not immerse the unit into water or other liquids.
Always switch off and unplug the unit if it is not being used or before cleaning.
Do not wash the unit in a dish wash machine.

- Before taking the unit away for keeping, unplug it, pour out water and let it cool down and dry out.
Check the power cord and the plug periodically.
Do not immerse the thermo pot if there are damages in the power cord.

- Do not repair the unit yourself. It may lead to a fire, electric shock, or injuries. If there are some damages in the unit apply to the authorized service center.
The unit is intended for household use only.

- Specifications: Power supply: 220-240 V - 50 Hz
Max. power: 750 W
Max. capacity: 4 l

The manufacturer reserves the right to change the device's characteristics without prior notice.

Service life of the unit is not less than 3 years
GUARANTEE Details regarding guarantee conditions can be found in the dealer from whom the appliance was purchased.

This product conforms to the EMC-Requirements as laid down by the Council Directive 2004/108/EC and to the Low Voltage Regulation (2006/95/EC)

ҚАЗАҚ

ЧАЙНИК-ТЕРМОС (ТЕРМОПОТ) Электрический чайник-термос (термопот) предназначен только для кипячения воды. Для того чтобы правильно и безопасно пользоваться электроприбором, внимательно изучите данные руководств.

- 1. Отметка необходимости долива воды -MIN*-
2. Шкала уровня воды с подсветкой
3. Кнопка включения подачи воды
4. Брызгоуловитель
5. Управление
6. Клавиша открытия крышки
7. Клавиша закрытия крышки
8. Съемная верхняя крышка
9. Крышка крышки
10. Ручка для переноски
11. Корпус
12. Рельеф для подключения сетевого шнура
13. Поворотная планка
14. Ультратонкая прокладка
15. Отметка максимального уровня -FULL*-
16. Сетевой шнур
17. Блокировка ручной помпы
18. Ручная помпа

You can dispense water, using the hand pump (18), by the preliminary setting the hand pump lock-off (17) to ON position.

- 19. Temperature indicator
20. "TEMP SET" button
21. "TEMP DECLINING" indicator
22. "BOILING/TEMP DECLINING" button
23. "BOILING" indicator
24. "WARM TEMP 98°C" indicator
25. "WARM TEMP 85°C" indicator
26. "DISPENSE" button
27. "UNLOCK" button
28. "WARM TEMP 55°C" indicator

Improper usage of the unit may cause injuries or damages.

OPERATING INSTRUCTIONS IMPRATANT SAFEGUARDS

- Before switching on the unit read this instruction carefully.
Make sure that your home electricity supply corresponds to the voltage of current specified on the housing.
The power cord is equipped with euro plug; insert it into the socket with secure grounding.

- Do not plug or unplug the unit with wet hands, it may lead to electric shock or injuries.
Hold by the plug not by the cord while disconnecting.
Do not switch on the unit if it is empty.

- Do not do up or incline the unit.
Use the thermo pot only for water boiling, do not use to heat or boil other liquids.

- Do not use the unit near the walls and furniture.
Steam that goes out may lead to deformation or other damages of the walls and furniture.
Do not use the unit near heat sources or open flames.

- When children or infirm persons are near a pot, it is necessary to be especially careful.
Provide that the power cord is not hanging over the table and make sure that it does not touch heated surfaces.

- Do not open the lid and do not pour water while boiling.
Do not rotate the unit while dispensing water.

- Do not make efforts to open the lid. Close the lid (8) by pressing the (18) and remove the lid (8) by pulling the handle (9).

- Keep your hands away from steam openings otherwise you can get burns. Do not block steam openings by foreign objects.
Do not touch hot surfaces of the thermo pot.
Be careful while carrying the thermo pot, filled with boiling water. Do not touch the lid opening button.

- Do not carry the thermo pot, by holding the lid opening button.
Remove the lid to pour the rest of hot water. Be careful while pouring out hot water.

- In order to avoid electric shock do not immerse the unit into water or other liquids.
Always switch off and unplug the unit if it is not being used or before cleaning.
Do not wash the unit in a dish wash machine.

- Before taking the unit away for keeping, unplug it, pour out water and let it cool down and dry out.
Check the power cord and the plug periodically.
Do not immerse the thermo pot if there are damages in the power cord.

- Do not repair the unit yourself. It may lead to a fire, electric shock, or injuries. If there are some damages in the unit apply to the authorized service center.
The unit is intended for household use only.

- Specifications: Power supply: 220-240 V - 50 Hz
Max. power: 750 W
Max. capacity: 4 l

The manufacturer reserves the right to change the device's characteristics without prior notice.

Service life of the unit is not less than 3 years
GUARANTEE Details regarding guarantee conditions can be found in the dealer from whom the appliance was purchased.

This product conforms to the EMC-Requirements as laid down by the Council Directive 2004/108/EC and to the Low Voltage Regulation (2006/95/EC)

POLSKI

CHAJNIK-TERMOС (TERMOPOТ) Elektryczny czajnik-termos przeznaczony jest wyłącznie do gotowania wody. W celu prawidłowego i bezpiecznego użytkowania urządzenia elektrycznego uważnie przeczytaj niniejszą instrukcję.

- 1. Oznaczenie konieczności dolania wody -MIN*-
2. Skala poziomu wody z podświetleniem
3. Przycisk włączenia podania wody
4. Działek do wywierania wody
5. Panel sterowania
6. Przycisk otwarcia pokrywy
7. Otwory wykotu pary
8. Zatrask pokrywy
9. Uchwyt do przeniesienia
10. Obudowa
11. Korpus
12. Złącze do podłączenia przewodu zasilającego
13. Podstawka obrotowa
14. Wykładzina gumowa
15. Oznaczenie maksymalnego poziomu -FULL*-
16. Przewód zasilający
17. Blokada pompy ręcznej
18. Pompa ręczna

You can dispense water, using the hand pump (18), by the preliminary setting the hand pump lock-off (17) to ON position.

- 19. Temperature indicator
20. "TEMP SET" button
21. "TEMP DECLINING" indicator
22. "BOILING/TEMP DECLINING" button
23. "BOILING" indicator
24. "WARM TEMP 98°C" indicator
25. "WARM TEMP 85°C" indicator
26. "DISPENSE" button
27. "UNLOCK" button
28. "WARM TEMP 55°C" indicator

Improper usage of the unit may cause injuries or damages.

OPERATING INSTRUCTIONS IMPRATANT SAFEGUARDS

- Before switching on the unit read this instruction carefully.
Make sure that your home electricity supply corresponds to the voltage of current specified on the housing.
The power cord is equipped with euro plug; insert it into the socket with secure grounding.

- Do not plug or unplug the unit with wet hands, it may lead to electric shock or injuries.
Hold by the plug not by the cord while disconnecting.
Do not switch on the unit if it is empty.

- Do not do up or incline the unit.
Use the thermo pot only for water boiling, do not use to heat or boil other liquids.

- Do not use the unit near the walls and furniture.
Steam that goes out may lead to deformation or other damages of the walls and furniture.
Do not use the unit near heat sources or open flames.

- When children or infirm persons are near a pot, it is necessary to be especially careful.
Provide that the power cord is not hanging over the table and make sure that it does not touch heated surfaces.

- Do not open the lid and do not pour water while boiling.
Do not rotate the unit while dispensing water.

- Do not make efforts to open the lid. Close the lid (8) by pressing the (18) and remove the lid (8) by pulling the handle (9).

- Keep your hands away from steam openings otherwise you can get burns. Do not block steam openings by foreign objects.
Do not touch hot surfaces of the thermo pot.
Be careful while carrying the thermo pot, filled with boiling water. Do not touch the lid opening button.

- Do not carry the thermo pot, by holding the lid opening button.
Remove the lid to pour the rest of hot water. Be careful while pouring out hot water.

- In order to avoid electric shock do not immerse the unit into water or other liquids.
Always switch off and unplug the unit if it is not being used or before cleaning.
Do not wash the unit in a dish wash machine.

- Before taking the unit away for keeping, unplug it, pour out water and let it cool down and dry out.
Check the power cord and the plug periodically.
Do not immerse the thermo pot if there are damages in the power cord.

- Do not repair the unit yourself. It may lead to a fire, electric shock, or injuries. If there are some damages in the unit apply to the authorized service center.
The unit is intended for household use only.

- Specifications: Power supply: 220-240 V - 50 Hz
Max. power: 750 W
Max. capacity: 4 l

The manufacturer reserves the right to change the device's characteristics without prior notice.

Service life of the unit is not less than 3 years
GUARANTEE Details regarding guarantee conditions can be found in the dealer from whom the appliance was purchased.

This product conforms to the EMC-Requirements as laid down by the Council Directive 2004/108/EC and to the Low Voltage Regulation (2006/95/EC)

ЧАЙНИК-ТЕРМОС (ТЕРМОПОТ) Elektryczny czajnik-termos przeznaczony jest wyłącznie do gotowania wody. W celu prawidłowego i bezpiecznego użytkowania urządzenia elektrycznego uważnie przeczytaj niniejszą instrukcję.

- 1. Oznaczenie konieczności dolania wody -MIN*-
2. Skala poziomu wody z podświetleniem
3. Przycisk włączenia podania wody
4. Działek do wywierania wody
5. Panel sterowania
6. Przycisk otwarcia pokrywy
7. Otwory wykotu pary
8. Zatrask pokrywy
9. Uchwyt do przeniesienia
10. Obudowa
11. Korpus
12. Złącze do podłączenia przewodu zasilającego
13. Podstawka obrotowa
14. Wykładzina gumowa
15. Oznaczenie maksymalnego poziomu -FULL*-
16. Przewód zasilający
17. Blokada pompy ręcznej
18. Pompa ręczna

You can dispense water, using the hand pump (18), by the preliminary setting the hand pump lock-off (17) to ON position.

- 19. Temperature indicator
20. "TEMP SET" button
21. "TEMP DECLINING" indicator
22. "BOILING/TEMP DECLINING" button
23. "BOILING" indicator
24. "WARM TEMP 98°C" indicator
25. "WARM TEMP 85°C" indicator
26. "DISPENSE" button
27. "UNLOCK" button
28. "WARM TEMP 55°C" indicator

Improper usage of the unit may cause injuries or damages.

OPERATING INSTRUCTIONS IMPRATANT SAFEGUARDS

- Before switching on the unit read this instruction carefully.
Make sure that your home electricity supply corresponds to the voltage of current specified on the housing.
The power cord is equipped with euro plug; insert it into the socket with secure grounding.

- Do not plug or unplug the unit with wet hands, it may lead to electric shock or injuries.
Hold by the plug not by the cord while disconnecting.
Do not switch on the unit if it is empty.

- Do not do up or incline the unit.
Use the thermo pot only for water boiling, do not use to heat or boil other liquids.

- Do not use the unit near the walls and furniture.
Steam that goes out may lead to deformation or other damages of the walls and furniture.
Do not use the unit near heat sources or open flames.

- When children or infirm persons are near a pot, it is necessary to be especially careful.
Provide that the power cord is not hanging over the table and make sure that it does not touch heated surfaces.

- Do not open the lid and do not pour water while boiling.
Do not rotate the unit while dispensing water.

- Do not make efforts to open the lid. Close the lid (8) by pressing the (18) and remove the lid (8) by pulling the handle (9).

- Keep your hands away from steam openings otherwise you can get burns. Do not block steam openings by foreign objects.
Do not touch hot surfaces of the thermo pot.
Be careful while carrying the thermo pot, filled with boiling water. Do not touch the lid opening button.

- Do not carry the thermo pot, by holding the lid opening button.
Remove the lid to pour the rest of hot water. Be careful while pouring out hot water.

- In order to avoid electric shock do not immerse the unit into water or other liquids.
Always switch off and unplug the unit if it is not being used or before cleaning.
Do not wash the unit in a dish wash machine.

- Before taking the unit away for keeping, unplug it, pour out water and let it cool down and dry out.
Check the power cord and the plug periodically.
Do not immerse the thermo pot if there are damages in the power cord.

- Do not repair the unit yourself. It may lead to a fire, electric shock, or injuries. If there are some damages in the unit apply to the authorized service center.
The unit is intended for household use only.

- Specifications: Power supply: 220-240 V - 50 Hz
Max. power: 750 W
Max. capacity: 4 l

The manufacturer reserves the right to change the device's characteristics without prior notice.

Service life of the unit is not less than 3 years
GUARANTEE Details regarding guarantee conditions can be found in the dealer from whom the appliance was purchased.

This product conforms to the EMC-Requirements as laid down by the Council Directive 2004/108/EC and to the Low Voltage Regulation (2006/95/EC)

CHAJNIK-TERMOС (TERMOPOТ) Elektryczny czajnik-termos przeznaczony jest wyłącznie do gotowania wody. W celu prawidłowego i bezpiecznego użytkowania urządzenia elektrycznego uważnie przeczytaj niniejszą instrukcję.

- 1. Oznaczenie konieczności dolania wody -MIN*-
2. Skala poziomu wody z podświetleniem
3. Przycisk włączenia podania wody
4. Działek do wywierania wody
5. Panel sterowania
6. Przycisk otwarcia pokrywy
7. Otwory wykotu pary
8. Zatrask pokrywy
9. Uchwyt do przeniesienia
10. Obudowa
11. Korpus
12. Złącze do podłączenia przewodu zasilającego
13. Podstawka obrotowa
14. Wykładzina gumowa
15. Oznaczenie maksymalnego poziomu -FULL*-
16. Przewód zasilający
17. Blokada pompy ręcznej
18. Pompa ręczna

You can dispense water, using the hand pump (18), by the preliminary setting the hand pump lock-off (17) to ON position.

- 19. Temperature indicator
20. "TEMP SET" button
21. "TEMP DECLINING" indicator
22. "BOILING/TEMP DECLINING" button
23. "BOILING" indicator
24. "WARM TEMP 98°C" indicator
25. "WARM TEMP 85°C" indicator
26. "DISPENSE" button
27. "UNLOCK" button
28. "WARM TEMP 55°C" indicator

Improper usage of the unit may cause injuries or damages.

OPERATING INSTRUCTIONS IMPRATANT SAFEGUARDS

- Before switching on the unit read this instruction carefully.
Make sure that your home electricity supply corresponds to the voltage of current specified on the housing.
The power cord is equipped with euro plug; insert it into the socket with secure grounding.

- Do not plug or unplug the unit with wet hands, it may lead to electric shock or injuries.
Hold by the plug not by the cord while disconnecting.
Do not switch on the unit if it is empty.

- Do not do up or incline the unit.
Use the thermo pot only for water boiling, do not use to heat or boil other liquids.

- Do not use the unit near the walls and furniture.
Steam that goes out may lead to deformation or other damages of the walls and furniture.
Do not use the unit near heat sources or open flames.

- When children or infirm persons are near a pot, it is necessary to be especially careful.
Provide that the power cord is not hanging over the table and make sure that it does not touch heated surfaces.

- Do not open the lid and do not pour water while boiling.
Do not rotate the unit while dispensing water.

- Do not make efforts to open the lid. Close the lid (8) by pressing the (18) and remove the lid (8) by pulling the handle (9).

