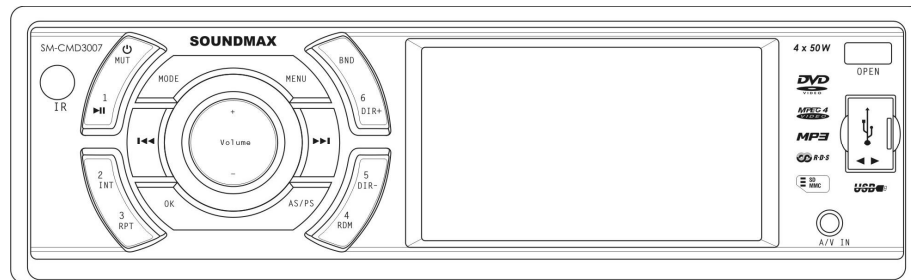
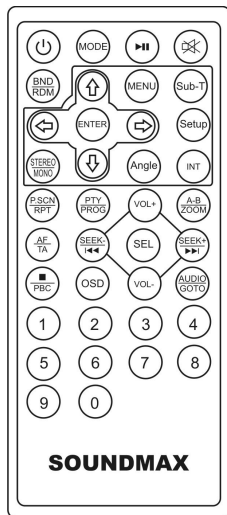


## SM-CMD3007



MULTIMEDIA DVD/CD/MP3 RECEIVER with built-in 3" TFT display  
Instruction manual

**МУЛЬТИМЕДИЙНЫЙ DVD/CD/MP3-РЕСИВЕР**  
**со встроенным 3" TFT-дисплеем**

Руководство по эксплуатации

Dear customer!

Thank you for purchasing our product. For safety, it is strongly recommended to read this manual carefully before connecting, operating and/or adjusting the product and keep the manual for reference in the future.

## Table of contents

---

Table of contents .....	2
Important safeguards .....	3
Accessories .....	4
Installation/connection .....	5
Unit controls .....	10
General operations .....	14
Radio operations .....	17
Disc/USB/SD/MMC operations .....	21
DVD Setup menu .....	26
Handling and cleaning discs .....	29
Troubleshooting guide .....	30
Specification .....	31

## Important safeguards

---

- Read carefully through the manual to familiarize yourselves with this unit.
- Keep this manual handy as a reference for operating procedures and precautions. Do not allow persons who have not read through this manual to use this unit.
- “CLASS 1 LASER PRODUCT”  
This product contains a laser diode of higher class than 1. Laser beams from the optical pickup are dangerous to the eyes. To ensure continued safety, do not remove any covers or attempt to gain access to the inside of the product. Refer all servicing to qualified personnel.
- Do not allow this unit to come into contact with liquids. Electrical shock could result. Also, damage to this unit, smoke, and overheating could result from contact with liquids or dust. Protect this unit from moisture.
- Make sure that foreign objects do not get inside the unit; they may cause malfunctions, or create safety hazards such as electrical shock or laser beam exposure.
- The beginning of operation is the moment of the unit installation. Before use the device in winter it is recommended to heat up the passenger compartment during 20 seconds or to the operation temperature.
- Using the unit with the temperature that goes beyond the operation temperature greatly decreases the operation resource of the screen and other components of the unit and can result in an outage.
- Disconnect the vehicle's negative battery terminal while mounting and connecting the unit.
- The unit is designed for negative terminal of the battery, which is connected to the vehicle metal. Please ensure it before installation.
- When replacing the fuse, be sure to use one with an identical amperage rating. Using a fuse with a higher amperage rating may cause serious damage to the unit.
- Do not allow the speaker wires to be shorted together when the unit is switched on. Otherwise it may overload or burn out the power amplifier.
- Make sure you disconnect the power supply and aerial if you will not be using the system for a long period or during a thunderstorm.

- Make sure you disconnect the power supply if the system appears to be working incorrectly, is making an unusual sound, has a strange smell, has smoke emitting from it or liquids have got inside it. Let a qualified technician check the system.
- Always keep the volume low enough so that you can hear sounds from outside the vehicle.
- Should this product fail to operate properly, contact your dealer or nearest service center.

Accessories

---

1. Receiver	1 pc
2. Remote controller	1 pc
3. Protective case for front panel	1 pc
4. ISO cable set (A+B)	1 pc
5. Mounting parts:	
Mounting sleeve	1 pc
Flat washer	1 pc
Spring washer	1 pc
Nut	1 pc
Outer trim ring	1 pc
Release keys	2 pcs
Metal strap	1 pc
Screw	4 pcs
Rear mounting bolt	1 pc
Rubber cushion	1 pc
6. Consumer information	1 pc
7. Warranty card	1 pc
8. Instruction manual	1 pc

## Installation/connection

---

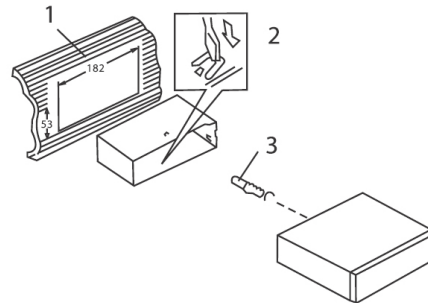
- Choose the mounting location where the unit will not interfere with the normal driving function of the driver.
- Before finally installing the unit, connect the wiring and make sure that the unit works properly.
- Consult with your nearest dealer if installation requires the drilling of holes or other modifications of the vehicle.
- Install the unit where it does not get in the driver's way and cannot injure the passenger if there is a sudden stop, like an emergency stop.
- If installation angle exceeds 30° from horizontal, the unit may not perform properly.
- Avoid installing the unit where it would be subject to high temperature, such as from direct sunlight, or from hot air, from the heater, or where it would be subject to dust, dirt or excessive vibration.

### Din Front/Rear-Mount

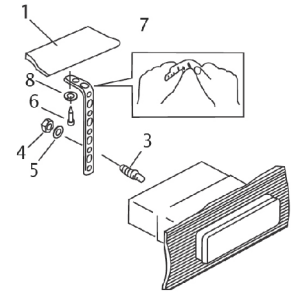
This unit can be properly installed either from 'Front' (conventional DIN Front-mount) or 'Rear' (DIN Rear-mount installation, utilizing threaded screw holes at the sides of the unit chassis). For details, refer to the following illustrated installation methods.

#### DIN FRONT-MOUNT (Method A)

1. Car dashboard
2. Sleeve
3. Screw
4. Nut
5. Spring washer
6. Screw
7. Metal strap
8. Flat washer



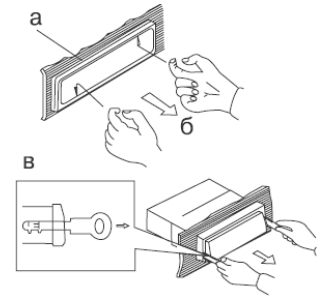
1. Install the sleeve into the dashboard; ensure it is installed with the correct side and there are no obstacles (wires, dashboard elements, etc) for the unit installation.
2. After installing the sleeve into the dashboard, bend tabs fitting to the size of the dashboard to fix the sleeve in place.
3. Use the metal strap to fix the rear side of the unit. Determine a place for fixing and install the strap as shown in the picture. You can bend the strap to the needed angle with your hands.
4. Make the necessary wire connections. Ensure the connections are correct.
5. Install the unit into the sleeve until the side locks are fixed.



## Dismantling the unit

- a – Trim frame
- b – Frame uninstal direction
- B – Release key insertion

1. Switch off the unit and detach the front panel.
2. Insert your fingers into the groove in the front side of the trim frame (apply some effort to detach the frame). Pull the frame to detach it.
3. Insert the supplied release keys into the both sides of the unit body to click, as shown in the picture. To extract the unit from the dashboard, pull the release keys or the unit body to pull it out. Before detaching the unit, ensure it is not fixed with the metal strap.



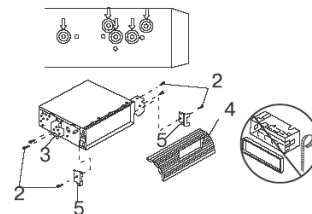
## Trim frame installation

To install the trim frame, press it to the unit body and push it to fix it in place. This should be done before installing the front panel; otherwise you are not able to install the trim frame. When the trim frame being installed, the side with the groove should face down and fixed first.

## 2. DIN REAR-MOUNT (Method B)

For this method, use the screw holes in the lateral sides of the unit. Fix the unit with the help of the factory radio mounting brackets.

1. Select a position in which the screw holes of the brackets (3) are aligned with the screw holes in the unit body, and screw in two screws (2) in each side.
2. Screw.
3. Factory radio mounting brackets.
4. Vehicle dashboard.
5. Lock (remove this part).



Note: The outer trim frame and mounting sleeve are not used for method of installation.

## Installing the front panel

Insert the left locker on the receiver into the left groove of the panel, and then insert the right locker into the right groove. Lift the panel and press on the upper part of the panel until a click. Ensure the panel is fixed properly, otherwise error symbols may be displayed or some buttons will not function.

To detach the front panel, press OPEN button. When the panel is in horizontal position, detach the left part of the panel from the locker, and then detach the right part.

## Anti-theft system

The front panel of this unit can be stored in the included protective case when not in used and carried away when you leave the vehicle to deter theft.

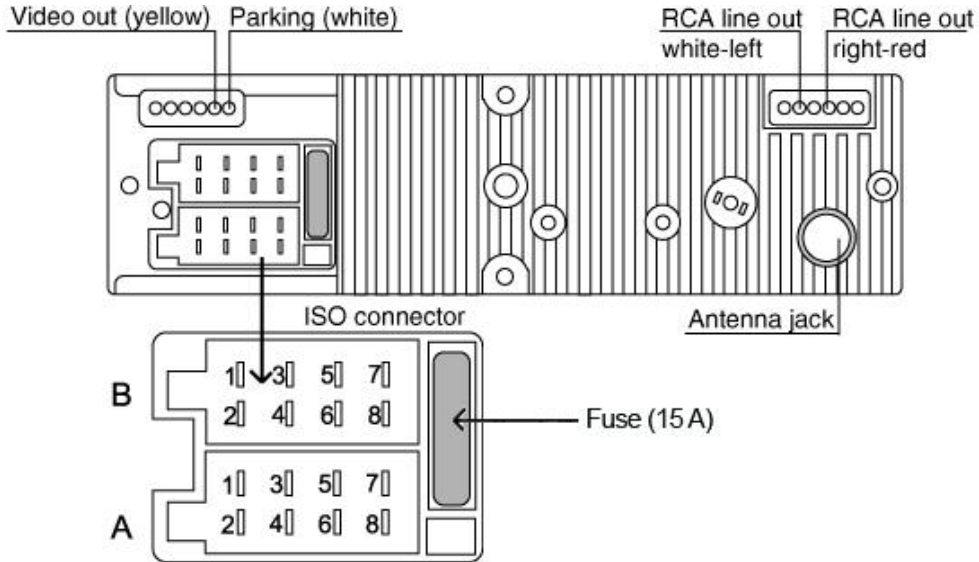
Switch off the power of the unit. Detach the front panel, then put it to the protective case and take it with you.

Cautions: The control panel can easily be damaged by shocks. After removing it, place it in a protective case and be careful not to drop it or subject it to strong shocks.

The rear connector that connects the main unit and the control panel is an extremely important part. Be careful not to damage it by pressing on it with fingernails, pens, screwdrivers, etc.

Note: If the control panel is dirty, wipe off the dirt with soft, dry cloth only. And use a cotton swab soaked in isopropyl alcohol to clean the socket on the back of the control panel.

## Electrical Connection



### Connector A

1. -
2. -
3. -
4. Memory +12V
5. Auto antenna output
6. -
7. +12V (to ignition key)
8. Ground

### Connector B

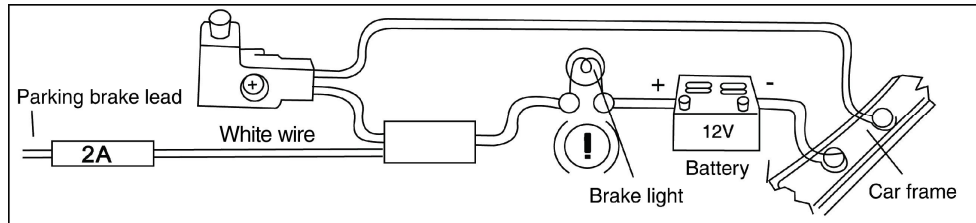
1. Rear right speaker (+)
2. Rear right speaker (-)
3. Front right speaker (+)
4. Front right speaker (-)
5. Front left speaker (+)
6. Front left speaker (-)
7. Rear left speaker (+)
8. Rear left speaker (-)

## ISO Connection table

Location	Function	
	Connector A	Connector B
1	-	Rear right (+) - Purple
2	-	Rear right (-) - Purple/Black
3	-	Front right (+) - Grey
4	Battery +12V/Yellow	Front right (-) - Grey/Black
5	Auto Antenna - Blue	Front left (+) - White
6	-	Front left (-) - White/Black
7	Ignition/Red	Rear left (+) - Green
8	Ground/Black	Rear left (-) - Green/Black

Note: Power antenna wire is intended for power supply of the antenna and for remote control of an additional amplifier.

## Parking wire connection

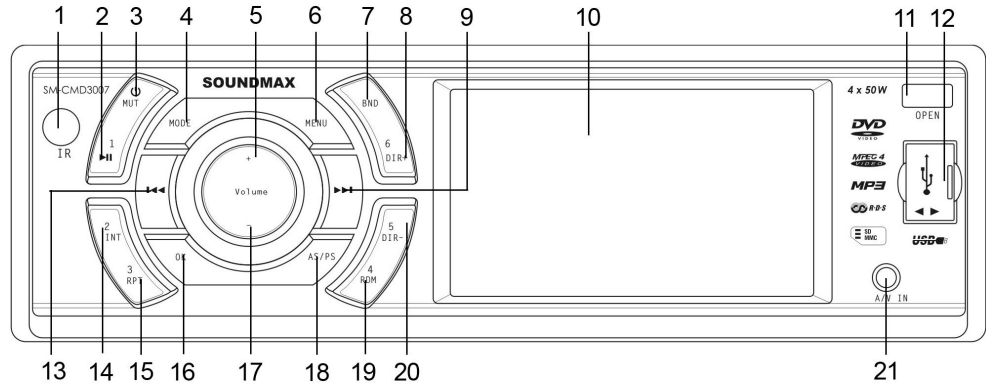


If Parking cable is connected to hand brake switch, the video display of the TFT monitor will be controlled by driving status, system setup and input video sources. When the car is moving ahead, if the video disc is played, the screen shows "Attention! You cannot use this function while driving", and blank screen. The above warning screen will prevent the driver from watching images.

## Unit controls

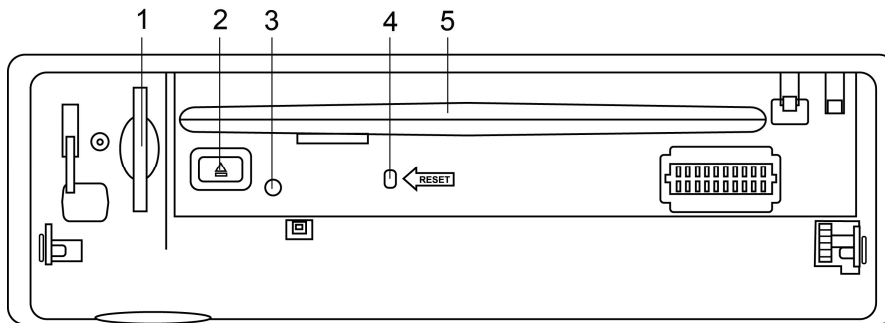
### Front panel

1. IR sensor
2. 1/PLAY/PAUSE button
3. POWER/MUTE button
4. MODE button
5. VOLUME+ button
6. MENU button
7. BND button
8. 6/DIR+ button
9. NEXT button
10. TFT display
11. OPEN button
12. USB port
13. PREVIOUS button
14. 2/INT button
15. 3/RPT button
16. OK button
17. VOLUME- button
18. AS/PS button
19. 4/RDM button
20. 5/DIR- button
21. A/V in jack



## Inner panel

1. Memory card slot
2. Eject button
3. Panel status indicator
4. RESET button (hole)
5. Disc loading slot

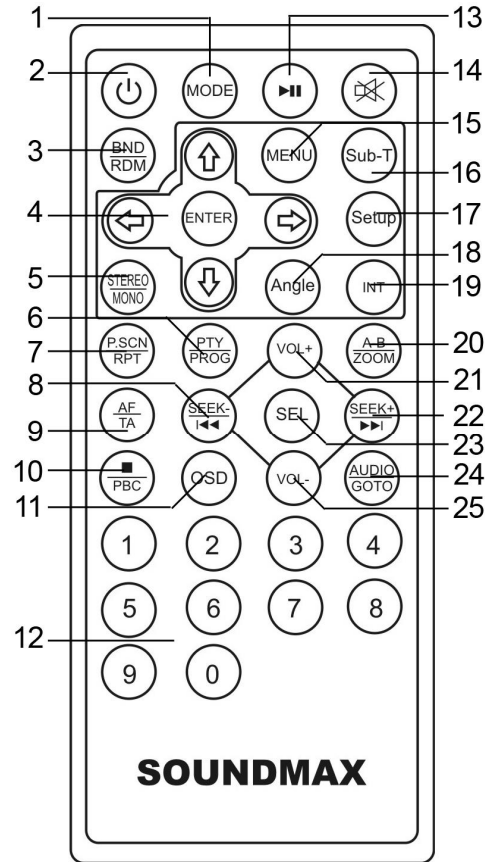


Pressing RESET hole will erase the clock setting and stored stations.

Panel status indicator lights up when you flip down the panel and flashes when you remove the panel.

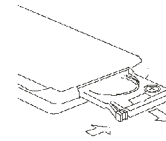
## Remote controller (RC)

1. MODE button
2. PWR button
3. BND/RDM button
4. ENTER button/Cursor buttons
5. STEREO/MONO button
6. PTY/PROG button
7. P.SCN/RPT button
8. SEEK-/PREVIOUS button
9. AF/TA button
10. STOP/PBC button
11. OSD button
12. Number buttons
13. PLAY/PAUSE button
14. MUTE button
15. MENU button
16. SUB-T button
17. SETUP button
18. ANGLE button
19. INT button
20. A-B/ZOOM button
21. VOL+ button
22. SEEK+/NEXT button
23. SEL button
24. AUDIO/GOTO button
25. VOL- button

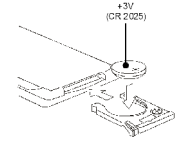


## Changing the battery

1. Press the catch and at the same time pull out the battery tray (pic. 1).
2. Insert the 1 lithium battery, type CR2025 (3V) battery with the stamped (+) mark facing upward. Insert the battery tray into the remote controller (pic.2).



Pic. 1



Pic. 2

## Warning:

- Store the battery where children cannot reach. If a child accidentally swallows the battery, consult a doctor immediately.
- Do not recharge, short, disassemble or heat the battery or dispose it in a fire.
- Do not expose or bring into contact the battery with other metallic materials. Doing this may cause the battery to give off heat, crack or start a fire.
- When throwing away or saving the battery, wrap it in tape and insulate; otherwise, the battery may give off heat, crack or start a fire.
- Please direct the Remote controller to the IR sensor of the front panel.

## General operations

---

### Reset the unit

Operating the unit for the first time or after replacing the car battery, you must reset the unit. Press RESET button (hole) with a pointed object (such as a ballpoint pen) to set the unit to initial state.

Note: When some errors occur, you can also press RESET button to resume to normal, and it will erase the clock setting and some memorized functions.

### Turning the unit on/off

Press any button on the panel or the RC (except OPEN button) to turn on the unit. Press and hold POWER/MUT button on the panel or press POWER button on the RC to turn off the unit.

### Mode selection

Repeatedly press MODE button on the RC or on the panel to select a mode: Tuner => DVD => USB => Card => AV IN.

Note: The DVD, Card and USB modes are only available when corresponding storages are inserted into the unit.

### Mute function

Press MUTE button on the RC or POWER/MUT button on the panel to turn off the sound. "MUTE" appears on the TFT. Press the button again or adjust volume to resume the sound output.

### Volume control

Press VOL+/VOL- buttons on the RC or VOLUME+/VOLUME- buttons on the panel to decrease or increase sound volume level.

### Setting the sound characteristics

Press and hold OK button on front panel or press SEL button on the RC to select the audio setting menu: BASS => TREBLE => BALANCE => FADER => EQ. Press UP/DOWN cursor buttons on the RC or VOLUME +/-

button on the panel to select the audio setting item. Press ENTER button or RIGHT cursor button on the RC or OK button on the panel to enter the selected item.

Press LEFT/RIGHT buttons on the RC or VOLUME+/VOLUME- buttons on the panel to adjust the audio setting. Press and hold OK button on the panel or press SEL button on the RC again to save the setting and return to current mode.

Note: If turn off the power, all the settings of each mode will be saved. If turn off the ACC power, all the settings will be clear and become factory default setting. If you don't adjust setting within 3 seconds after selecting the desired setting item, the unit will automatically return to the current mode.

### System setup

Press MENU button on the panel or RC to enter Setting Menu. Press UP/DOWN cursor buttons on the RC or VOLUME+/- buttons on the panel to select a menu page. Press ENTER button or RIGHT cursor button on the RC or press OK button on the panel to enter the page. Press LEFT/RIGHT cursor buttons on the RC or VOLUME+/VOLUME- buttons on the panel to select an item, then press OK button on the RC or SEL button on the panel to adjust the setting.

Press ENTER button or RIGHT button on the RC or OK button on the panel to confirm, press MENU button to return to last settings list.

### AUDIO MENU

- Bass: Support 10 levels. Default level is 0.
- Treble: Support 10 levels. Default level is 0.
- Balance: Support 10 levels for each left and right channel. Default is left equal to right.
- Fader: Support 10 levels for each front and rear channel. Default is front equal to rear.
- EQ DSP: FLAT => CLASSICS => POP => ROCK => DSP OFF.

### PICTURE MENU (available in DVD/USB/Card modes only)

- Red: Adjust level of red color. Support 50 levels. Default level is 25.
- Green: Adjust level of green color. Support 50 levels. Default level is 25.
- Blue: Adjust level of blue color. Support 50 levels. Default level is 25.
- Brightness: Adjust level of screen brightness. Support 50 levels. Default level is 25.
- Contrast: Adjust level of screen contrast. Support 50 levels. Default level is 25.

- Sharpness: Adjust level of screen sharpness. Support 15 levels. Default level is 10.
- Screen: Adjust screen aspect: 16:9 => 4:3 => FULL.
- Color reset: Resume color default status. (Select YES or NO with cursor buttons, press ENTER button on the RC or OK button on the panel to confirm).

## EXPERT MENU

- DX: Set search radio station by DX or LOCAL mode. DX => LOCAL.
- Stereo: Set radio audio at STEREO or MONO mode, STEREO => MONO.
- Beep: Set press keys' sound. 2ND => ALL => OFF.
- Loud: Set loudness on or off. OFF => ON.
- Backlight: Set OSD backlight: HIGH => LOW => MID.
- OSD color: Set OSD color: DARK BLUE => VIOLET => LIGHT BLUE.

## CLOCK MENU

- Clock: Set CLOCK display time or not. OFF/ON.
- Clock Hour: set clock 12H/24H.
- Clock adjust: Set CLOCK ADJUST time.

## Radio operations

---

### Band selection

Press BND/RDM button on the RC or BND button on the panel to switch to the bands in the following order: FM1 - FM2 - FM3 (OIRT) – MW (AM).

### Manual/automatic tuning

- Manual tuning: Press and hold PREVIOUS/NEXT buttons on the RC or panel to enter manual tuning mode. MANUAL will be displayed. Press these buttons repeatedly to change the frequency upward or downward step by step.
- Automatic tuning: Press repeatedly PREVIOUS/NEXT buttons on the RC or panel to start automatic seeking for an available radio station downward or upward. After being found the station will be played. To stop seeking, press one of these buttons again.

### Programming stations

There are 6 numbered preset buttons, under which you can store and recall stations for each band (18 FM, 6 AM). Select the needed station, then press and hold a preset button. The station will be saved in the memory under the corresponding number. To recall a stored station, press the corresponding preset button.

### Auto memory store/Preset scan

Auto store: Select a band, press and hold AS/PS button on the panel or P.SCN/RPT button on the RC to enter auto store mode. The radio will automatically store 6 stations to the 6 preset memories of the current band. To stop auto store, press the button again.

Note: During auto station preset, the unit will search and store stations with the strong signal first, and then weaker signal stations until the memories are full.

Preset scan: Select a band, press AS/PS button on the panel or P.SCN/RPT button on the RC to scan all preset stations in the memories of the current band. To stop preset scan, press the button again.

### Stereo/Mono reception

In FM mode, press STEREO/MONO button on the RC to select stereo or mono signal reception mode.

### On-screen display

Press OSD button on the RC to show enabled PTY function icon.

### RDS background

RDS service availability varies with areas. Please understand if RDS service is not available in you area, the following service is not available.

### AF (Alternative frequencies) function

Press and hold AF/TA button on the RC or BND button on the panel to enable AF function. When the radio signal strength is poor, enabling the AF function will allow the unit to automatically search another station with the same PI (Program Identification) as the current station but with stronger signal strength.

Note: AF indicator on the display will flash until RDS information is received. If RDS service is not available in your area, turn off the AF mode.

### TA (Traffic alarm) function

Press AF/TA button on the RC or press and hold MODE button on the panel to activate the traffic alarm function.

When TA function is activated, it will search the station with TA information automatically. If there is no TA information, it will search the station with TP information automatically, if there is no TP information either, it will return to the previous station after searching.

When receiving the station with TP information but without TA information, TP icon is on and TA icon keeps blinking; when receiving the station with TP and TA information, both TP and TA icons are on.

When playing in other mode and TA information is received, it will change to the radio mode automatically. After playing over, it will return to the previous mode. Press AF/TA button on the RC or press and hold MODE button on the panel once to ignore the received TA information, do it twice to turn off the function.

## PTY (Program type) function

Press PTY/PROG button on the RC to open PTY program type list, and repeat pressing PTY/PROG button to select a PTY type. After selecting the program type you want, press number buttons 1 - 6 on the RC or on the panel to start search. Press it again to stop the PTY search. If PTY code is different or not available, "PTY NONE" blinks on the display.

## Other functions

Press MENU button on the panel or RC to enter Setting Menu. Press UP/DOWN cursor buttons on the RC or VOLUME+/- buttons on the panel to select RDS SETUP page. Press ENTER button or RIGHT cursor button on the RC or press OK button on the panel to enter the page. Press LEFT/RIGHT cursor buttons on the RC or VOLUME+/VOLUME- buttons on the panel to select an item, and then press OK button on the RC or SEL button on the panel to adjust the setting.

Press ENTER button or RIGHT cursor button on the RC or OK button on the panel to confirm, press MENU button to return to last settings list.

### RDS SETUP

- TA ALARM/SEEK: In TA SEEK mode, the unit will seek for traffic announcement program; in TA ALARM mode, the alarm is set off.
- PI SOUND/MUTE: Choose either PI sound or PI mute. PI sound refers to the reception noise when the AF function tries to scan alternative frequency.
- RETUNE S/L: RETUNE refers to the time period the unit allows for radio scan when reception is interrupted. SHORT represents a time period of 30 seconds and LONG represents a time period of 90 seconds.
- MASK DPI/ALL: During MASK DPI mode, the unit will mask only the AF which has different PI, this is the default mode; during MASK ALL mode, the unit will mask the AF which has different PI and no RDS signal with high field strength.
- EON TA DX/LOCAL: EON (Enhanced Other Networks) - This unit is equipped with the latest technology of EON control, so that when you are listening to Radio or CD, if there is any travel announcement from a nearby local station, the radio will already know the frequency of that radio station. Then it will receive the station, turn up the volume, or interrupt the playback for the duration of the

announcement. At the end of the announcement the radio will return to its previous state ready for the next announcement.

- REG ON/OFF: When REG is available (On), the receiver accepts regional variants of the tuned station display. When REG is unavailable (Off), the receiver ignores regional variants.
- TA VOL: You can set the default volume of TA announcement. Support 50 levels. Default level is 50.

## Disc/USB/SD/MMC operations

---

### USB/SD/MMC notes

USB functions (flash memory type) MP3 music play.

SD/MMC card support, 2 in 1 (SD/MMC) support.

USB flash memory.

FAT 12/ FAT 16/ FAT 32 is possible

- FAT 12/16 (dir: 200 support, file: 500 support),
- FAT 32 (dir: 200 support, file: 500 support).
- Filename: 32 byte/ Dir name: 32 byte.
- Tag (id3tag ver2.0).
- Title/ Artist/ Album: 32 byte support.

Multi card reader not support. USB 2.0 support.

Note: USB format supports 2.0. Capacity: up to 8 Gb.

For correct and satisfactory operation, licensed SD/MMC memory cards of famous brands should be used with this unit. Avoid using memory cards of unknown brands. Capacity: up to 8 Gb.

### Insert/Eject disc

- Open the front panel and insert a disc into the disc slot with label side up. The disc will be automatically loaded into the unit. The first file in the root folder will be played. Close the front panel.
- Open the front panel and press EJECT button to eject the disc from the slot. If the disc is not removed from the slot within several seconds, it will be automatically loaded into the slot again. When the disc is ejected and removed, the unit will automatically switch to another mode.

### Inserting an SD/MMC card/USB device

Open the front panel and insert an SD/MMC memory card into the card slot. Open the USB slot cover on the front panel and insert a USB into the USB slot. Then the playing mode will be changed into Card or USB mode automatically. The first card/USB device track playback will start.

Note: When SD/MMC card and USB device are both inserted, the playing mode will be changed into the mode of the device inserted later.

### Play/pause

The unit will automatically play from the first sound track recorded on a disc/SD/MMC/USB device. To ensure good system performance, wait until the unit finishes reading the disc/device information before proceeding. Press PLAY/PAUSE button on the RC or 1/PLAY/PAUSE button on the panel to pause playback, press it again to resume playback.

### MP3/DivX/JPEG file playback

When you insert a storage containing MP3/DivX/JPEG file, the screen will show following interface:

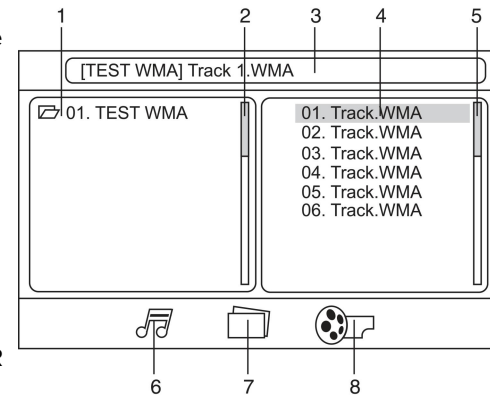
1. Storage folder list
2. Scroll bar
3. Current playback info
4. Current folder content (current file is highlighted)
5. Scroll bar
6. Audio track selection
7. Image file selection
8. Video file selection

Use cursor buttons to navigate in the interface and press ENTER button to confirm your selection.

Note: Manufacturer guarantees regular playback of licensed discs only. Some AVI files cannot be played due to their parameters and recording conditions. Video files more than 2 Gb having AVI extension can be played partially.

### Stop playback

During playback of a disc/USB/SD/MMC card, press STOP/PBC button on the RC or press and hold 1/PLAY/PAUSE button on the panel to stop the playback. Press PLAY/PAUSE button on the RC or on the unit



to start playback again. Playback will resume from the point it was stopped at. If you press STOP/PBC button on the RC or press and hold 1/PLAY/PAUSE button on the panel twice, playback will stop completely and can be resumed only from the beginning of the disc.

#### Selecting tracks

During playback press PREVIOUS button to play the beginning of current track, press it again to play the previous track. Press NEXT button to play the next track. Press number buttons (0-9) on the RC to select the desired track/chapter.

#### Fast forward/rewind

Press and hold PREVIOUS or NEXT buttons repeatedly for fast backward or forward playing correspondingly. With each pressing and holding playback speed will increase. While fast playback, press PLAY/PAUSE button to resume normal speed.

Note: When fast backward/forward playback reaches the previous or next track, the unit will resume normal playback.

#### A-B segment repeat

Press A-B/ZOOM button to set point A, press one more time to set point B and start A-B repeating. Press this button one more time to cancel the repeating function.

#### Repeat playback

Press P.SCAN/RPT button repeatedly for repeat playing in different modes: track/chapter repeat, folder repeat, disc repeat, repeat cancel (depending on the format used).

#### Intro playback

Press INT button on the RC or 2/INT button on the panel to activate introduction function. Several initial seconds of each track will be played. Press the button again to cancel intro playback.

## GOTO

Press and hold AUDIO/GOTO button to show the playback parameters for the current chapter/track/time (track/title/chapter number or time). Press cursor buttons to navigate between the parameters and use number buttons to input needed settings. Press OK button on the panel or ENTER button on the RC to start playback from the set number or time.

## Random playback

Press BND/RDM button on the RC or 4/RDM button on the panel to activate random playing mode. Press one more time to return to normal playing.

## Programming the playback

- Press PTY/PROG button to open program menu.
- Use cursor buttons to select the program position and use number buttons to input the desired track/title/chapter (depending on the disc type).
- Press PLAY/PAUSE button on the RC or on the panel to start program play, or move the cursor to select PLAY and press ENTER button on the RC or OK button on the panel to play.
- Move the cursor to CLEAR, press ENTER button on the RC or OK button on the panel to delete the programmed list. Press PTY/PROG button to quit programming.

## OSD (On Screen Display) function

Press and hold OSD button on the RC repeatedly to show current playback information, such as number of track/chapter/title, current track/chapter/title time elapsed/remaining, total track/chapter/title time remaining (depending on the disc type).

## Folder selection

Press 6/DIR+ or 5/DIR- buttons to select next or previous folder correspondingly.

## Zooming in/out

During playback of video or images on disc/USB/SD/MMC, press and hold repeatedly A-B/ZOOM button on the RC, the picture will be zoomed in the sequence: X2 => X3 => X4 => X1/2 => X1/3 => X1/4 => Normal.

### PBC (Playback Control) function (for VCD only)

This function is only available for the VCD with PBC function.

Press and hold STOP/PBC button on the RC to set PBC on/off; when PBC is off, the screen will show PBC menu if you switch PBC on. If the menu consists of a list of titles, you can select a desired one using number buttons on the RC.

### Changing angle (for DVD only)

Press ANGLE button on the RC to playback images at different camera angles. If a disc doesn't support multi-angle playback, this function will not work.

### Selecting audio language (for DVD only)

During DVD disc playback, press AUDIO/GOTO button on the RC repeatedly to select the audio language to listen. This function will not work if a disc does not support multi-language audio.

### Selecting subtitle language (for DVD only)

If your DVD disc supports multi-language subtitle, press SUB-T button on the RC repeatedly to switch among disc-supported languages.

### Selecting sound channel (for VCD only)

During VCD disc playback press AUDIO/GOTO button on the RC to select the channel: MONO L => MONO R => MIX MONO => STEREO.

### Menu navigation (for DVD only)

Press and hold MENU button on the RC or on the panel to activate the disc menu list on the screen. Choose the desired item. Press ENTER button or PLAY/PAUSE button on the RC or OK button on the panel to confirm the selected item and start playing.

Note: Title and menu are only available if the disc has these functions.

### ID3 Tag function

If a MP3 file has ID3 Tag information in the supported ID3 format, such information will be displayed on the LCD while playback

## DVD Setup menu

Press SETUP button on the RC to display setup screen, use LEFT/RIGHT cursor buttons and ENTER button to select the desired setup page: System, Language, Audio, Video, Digital. In the selected page select an option using UP/DOWN cursor buttons, then press RIGHT cursor button to go to setting list. Use UP/DOWN cursor buttons to select the needed setting. Press ENTER button on the RC or OK button on the panel to confirm.

### System setup

- TV system

Select the TV system in the setting menu (NTSC, PAL, PAL-60, AUTO).

- Screen saver

The screen saver appears if disc stops for more than 3 minutes.

Original setting: On.

- Video

Interlace-S-Video

- TV type

Select TV type to watch wide screen movies.

4:3 PS: For 4:3 TV, left and right edges will be cut.

4:3 LB: For 4:3 TV, black bars will appear on top and bottom.

16:9: For 16:9 wide screen TV.

- Password

Original password is 0000.

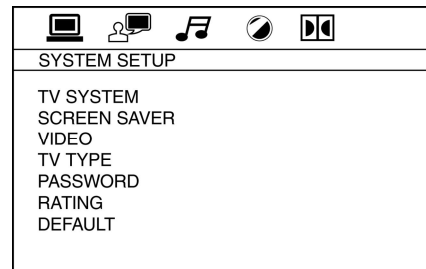
- Rating

The rating of the disc is from 1 to 8:

1 (KID SAFE) with the most limits when playing.

8 (ADULT) with the least limits when playing.

Original setting: 8.



Note: The rating can be selected only under the password unlocked status, and the limits can be worked only under the password locked status.

- Default

If this item is selected, the unit will return to original setting.

### Language setup

- OSD language

Select the language to be used for the on-screen display.

- Audio language

Select the language to be used for the audio. You can select a preferred audio from those included on the DVD video disk.

- Subtitle language

Select the language to be used for the Subtitles. You can select a preferred subtitle from those included in the DVD Video disk.

- Menu language

Select the language to be used for the Menu. You can select a preferred audio from those included on the DVD.

- DivX [R] VOD

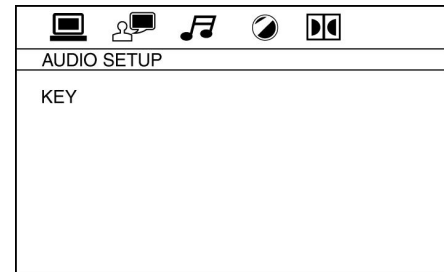
This item is to show you DivX registration code.



### Audio setup

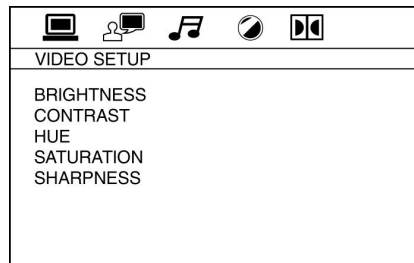
- Key

Select key up/down according to your preference.



### Video setup

Set a parameter with UP/DOWN cursor buttons: Brightness, Contrast, Hue, Saturation, Sharpness.



### Digital setup

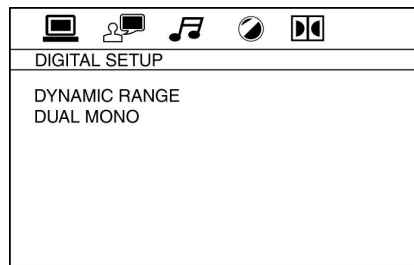
- Dynamic range

If watching large dynamic scope movie program at night, selecting this mode you can reduce the volume to a very low level, at the same time, to keep the fine details sound. In this case, this doesn't disturb the family and keep the quality sounds.

When select FULL, the audio signal is minimal; when select OFF, the audio signal is maximal.

- Dual mono

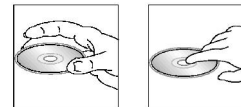
Select the audio channel from STEREO, MONO L, MONO R and MIX MONO.



## Handling and cleaning discs

---

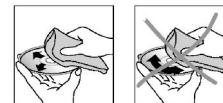
- Dirty, scratched or warped discs may cause skip ping or noise.
- Handle the disc only by the edges. To keep clean do not touch its surface.
- Discs should be stored in their cases after use to avoid scratches.
- Do not expose discs to direct sunlight, high humidity, high temperature or dust.
- Prolonged exposure to extreme temperature can warp the disc (such as leaving the discs in your car during summertime).
- Do not stick or write anything on either side of disc. Sharp writing instruments, or the inks used in some felt-tip pens, may damage its surface.
- Do not touch the unlabeled side. Do not attach any seal, label or data protection sheet to either side of a disc.



### Cleaning

#### Cleaning the cabinet

Wipe with a soft cloth. If the cabinet is very dampen (not dropping wet) the cloth with a weak solution of soapy water, and then wipe clean.



#### Cleaning discs

Fingerprints should be carefully wiped from the surface of disc with a soft cloth. Unlike conventional records, compact discs have no grooves to collect dust and macroscopic dirt, so gently wiping them with a soft cloth should remove most particles. Wipe in a straight motion from the center to the edge.

Never use thinner benzene, record cleaner or anti static spray on a compact disc. Such chemicals can damage its plastic surface.

## Troubleshooting guide

Below is a table describing simple measures that can help you eliminate most problems likely to emerge when this unit is in use. If below measures do not help, turn to a service center or to the nearest dealer.

Symptom	Cause	Solution
No power	The car ignition is not on.	If the power supply is properly connected to the car accessory switch the ignition key to "ACC".
	The fuse is blown.	Replace the fuse.
No sound	Volume is on minimum.	Adjust volume to a desired level.
	Wiring is not properly connected.	Check wiring connection.
Bad sound quality	The installation angle is more than 30 degrees.	Adjust the installation angle to less than 30 degrees.
	The disc is extremely dirty or defective.	Clean the compact disc/try to play a new one.
Disc cannot be loaded or ejected	The unit already contains a disc.	Remove the disc in the player then put a new one.
	Moisture condensation.	Leave the unit idle for an hour, then retry.
Disc cannot be read	The disc is inserted upside down.	Insert the compact disc with the label side facing upward.
	Compact disc is extremely dirty or defective.	Clean the disc or try to play a new one.
	Temperature inside the car is too high.	Cool off until the ambient temperature returns to normal.
Buttons do not work	The built-in microcomputer is not operating properly.	Reset the unit with the help of RESET button.
	Front panel is not properly fix into its place.	Install the front panel properly.
The radio does not work	The antenna cable is not connected.	Insert the antenna cable properly.
The radio station automatic tuning does not work	The signals are too weak.	Select stations manually.

## Specification

General	
Power supply:	12 V DC
Maximum power output:	4 x 50 W
Storage support:	DVD/DVD±R/DVD±RW/CD/CD-R/CD-RW/USB/SD/MMC
Compatible formats:	DVD/DVCD/SVCD/VCD/HDCD/MP3/CDDA/Picture-CD/Photo-CD/JPEG/MPEG4 (DivX)
Unit dimensions/Net weight:	170 x 178 x 50 mm/1.55 kg
Gift box dimensions/Gross weight:	235 x 285 x 103 mm/2.25 kg
ESP function:	40 sec. for Audio CD, 120 sec. for MP3
Temperature range:	-20°C - +60°C
TFT display	
Screen size:	3 inches
Resolution:	240 TV lines
Aspect ratio:	16:9
Contrast ratio:	400:1
Brightness:	250 cd/m <sup>2</sup>
View angle:	V: 120°, H: 120°
FM Radio	
Frequency range:	65.0 – 74.0/87.5 – 108.0 MHz
Usable sensitivity:	<15 dB
Preset memory stations:	18
AM Radio	
Frequency range:	522 kHz - 1620 kHz
Preset memory stations:	6

Specifications are subject to change without notice. Mass and dimensions are approximate.

**Уважаемый покупатель!**

Благодарим Вас за покупку нашего изделия. Для обеспечения безопасности рекомендуется тщательно изучить настоящее руководство перед подключением, эксплуатацией и/или регулировкой изделия и сохранять руководство для использования в будущем.

**Содержание**

---

Содержание .....	32
Меры предосторожности.....	33
Комплект поставки .....	34
Установка/подключение .....	35
Элементы управления .....	41
Общие операции .....	45
Операции с радио.....	48
Операции с дисками/USB-накопителями/картами памяти.....	52
Меню настройки DVD .....	58
Обращение с дисками .....	61
Руководство по устранению неисправностей .....	62
Технические характеристики .....	64

## Меры предосторожности

---

- Внимательно изучите данное руководство, чтобы ознакомиться с устройством.
- Держите данное руководство под рукой в качестве справочника по правилам эксплуатации и мерам предосторожности. Не допускайте к использованию устройства посторонних лиц, не ознакомившихся и не усвоивших данные инструкции по эксплуатации.

### ЛАЗЕРНЫЙ ПРОДУКТ КЛАССА 1

- Данное устройство оснащено лазерным диодом класса выше 1. Лазерные лучи, исходящие из блока оптической головки считывания информации с компакт-диска, опасны для глаз. В целях обеспечения полной безопасности не снимайте какие-либо крышки и не пытайтесь проникнуть внутрь устройства. Ремонт должен выполняться только квалифицированным специалистом.
- Не допускайте попадания жидкости на устройство. Это может повлечь поражение электрическим током. Кроме того, попадание жидкости или пыли в устройство может стать причиной его выхода из строя, перегрева и появления дыма. Оберегайте устройство от воздействия влаги.
- Убедитесь, что внутрь устройства не попали посторонние предметы. Они могут вызвать сбои в работе или стать причиной возгорания или поражения лазерным лучом.
- Началом эксплуатации устройства считается момент его установки в автомобиль. Перед началом использования устройства в зимний период рекомендуется прогреть салон автомобиля в течение 20 минут или до достижения эксплуатационного диапазона температуры устройства.
- Использование устройства при температуре, выходящей за рамки эксплуатационного диапазона температур, значительно снижает ресурс работы экрана и других компонентов устройства и может привести к выходу устройства из строя.
- При установке и подключении устройства отключите отрицательную клемму аккумулятора автомобиля.
- Устройство разработано таким образом, чтобы отрицательный вывод аккумулятора был подключен к корпусу транспортного средства. Пожалуйста, убедитесь в этом перед установкой.
- При замене предохранителя, убедитесь, что вы устанавливаете предохранитель с тем же номиналом. Используя предохранитель с повышенным значением тока, можно причинить значительные повреждения устройству.
- Не позволяйте проводам динамиков соприкасаться друг с другом или с корпусом автомобиля после включения устройства. В противном случае усилитель может быть перегружен или выйти из строя.

- Убедитесь, что источник питания и антенна отключены, если Вы не будете пользоваться устройством в течение длительного времени или во время грозы.
- Убедитесь, что источник питания отключен, если обнаружена неправильная работа устройства, устройство издает нехарактерные звуки, запах, выделяет дым или внутрь его попала жидкость. В этих случаях необходим квалифицированный технический осмотр устройства.
- Не устанавливайте уровень громкости, заглушающий внешние звуки дорожной обстановки и сигналы специального автотранспорта.
- При неполадках в работе устройства свяжитесь с торговым представителем или с ближайшим сервисным пунктом.

## **Комплект поставки**

---

1. Ресивер	1 шт
2. Пульт дистанционного управления (ПДУ)	1 шт
3. Защитный футляр для передней панели	1 шт
4. Комплект ISO-кабелей (A+B)	1 шт
5. Детали для установки:	
Монтажный кожух	1 шт
Плоская шайба	1 шт
Пружинная шайба	1 шт
Гайка	1 шт
Декоративная рамка	1 шт
Ключи-съемники	2 шт
Металлическая пластина	1 шт
Винт	4 шт
Задний крепежный болт	1 шт
Резиновый предохранитель	1 шт
6. Информация для потребителя	1 шт
7. Гарантийный талон	1 шт
8. Руководство по эксплуатации	1 шт

## Установка/подключение

---

- Перед окончательной установкой устройства временно подключите все провода и убедитесь, что все соединения выполнены верно, а устройство и система работают правильно.
- Для обеспечения правильной установки устройства используйте только те детали, которые входят в комплект. Использование других приспособлений может привести к появлению сбоев в его работе.
- Если для установки устройства необходимо сверлить отверстия в кузове автомобиля или вносить какие-либо другие изменения в его конструкцию, проконсультируйтесь с продавцом.
- Устанавливайте устройство там, где оно не будет закрывать водителю обзор и отвлекать от дорожной обстановки и не сможет нанести травм пассажирам в случае внезапной остановки автомобиля, например, при экстренном торможении.
- Если при установке устройства угол относительно горизонтальной плоскости превышает 30°, рабочие характеристики проигрывателя могут быть не оптимальны.
- Никогда не устанавливайте устройство в таких местах, где оно будет подвергаться воздействию высокой температуры, например, в местах попадания прямых солнечных лучей, в местах выхода горячего воздуха от отопителя автомобиля, в местах, где очень грязно или пыльно, или там, где устройство будет подвергаться сильной вибрации.
- Перед установкой устройства обязательно снимите переднюю панель.

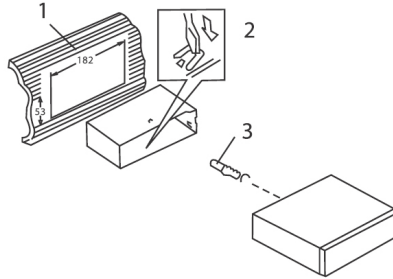
### **Установка устройства в приборную панель автомобиля «спереди» или «сзади»**

Данное устройство может быть установлено либо «спереди» (обычная установка стандарта DIN в приборную панель автомобиля), либо «сзади» (установка стандарта DIN, при которой используются отверстия на боковых сторонах корпуса проигрывателя, имеющие резьбу под винты). Более подробно методы установки А и Б описываются ниже.

## Установка устройства в приборную панель автомобиля «спереди» (Метод А)

### Установка устройства

1. Приборная панель автомобиля
2. Монтажный кожух.
3. Винт
4. Гайка
5. Пружинная шайба
6. Винт
7. Опорная планка.
8. Плоская шайба



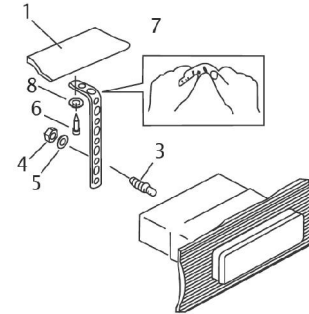
1. Установите монтажный кожух в приборную панель автомобиля, убедитесь, что он установлен правильной стороной и нет препятствий (провода, элементы приборной панели) для установки магнитолы.

2. После установки монтажного кожуха в приборную панель отогните на нем металлические язычки, соответствующие толщине приборной панели. Это позволит закрепить кожух на месте.

3. Обязательно используйте опорную планку для закрепления задней стороны проигрывателя. Определите место крепления и установите ее согласно приведенному рисунку. Планку можно согнуть руками под нужным углом.

4. Подключите необходимые провода и разъемы. Убедитесь в правильности подключения.

5. Установите магнитолу в монтажный кожух до фиксации боковых защелок.



## Снятие устройства

а – Декоративная рамка

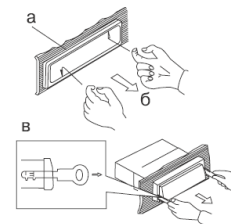
б – Направление снятия рамки

в – Установка ключей съемников

1. Выключите магнитолу и снимите переднюю панель.

2. Вставьте пальцы в канавку на передней стороне декоративной рамки (рамка снимается с небольшим усилием). Потяните рамку на себя, чтобы снять ее.

3. Вставьте входящие в комплект ключи съемники с обеих сторон корпуса устройства, как показано на рисунке, до щелчка. Для того чтобы извлечь устройство из приборной панели, потяните за съемники или магнитолу и вытяните её на себя (перед снятием убедитесь, что магнитола не зафиксирована с опорной планкой).



## Установка декоративной рамки

Для установки декоративной рамки прижмите ее к корпусу устройства и нажмите, чтобы вставить на место. Это необходимо сделать до установки передней панели, иначе вы не сможете установить декоративную рамку на место (При установке рамки на место направьте сторону с канавкой вниз и закрепите ее.).

## Установка устройства в приборную панель автомобиля «сзади» (Метод Б)

В данном случае установки используются отверстия для винтов на боковых сторонах устройства. Закрепите устройство с помощью штатных кронштейнов крепления радиоприемника.

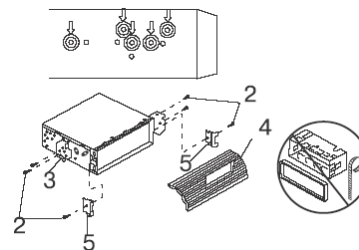
1. Выберите такое положение, в котором отверстия для винтов на кронштейне (3) будут совмещены с отверстиями для винтов на корпусе устройства и вкрутите по два винта (2) с каждой стороны.

2. Винт.

3. Монтажный кронштейн штатного радиоприемника.

4. Приборная панель или консоль автомобиля.

5. Защелка (снимите эту деталь).



**Примечание:** При установке по методу Б монтажный кожух и внешняя декоративная рамка не используются.

## **Установка передней панели**

Вставьте левый крепежный кронштейн ресивера в левый паз панели, затем вставьте правый кронштейн в правый паз. Поднимите панель и нажмите на верхнюю часть до щелчка. Убедитесь в том, что панель плотно закреплена в ресивере, иначе на дисплее могут отображаться символы ошибок или некоторые кнопки не будут функционировать.

Для отсоединения передней панели нажмите кнопку OPEN. Когда панель примет горизонтальное положение, отсоедините левую часть панели от крепежного кронштейна ресивера; затем отсоедините правую часть.

## **Система против кражи**

Если данное устройство не используется, переднюю панель можно отсоединить и поместить в защитный футляр, входящий в комплект поставки. Панель в футляре можно взять с собой, когда Вы покидаете автомобиль. Это позволяет избежать кражи панели.

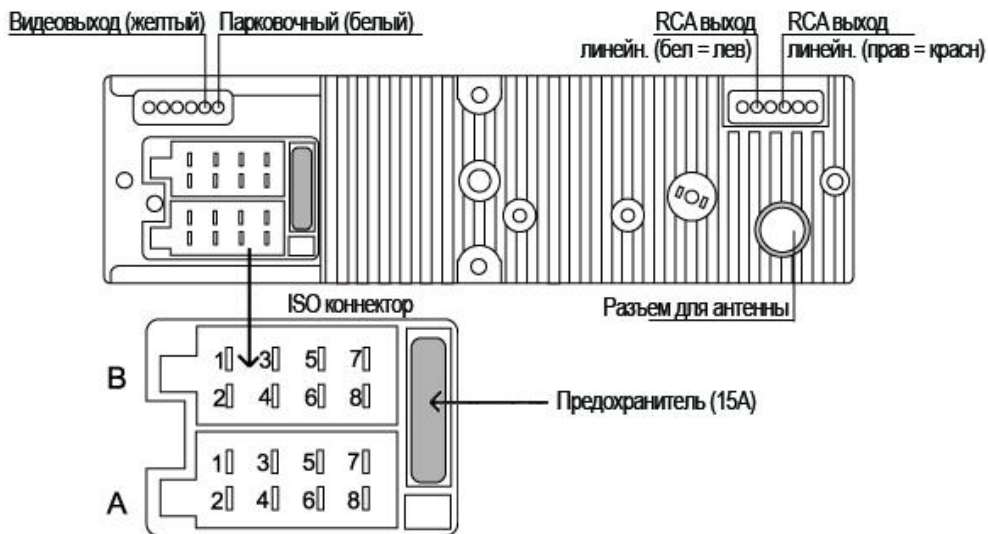
Отключите питание устройства. Снимите переднюю панель и поместите ее в предохранительный футляр.

**Внимание:** Панель может повредиться из-за внешних факторов: тряски, ударов. После снятия ее с устройства держите панель в защитном футляре и старайтесь не ронять и не наносить физических повреждений.

Очень важным элементом является коннектор на задней части панели. Не нажимайте на него ногтями, ручками, отвертками.

**Примечание:** Если панель загрязнилась или запылилась, протрите ее сухой чистой тканью. Для чистки разъема в задней части панели используйте тампон, смоченный изопропиловым спиртом.

## Схема электрических соединений



### Коннектор А

1. -
2. -
3. -
4. К аккумулятору +12В
5. Питание антенны
6. -
7. +12В (питание)
8. Заземление

### Коннектор В

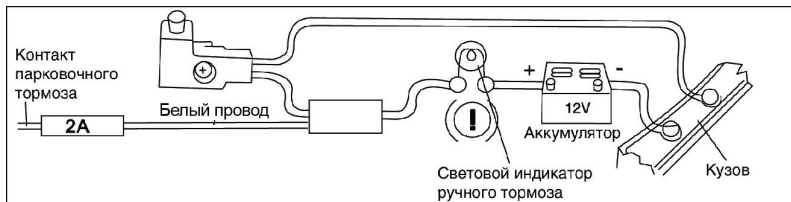
1. Тыловой правый динамик (+)
2. Тыловой правый динамик (-)
3. Фронтальный правый динамик (+)
4. Фронтальный правый динамик (-)
5. Фронтальный левый динамик (+)
6. Фронтальный левый динамик (-)
7. Тыловой левый динамик (+)
8. Тыловой левый динамик (-)

## Использование разъема ISO

Номер	Функция	
	Разъем А	Разъем В
1	-	Тыл. прав. динамик (+) - Фиолетовый
2	-	Тыл. прав. динамик (-) - Фиолет./Черный
3	-	Фронт прав. динамик (+) - Серый
4	Питание +12В/Желтый	Фронт прав. динамик (-) - Серый/Черный
5	Питание антенны/усилит. - Синий	Фронт лев. динамик (+) - Белый
6	-	Фронт лев. динамик (-) - Белый/Черный
7	Зажигание/Красный	Тыл. лев. динамик (+) - Зеленый
8	Заземление/Черный	Тыл. лев. динамик (-) - Зеленый/Черный

**Примечание:** Провод питания антенны предназначен для подачи питания на антенну и для удаленного управления дополнительным усилителем.

## Подключение парковочного провода

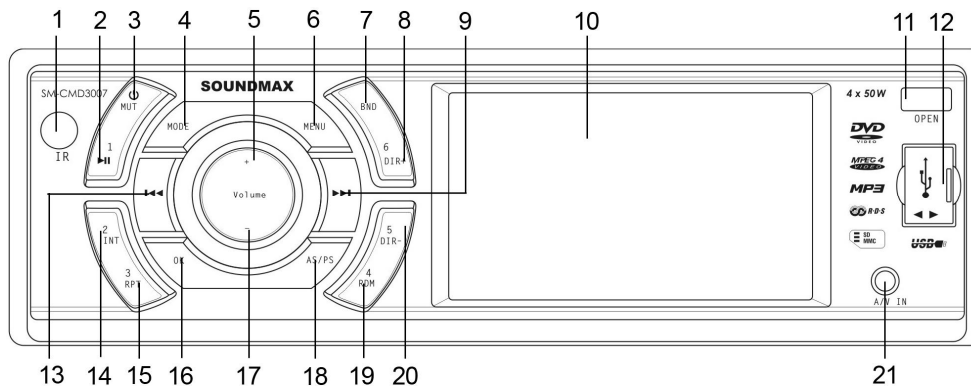


Если парковочный провод подсоединен к ручному тормозу, наличие видеобразия на дисплее будет зависеть от движения автомобиля, настроек системы и подключенных источников видео. При движении автомобиля вперед при воспроизведении видеодиска на дисплее отобразится предупредительная надпись "Attention! You cannot use this function while driving" ("Внимание! Использование этой функции невозможно во время вождения"), картинка будет отсутствовать; это позволит водителю не отвлекаться от управления автомобилем.

## Элементы управления

### Передняя панель

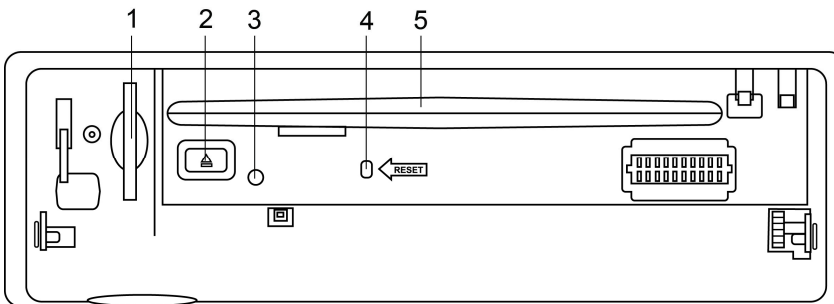
1. ИК-сенсор
2. Кнопка 1/PLAY/PAUSE
3. Кнопка POWER/MUTE
4. Кнопка MODE
5. Кнопка VOLUME+
6. Кнопка MENU
7. Кнопка BND
8. Кнопка 6/DIR+
9. Кнопка NEXT
10. TFT-дисплей
11. Кнопка OPEN
12. USB-порт
13. Кнопка PREVIOUS
14. Кнопка 2/INT
15. Кнопка 3/RPT
16. Кнопка OK
17. Кнопка VOLUME-
18. Кнопка AS/PS
19. Кнопка 4/RDM
20. Кнопка 5/DIR-
21. Вход A/V



SOUNDMAX

**Внутренняя панель**

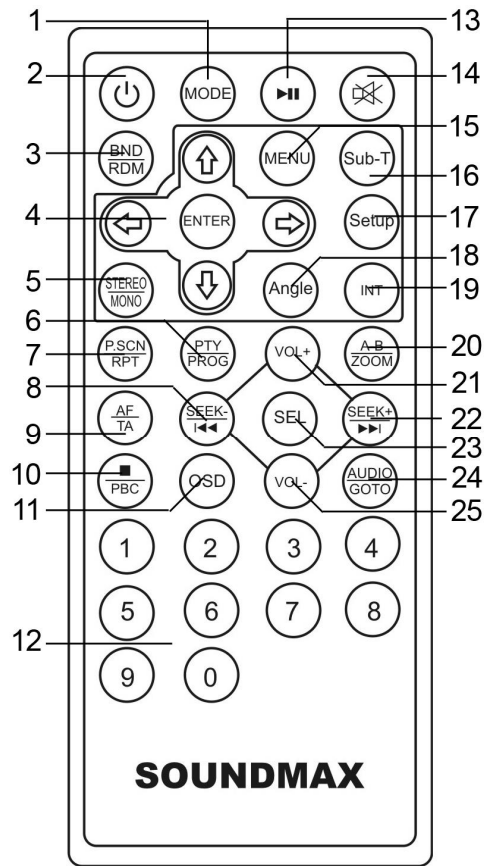
1. Слот для карт памяти
2. Кнопка EJECT
3. Индикатор состояния панели
4. Кнопка (отверстие) RESET
5. Слот для дисков



При нажатии кнопки RESET все выполненные установки будут удалены из памяти устройства. Индикатор состояния панели загорается, когда панель опущена, и мигает при снятии панели.

## Пульт дистанционного управления (ПДУ)

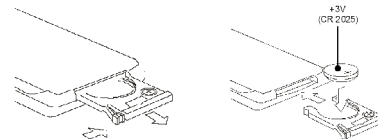
1. Кнопка MODE
2. Кнопка PWR
3. Кнопка BND/RDM
4. Кнопка ENTER/Кнопки курсора
5. Кнопка STEREO/MONO
6. Кнопка PTY/PROG
7. Кнопка P.SCN/RPT
8. Кнопка SEEK-/PREVIOUS
9. Кнопка AF/TA
10. Кнопка STOP/PBC
11. Кнопка OSD
12. Кнопки с цифрами
13. Кнопка PLAY/PAUSE
14. Кнопка MUTE
15. Кнопка MENU
16. Кнопка SUB-T
17. Кнопка SETUP
18. Кнопка ANGLE
19. Кнопка INT
20. Кнопка A-B/ZOOM
21. Кнопка VOL+
22. Кнопка SEEK+/NEXT
23. Кнопка SEL
24. Кнопка AUDIO/GOTO
25. Кнопка VOL-



SOUNDMAX

## Замена батарей

1. Откройте отсек для батарей в направлении, указанном стрелкой.
2. Замените старую батарею на новую (CR 2025 3V), соблюдая полярность. Установите отсек для батарей в корпус пульта.



### Примечание:

- Не позволяйте детям играть с батареями.
- Неправильное использование батарей может стать причиной перегрева и разрушения корпуса, что в свою очередь ведет к пожару.
- Утечка батарей может сделать причиной повреждения пульта управления (Срок работы батарей – 6 месяцев при эксплуатации в обычных условиях при комнатной температуре).
- Не замыкайте батареи. Не бросайте батареи в огонь.
- При использовании ПДУ направляйте его на инфракрасный сенсор передней панели устройства.

## Общие операции

---

### Сброс настроек устройства

Включая устройство в первый раз или после замены батареи, Вы должны переустановить его. Нажмите кнопку (отверстие) RESET на внутренней панели острым предметом (например, шариковой ручкой); будут установлены заводские настройки.

**Примечание:** При нарушении функционирования устройства Вы можете нажать кнопку RESET для сброса пользовательских настроек.

### Включение/выключение устройства

Нажмите любую кнопку на ПДУ или на панели (кроме кнопки OPEN), чтобы включить питание устройства. Нажмите и удерживайте кнопку POWER/MUTE на панели или нажмите кнопку POWER на ПДУ для отключения питания устройства.

### Выбор режима работы

Нажимайте кнопку MODE на ПДУ или на панели для выбора режима работы устройства: Радио => Диск => USB => Карта памяти => AV IN.

**Примечание:** Режимы Диск, Карта памяти и USB доступны, только когда соответствующий носитель установлен в устройство.

### Отключение звука

Нажмите кнопку POWER/MUTE на панели или кнопку MUTE на ПДУ для отключения звука. На дисплее отобразится надпись MUTE. Для включения звука нажмите повторно эту кнопку или регулируйте громкость.

### Регулирование громкости

Для регулирования уровня громкости нажимайте кнопки VOL+/VOL- на ПДУ или кнопки VOLUME+/VOLUME- на передней панели.

## Регулировка параметров звука

Нажмите и удерживайте кнопку ОК на панели или нажмите кнопку SEL на ПДУ для вызова меню настройки параметров звука: BASS (низкие частоты) => TREBLE (высокие частоты) => BALANCE (баланс между правым и левым динамиками) => FADER (баланс между фронтальным и тыловым динамиками) => EQ (эквалайзер). С помощью кнопок курсора ВВЕРХ/ВНИЗ на ПДУ или кнопок VOLUME+/- на панели выберите параметр для настройки. Нажмите кнопку ENTER или кнопку курсора ВПРАВО на ПДУ или кнопку ОК на панели для входа в выбранный параметр.

С помощью кнопок курсора ВЛЕВО/ВПРАВО на ПДУ или кнопок VOLUME+/VOLUME- на панели настройте выбранный параметр. Нажмите и удерживайте кнопку ОК на панели или нажмите кнопку SEL на ПДУ для сохранения настройки и возврата к предыдущей странице меню.

**Примечание:** При отключении питания устройства кнопкой POWER выполненные настройки будут сохранены. При полном отключении питания (например, при отключении аккумулятора автомобиля) параметры вернутся к заводским значениям. Если в течение 3 секунд после выбора параметра вы не выполните его настройку, устройство автоматически вернется к предыдущему режиму.

## Настройка системы

Нажмите кнопку MENU на панели или на ПДУ для вызова меню настройки системы. С помощью кнопок курсора ВВЕРХ/ВНИЗ на ПДУ или кнопок VOLUME+/- на панели выберите нужную страницу меню. Нажмите кнопку ENTER или кнопку курсора ВПРАВО на ПДУ или нажмите кнопку ОК на панели для входа на выбранную страницу. С помощью кнопок курсора ВЛЕВО/ВПРАВО на ПДУ или кнопок VOLUME+/VOLUME- на панели выберите параметр системы для настройки, затем нажимайте кнопку ОК на ПДУ или кнопку SEL на панели, чтобы настроить параметр.

Нажмите кнопку ENTER или кнопку курсора ВПРАВО на ПДУ или кнопку ОК на панели для подтверждения выполненной настройки, затем нажмите кнопку MENU для возврата к предыдущей странице меню.

### AUDIO (аудио)

- Bass: Низкие частоты. 10 уровней настройки. Значение по умолчанию - 0.
- Treble: Высокие частоты. 10 уровней настройки. Значение по умолчанию - 0.

- Balance: Баланс между правым и левым динамиками. 10 уровней настройки для левого и правого каналов. По умолчанию правый канал равен левому.
- Fader: Баланс между фронтальным и тыловым динамиками. 10 уровней настройки для тылового и фронтального каналов. По умолчанию тыловой канал равен фронтальному.
- EQ DSP: Режимы эквалайзера FLAT => CLASSICS => POP => ROCK => DSP OFF (отключен).

#### PICTURE (изображение) (доступен только в режимах Диск/USB/Карта памяти)

- Red: Уровень красного. 50 уровней настройки. Значение по умолчанию - 25.
- Green: Уровень зеленого. 50 уровней настройки. Значение по умолчанию - 25.
- Blue: Уровень синего. 50 уровней настройки. Значение по умолчанию - 25.
- Brightness: Уровень яркости. 50 уровней настройки. Значение по умолчанию - 25.
- Contrast: Уровень контрастности. 50 уровней настройки. Значение по умолчанию - 25.
- Sharpness: Уровень резкости. 15 уровней настройки. Значение по умолчанию - 10.
- Screen: Формат экрана: 16:9 => 4:3 => FULL (полный).
- Color reset: Сброс цветности до исходных значений (выберите YES (да) или NO (нет) с помощью кнопок курсора, нажмите кнопку ENTER на ПДУ или кнопку OK на панели для подтверждения).

#### EXPERT

- DX: Выбор режима DX (прием как местных, так и удаленных радиостанций) или LOCAL (прием только местных радиостанций).
- Stereo: Выбор режима приема сигнала STEREO (стерео) или MONO (моно).
- Beep: Режим звукового сопровождения нажатия кнопок: 2<sup>ND</sup> (длительное нажатие) => ALL (любое нажатие) => OFF (нажатия кнопок не сопровождаются звуковым сигналом).
- Loud: Включение (OFF) или отключение (ON) тонкомпенсации (усиления низких частот).
- Backlight: Выбор уровня подсветки экранного меню: HIGH (высокий)/LOW (низкий)/MID (средний).
- OSD color: Выбор цвета экранного меню: DARK BLUE(синий)/VIOLET(фиолетовый)/LIGHT BLUE (голубой).

#### CLOCK (часы)

- Clock: Включение (OFF) или отключение (ON) отображения часов.
- Clock Hour: выберите 12-часовой или 24-часовой режим отображения часов.
- Clock adjust: Установка текущего времени.

## Операции с радио

---

### Переключение диапазонов.

В режиме радио нажимайте кнопку BND/RDM на ПДУ или кнопку BND на панели для переключения диапазонов в следующем порядке: FM1 - FM2 - FM3 (OIRT) – MW (AM).

### Ручной/автоматический поиск каналов

- Ручной поиск каналов: Нажмите и удерживайте кнопку PREVIOUS или NEXT на ПДУ или на панели для активации режима ручного поиска. На дисплее отобразится надпись MANUAL. Нажимайте кнопку PREVIOUS или NEXT на ПДУ или на панели для изменения частоты вниз/вверх по диапазону.
- Автоматический поиск каналов: Нажимайте кнопки PREVIOUS или NEXT на ПДУ или на панели, устройство выполнит автоматический поиск станций в направлении к низшей или высшей частоте диапазона соответственно и при обнаружении станции начнет ее вещание. Чтобы прервать поиск, нажмите одну из этих кнопок.

### Сохранение и вызов радиостанций

На панели устройства и на ПДУ есть 6 кнопок с цифрами, с помощью которых Вы можете сохранять и включать радиостанции в каждом диапазоне (18 FM, 6 AM). Выберите нужную радиостанцию, затем нажмите и удерживайте кнопку с цифрой. Станция будет сохранена в памяти устройства под этой цифрой. Для вызова сохраненной станции нажмите соответствующую кнопку с цифрой.

### Автоматическое сохранение/сканирование станций

Автоматическое сохранение: При нажатии и удержании кнопки P.SCN/RPT на ПДУ или кнопки AS/PS на панели, автоматически активируется функция автосохранения радиостанций. Устройство автоматически найдет и сохранит 6 станций в 6 позициях памяти в текущем диапазоне. Чтобы прервать автосохранение, нажмите эту кнопку еще раз.

**Примечание:** При автосохранении устройство будет выполнять поиск станций с самым сильным уровнем сигнала, затем станции с более слабым уровнем до заполнения всех позиций памяти.

Сканирование: Выберите диапазон, нажмите кнопку P.SCEN/RPT на ПДУ или кнопку AS/PS на панели; устройство будет в течение нескольких секунд вещать каждую радиостанцию, сохраненную в текущем диапазоне.

### **Моно/стерео прием сигнала**

В режиме FM-радио нажмите кнопку STEREO/MONO на ПДУ для переключения между моно и стерео режимами. Если принимаемый сигнал слабый, активируйте режим моно для улучшения качества приема сигнала.

### **Отображение информации на дисплее**

В режиме радио нажмите кнопку OSD на ПДУ для отображения режимаPTY.

### **Сервис RDS**

Сервис RDS (Система радиоданных) доступен не во всех регионах. Имейте в виду, что если услуга RDS недоступна в Вашем регионе, то данная функция не будет работать.

### **Функция AF (Альтернативные частоты)**

Нажмите и удерживайте кнопку AF/TA на ПДУ или кнопку BND на панели для активации функции AF. При слабом сигнале функция альтернативных частот позволяет приемнику настраиваться на другие станции с тем же идентификационным кодом, что и текущая станция, но с более сильным сигналом. При этом вместо частоты на дисплее появится название станции.

**Примечание:** Индикатор AF на дисплее активен, если идет прием данных RDS. Если в Вашем регионе услуги RDS недоступны, отключите режим AF.

### **Функция TA (Traffic Alarm)**

Нажмите кнопку AF/TA на ПДУ или нажмите и удерживайте кнопку MODE на панели для включения (либо отключения) функции TA.

Когда функция TA включена, устройство автоматически начинает поиск станции, передающей информацию TA. Если такая информация не найдена, начнется поиск станций, предоставляющих информацию TP

(идентификационные данные радиовещательной станции, передающей информацию о дорожном движении). Если такие станции также не будут найдены, устройство вернется к исходному режиму.

Если принимается станция с информацией TP, но без информации TA, индикатор TP отображается статично, а индикатор TA мигает; при приеме как информации TP, так и TA, оба индикатора отображаются статично.

Если устройство находится в режиме другого источника сигнала, то при поступлении информации о дорожном движении устройство автоматически перейдет в режим радио и начнется трансляция этой информации. По истечении трансляции устройство вернется в исходный режим. Нажмите кнопку AF/TA на ПДУ или нажмите и удерживайте кнопку MODE на панели, чтобы отключить трансляцию информации TP. Выполните это действие дважды, чтобы отключить функцию TA.

### **ФункцияPTY (Тип программы)**

Нажмите кнопку PTY/PROG на ПДУ для активации списка типов программ (PTY), затем нажимайте эту кнопку для навигации по списку типов программы. Нажмите кнопку с цифрой на ПДУ или на панели для активации поиска программы соответствующего типа. Для остановки поиска нажмите кнопку еще раз. Если программа выбранного типа не была найдена, на дисплее отобразится надпись "PTY NONE" ("PTY отсутствует").

### **Другие функции**

Нажмите кнопку MENU на панели или на ПДУ для вызова меню настройки системы. С помощью кнопок курсора ВВЕРХ/ВНИЗ на ПДУ или кнопок VOLUME+/- на панели выберите страницу меню RDS SETUP. Нажмите кнопку ENTER или кнопку курсора ВПРАВО на ПДУ или нажмите кнопку ОК на панели для входа на выбранную страницу. С помощью кнопок курсора ВЛЕВО/ВПРАВО на ПДУ или кнопок VOLUME+/VOLUME- на панели выберите параметр системы для настройки, затем нажимайте кнопку ОК на ПДУ или кнопку SEL на панели, чтобы настроить параметр.

Нажмите кнопку ENTER или кнопку курсора ВПРАВО на ПДУ или кнопку ОК на панели для подтверждения выполненной настройки, затем нажмите кнопку MENU для возврата к предыдущей странице меню.

## RDS SETUP

- TA ALARM/SEEK: В режиме TA SEEK, устройство будет искать станции передающие информацию о дорожном движении; в режиме TA ALARM, поиск не идет, но когда произойдет происшествие или чрезвычайная ситуация на дорогах, то устройство активирует систему передачи этой информации.
- PI SOUND/MUTE: PI sound: Если автомобиль перемещается в критической зоне, может появиться эффект частого переключения между двумя разными радиостанциями, потому что может быть принят другой код PI на той же частоте. Когда в описанной выше ситуации произойдет переключение на другую радиостанцию с другим кодом PI, в течение короткого времени будет слышна трансляция данной радиостанции. PI mute: В описанном выше случае на короткое время звучание будет отключено.
- RETUNE S/L: Retune-S или Retune-L – это выбор временного интервала повторного поиска в режиме TA Seek. Retune S: короткий, интервал поиска в режиме TA SEEK 30 секунд. Retune L: длинный, интервал поиска в режиме TA SEEK 90 секунд. Режим Retune для режима TA активен только для TA SEEK.
- MASK DPI/ALL: После включения режима AF, программа, которую вы прослушиваете, может быть замещена другой программой, которая вещает на той же частоте, чтобы этого избежать активируйте функцию MASK DPI. Так же программа, которую вы прослушиваете, может быть замещена не только другой программой, которая вещает на той же частоте, но и программой с сильным сигналом, чтобы этого не произошло, активируйте функцию MASK ALL.
- EON TA DX/LOCAL:  
EON TA LOCAL (дорожные сообщения местных радиостанций): Если уровень мощности сигнала радиостанции из другой сети вещания меньше определенного порогового уровня, радиоприемник не переключается на эту станцию и пользователь не услышит никаких искажений.  
EON TA DX (дорожные сообщения удаленных радиостанций): Переключение на радиостанцию из другой сети вещания, которая передает сообщения о дорожном движении (EON TA), осуществляется на основе информации текущей радиостанции.
- REG ON/OFF: REG ON (вкл): во время поиска AF и TA передач приемник будет настраиваться на те станции, PI-код которых совпадает с кодом текущей станции.  
REG OFF (выкл): PI-код будет игнорироваться и будет возможен прием региональных станций.
- TA VOL: Установите уровень громкости сообщений о дорожных движениях, активный по умолчанию. 50 уровней настройки. Значение по умолчанию - 50.

## Операции с дисками/USB-накопителями/картами памяти

---

### Примечания по USB/SD/MMC разъемам

Воспроизведение MP3 файлов с USB карт (флеш-память).

Поддержка карт памяти SD/MMC, 2 в 1 (SD/MMC).

Поддержка USB флеш-карты.

Поддержка FAT 12/ FAT 16/ FAT 32

- FAT 12/ 16 (поддержка 200 папок, 500 файлов),
- FAT 32 (поддержка 200 папок, 500 файлов).
- Имя файла: 32 байта/имя папки: 32 байта.
- Тэг (id3tag ver 2.0)

Имя/Исполнитель/Альбом: поддержка 32 байтов.

Многофункциональный карт-ридер не поддерживается.

Поддержка формата USB 2.0.

**Примечание:** USB: Поддержка формата USB 2.0. Емкость: до 8 Гб.

SD/MMC: Для корректной работы устройства используйте лицензионные карты памяти известных производителей. Избегайте использования нелицензионных карт памяти. Емкость: до 8 Гб.

### Загрузка/извлечение диска

- Откройте переднюю панель и вставьте диск в слот маркированной стороной вверх. Диск автоматически загрузится в устройство. Начнется воспроизведение первого файла на диске или в корневом каталоге. Закройте переднюю панель.
- Чтобы извлечь диск из устройства, откройте переднюю панель и нажмите кнопку EJECT. Если диск не достать из слота в течение нескольких секунд, он будет автоматически загружен обратно в слот. При извлечении диска из слота устройство автоматически переключится в другой режим.

### Загрузка карты памяти SD/MMC/USB-накопителя

Откройте переднюю панель и вставьте карту памяти SD/MMC в слот для карт памяти. Откройте заглушку USB-порта на передней панели и вставьте USB-накопитель в порт. Режим работы устройства

автоматически переключится на MMC/SD или USB. Начнется воспроизведение первого трека на установленном носителе.

**Примечание:** Если карта памяти и USB установлены в устройство одновременно, будет активен режим последнего установленного носителя.

### Воспроизведение/пауза

Устройство автоматически начнет воспроизведение первого трека, содержащегося на установленном носителе (диск/карта памяти/USB). Для лучшего качества воспроизведения перед выполнением дальнейших операций дождитесь, пока устройство закончит читать установленный носитель. Для приостановки воспроизведения нажмите кнопку PLAY/PAUSE на ПДУ или кнопку 1/PLAY/PAUSE на панели; нажмите кнопку еще раз для возобновления воспроизведения.

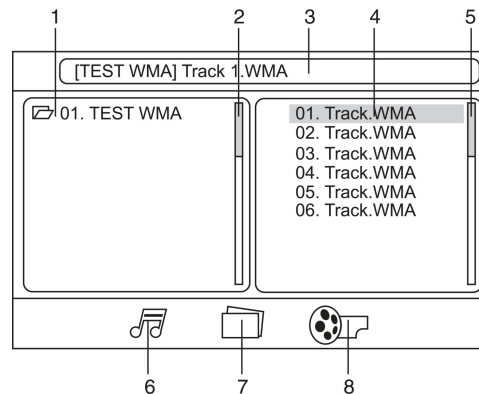
### Воспроизведение файлов MP3/DivX/JPEG

После загрузки носителя, содержащего файлы в форматах MP3/DivX/JPEG, на дисплее отобразится следующий интерфейс:

1. Список папок на носителе
2. Полоса прокрутки
3. Информация о текущем воспроизведении
4. Содержимое текущей папки (текущий файл выделен)
5. Полоса прокрутки
6. Выбор аудиофайлов
7. Выбор файлов с изображениями
8. Выбор видеофайлов

Используйте кнопки курсора для навигации по интерфейсу, нажимайте кнопку ENTER на ПДУ для подтверждения выбранной опции.

**Примечание:** Производитель гарантирует нормальное воспроизведение только лицензионных дисков. Воспроизведение некоторых AVI-файлов может оказаться невозможным в зависимости от их конфигурации и параметров, а также условий записи. Видеофайлы с расширением AVI объемом более 2 Гб могут воспроизводиться устройством не полностью.



### **Остановка воспроизведения**

При воспроизведении диска/USB/карты памяти нажмите кнопку STOP/PBC на ПДУ или нажмите и удерживайте кнопку 1/PLAY/PAUSE на панели для остановки воспроизведения. Нажмите кнопку PLAY/PAUSE на ПДУ или на панели для запуска воспроизведения. Воспроизведение начнется с того места, на котором оно было остановлено. При двукратном нажатии кнопки STOP/PBC на ПДУ или двукратном нажатии и удержании кнопки 1/PLAY/PAUSE на панели воспроизведение остановится и при дальнейшем запуске начнется с первого трека или главы на носителе.

### **Выбор треков/глав**

Во время воспроизведения нажмите кнопку PREVIOUS для возврата к началу текущего трека; нажмите эту кнопку дважды для перехода к предыдущему треку. Нажмите кнопку NEXT для перехода к следующему треку. Нажмите кнопку с цифрой (0-9) на ПДУ для выбора соответствующего трека/главы.

### **Перемотка вперед/назад**

Нажимайте и удерживайте кнопку PREVIOUS или NEXT для перемотки вперед или назад. Для DVD/VCD дисков скорость перемотки будет увеличиваться при каждом нажатии и удержании кнопки PREVIOUS или NEXT. Для возврата к воспроизведению с нормальной скоростью нажмите кнопку PLAY/PAUSE.

**Примечание:** Если при перемотке Вы достигли следующего или предыдущего трека, он начнет воспроизводиться с нормальной скоростью.

### **Повтор фрагмента (A-B)**

Нажмите кнопку A-B/ZOOM, чтобы установить начальную точку фрагмента для повтора. Нажмите кнопку еще раз, чтобы установить конечную точку фрагмента; начнется повторное воспроизведение выбранного фрагмента. Нажмите эту кнопку еще раз для отмены повтора фрагмента.

### **Повторное воспроизведение**

Нажимайте кнопку P.SCAN/RPT, чтобы выбрать режим повторного воспроизведения. В зависимости от воспроизводимого формата режимы воспроизведения могут меняться (повтор трека/главы, повтор папки, повтор всего диска, отмена повтора).

### **Обзорное воспроизведение**

Нажмите кнопку INT на ПДУ или кнопку 2/INT на панели, чтобы начать обзорное воспроизведение. Устройство будет последовательно воспроизводить несколько начальных секунд каждого трека. Нажмите кнопку еще раз, чтобы отменить обзорное воспроизведение.

### **Случайное воспроизведение**

Нажмите кнопку BND/RDM, чтобы начать случайное воспроизведение треков/разделов на диске. Нажмите кнопку еще раз, чтобы отменить случайное воспроизведение.

### **Программирование воспроизведения**

- Нажмите кнопку PTY/PROG, чтобы войти в меню программирования воспроизведения.
- С помощью кнопок курсора выберите позицию программы, затем нажимайте кнопки с цифрами, чтобы ввести номер нужного трека/раздела/главы (в зависимости от типа диска).
- Нажмите кнопку PLAY/PAUSE на ПДУ или на панели, чтобы начать воспроизведение программы, или установите курсор на пункт «ПР» и нажмите кнопку ENTER на ПДУ или кнопку ОК на панели для запуска программы.
- Установите курсор на пункт «СБРОС», нажмите кнопку ENTER на ПДУ или кнопку ОК на панели, чтобы удалить программу. Нажмите кнопку PTY/PROG, чтобы выйти из режима программирования.

### **Отображение информации на дисплее**

Нажимайте и удерживайте кнопку OSD на ПДУ для отображения различной информации о текущем воспроизведении, такой как номер трека/главы/раздела, оставшееся/истекшее время воспроизведения трека/главы/раздела, общее оставшееся время треков/глав/разделов (в зависимости от типа диска).

### **Функция PBC (Управление воспроизведением) (для VCD)**

Данная функция доступна только для VCD-дисков, поддерживающих PBC.

Нажмите и удерживайте кнопку STOP/PBC на ПДУ, чтобы включить или отключить PBC. На дисплее отобразится меню разделов, в котором Вы можете выбрать нужный раздел с помощью кнопок с цифрами на ПДУ.

### **Изменение масштаба**

Во время воспроизведения видео или файлов с изображениями нажимайте и удерживайте кнопку A-B/ZOOM на ПДУ для увеличения или уменьшения масштаба изображения в следующем порядке: X2 => X3 => X4 => X1/2 => X1/3 => X1/4 => выключение масштабирования.

### **Выбор папки**

Нажмите кнопку 6/DIR+ или 5/DIR- для перехода к следующей или предыдущей папке соответственно.

### **Воспроизведение по заданным параметрам**

Нажмите и удерживайте кнопку AUDIO/GOTO; на экране отобразится меню, в котором Вы можете ввести нужные параметры, такие как номер или время трека/главы/раздела. Используйте кнопки курсора на ПДУ для навигации по меню параметров и кнопки с цифрами для ввода нужных значений. Нажмите кнопку ОК на панели или кнопку ENTER на ПДУ, воспроизведение начнется с учетом введенных параметров.

### **Угол просмотра (для DVD)**

Нажмите кнопку ANGLE на ПДУ, чтобы выбрать угол просмотра эпизода. Данная функция доступна только для дисков, содержащих эпизоды, снятые под несколькими углами.

### **Выбор языка аудио (для DVD)**

Нажимайте кнопку AUDIO/GOTO на ПДУ для выбора нужного языка аудио. Данная функция доступна только для дисков, поддерживающих несколько языков аудио.

### **Выбор языка субтитров (для DVD)**

Нажимайте кнопку SUB-T на ПДУ для выбора нужного языка субтитров. Данная функция доступна только для дисков, поддерживающих несколько языков субтитров.

### **Выбор аудиоканала (для VCD)**

Нажимайте кнопку AUDIO/GOTO на ПДУ для выбора нужного аудиоканала: Левый => Правый => Смешанное моно => Стерео.

**Меню разделов (для DVD)**

Нажмите кнопку MENU на ПДУ или на панели, чтобы войти в меню разделов диска. Выберите нужный пункт меню диска с помощью кнопок курсора на ПДУ. Нажмите кнопку ENTER или PLAY/PAUSE на ПДУ или кнопку OK на панели для начала воспроизведения выбранного раздела.

**ID3-теги**

Если MP3 файл содержит информацию совместимого формата ID3-tag, эта информация будет отображаться на дисплее.

## Меню настройки DVD

Нажмите кнопку SETUP на ПДУ для входа в меню настройки системы; с помощью кнопок курсора ВЛЕВО/ВПРАВО и кнопки ENTER выберите страницу настроек: Системные, Язык, Аудио, Видео, Цифровые. На странице настроек выберите параметр с помощью кнопок курсора ВВЕРХ/ВНИЗ, затем нажмите кнопку курсора ВПРАВО для перехода к списку настроек. С помощью кнопок курсора ВВЕРХ/ВНИЗ выберите настройку. Нажмите кнопку ENTER на ПДУ или кнопку ОК на панели для подтверждения.

### Системные установки

- Система ТВ

Выберите систему ТВ (NTSC, PAL, PAL60, АВТО).

- Заставка

Заставка появляется через несколько минут после остановки диска.

Исходная установка: Включено.

- Видео

Чересстрочная развертка (interlace-S-Video).

- Формат ТВ

Выберите режим экрана для просмотра широкоэкранных фильмов.

4:3 PS: Для размера экрана 4:3. Края изображения будут обрезаны.

4:3 LB: Для размера экрана 4:3, сверху и снизу изображения появятся черные полосы.

16:9: Для размера экрана 16:9.

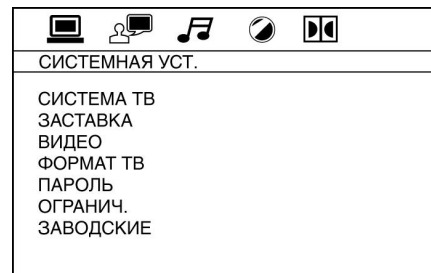
- Пароль: Исходный пароль – 0000.

- Ограничение:

Эта функция предназначена для контроля родителями за содержанием дисков при их воспроизведении и защищает Ваших детей от сцен насилия и эротики. Диск, уровень которого выше, чем установленный с помощью данной функции, не будет воспроизводиться.

Рейтинг диска от 1 до 8:

- (1) С высоким уровнем ограничения.



(8) С низким уровнем ограничения.

Исходная установка: 8

**Примечание:** Вы можете установить рейтинг только при выключенной функции пароля. Ограничения будут действовать только при включенной функции пароля.

- Заводские установки

При выборе этого параметра телевизор вернется к исходным заводским установкам.

### Установка языка

- Меню

Выберите язык экранного меню.

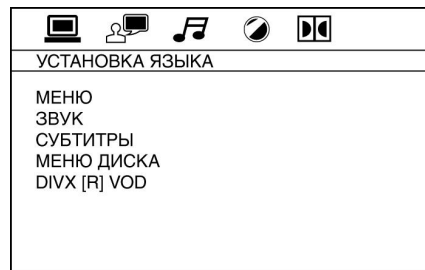
- Звук

Выберите язык аудио. Вы можете выбрать язык из предложенных на DVD диске.

- Субтитры

Выберите язык субтитров. Вы можете выбрать язык субтитров из предложенных на DVD диске.

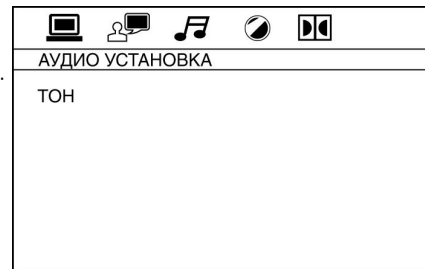
- Меню диска: Выберите язык меню диска.
- DivX [R] VOD: Регистрационный код DivX.



### Аудио установка

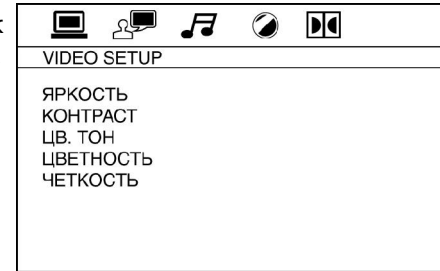
- Тон

Настройте данный параметр с помощью кнопок курсора ВВЕРХ/ВНИЗ.



## Настройки видео

Настройте нужный параметр изображения с помощью кнопок курсора ВВЕРХ/ВНИЗ: Яркость, Контрастность, Оттенок, Цветность, Четкость.



## Цифровая установка

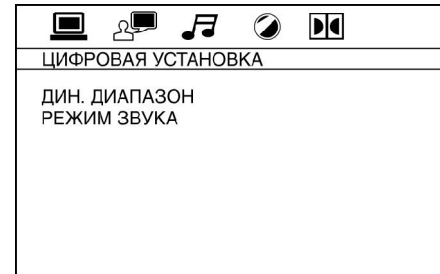
- **Динамический диапазон**

При просмотре в ночное время программ с высоким динамическим диапазоном звука выбор этого режима позволит Вам установить такой формат обработки звука, который позволит сохранить качество и детали звукового сопровождения. Это даст Вам возможность не беспокоить остальных членов семьи и сохранить высокое качество звука.

При выборе пункта "Full", аудио сигнал будет минимальным, при выборе "Off", аудио сигнал будет максимальным.

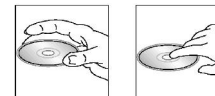
- **Двойной моно**

Выберите канал аудио сигнала: Стерео, Моно левый (левый L), Моно правый (правый R), Смешанный моно (L+R).



## Обращение с дисками

- Грязные, поцарапанные или погнутые диски могут вызвать искажение звука или шумы
- Держите диск только за края. Чтобы обеспечить чистоту, не прикасайтесь к его поверхности.
- Диски должны храниться в их чехлах после использования, чтобы не поцарапать их поверхность.
- Не подвергайте диски действию прямого солнечного света, повышенной влажности, повышенным температурам или действию пыли.
- Продолжительное влияние предельных температур может изогнуть диск (например, пребывание дисков в автомобиле в летнее время).
- Не царапайте и не пишите что-либо на любой стороне диска. Острые пишущие инструменты или чернила, используемые в них, могут повредить поверхность диска.
- Не оставляйте никаких следов на рабочей стороне диска. Не прикрепляйте этикетки или стикеры к любой стороне диска.



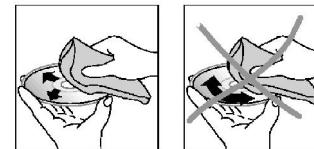
## Чистка и уход

### Чистка корпуса

Протирайте мягкой тканью. Если корпус очень загрязнен (не мочите его), используйте мягкую ткань.

### Чистка дисков

Отпечатки пальцев должны быть тщательно стерты с поверхности диска мягкой тканью. В отличие от обычных пластинок, компакт-диски не имеют канавок для сбора пыли и микроскопических частиц грязи, поэтому их можно легко отчистить мягкой тканью. Вытирайте прямолинейным движением от центра к краю.



Никогда не используйте растворитель, бензин, очиститель пластинок или антистатический аэрозоль для чистки дисков. Такие химические вещества могут повредить его пластиковые поверхности.

## Руководство по устранению неисправностей

Ниже приводится таблица, в которой описаны простые проверки, способные помочь Вам устранить большую часть проблем, могущих возникнуть при использовании данного устройства. Если нижеуказанные меры не помогли, обратитесь в сервисный центр или к ближайшему дилеру.

Неисправность	Причина	Решение
Нет питания	Зажигание машины не включено.	Если источник питания подключен надлежащим образом к выключателю машины, установите ключ зажигания в положение "ACC".
	Сгорел предохранитель.	Замените предохранитель.
Нет звука	Уровень громкости звука установлен на минимум.	Отрегулируйте громкость звука до необходимого уровня.
	Кабель не подключен надлежащим образом.	Проверьте подключение кабеля.
Плохое качество звучания	Угол установки устройства более 35 градусов.	Отрегулируйте угол установки, установив его менее 35 градусов.
	Диск загрязнен или имеет дефект.	Очистите диск или используйте новый диск.
Диск не загружается или не извлекается из устройства	В устройстве уже есть диск.	Извлеките диск из устройства, затем установите новый диск.
	Конденсация влаги.	В течение часа не пользуйтесь устройством, затем повторите попытку.

Устройство не считывает диск	Диск установлен верхней стороной вниз.	Установите диск стороной с маркировкой вверх.
	Диск загрязнен или имеет дефект.	Очистите диск или установите новый.
	Температура внутри автомобиля очень высокая.	Подождите, пока температура не станет нормальной.
Не работают кнопки	Встроенный микрокомпьютер не работает надлежащим образом.	Выполните перезапуск устройства с помощью кнопки RESET.
	Передняя панель установлена некорректно.	Установите заново переднюю панель.
Радиоприемник не работает	Кабель антенны не подключен к устройству.	Подключите к устройству кабель антенны.

## Технические характеристики

<b>Общие</b>	
Источник питания	12 В
Максимальная выходная мощность	50 Вт x 4 канала
Поддержка носителей	DVD/DVD±R/DVD±RW/CD/CD-R/CD-RW/USB/SD/MMC
Форматы воспроизведения	DVD/DVCD/SVCD/VCD/HDCD/MP3/CDDA/Picture-CD/Photo-CD/JPEG/MPEG4 (DivX)
Размеры устройства/вес нетто	170 x 178 x 50 мм/1,55 кг
Размеры коробки/вес брутто	235 x 285 x 103 мм/2,25 кг
Электронная система стабилизации	40 с для CD, 120 с для MP3
Диапазон температур	-20°C - +60°C
<b>ЖК дисплей</b>	
Размер дисплея	3 дюйма
Разрешение	240 ТВ-линий
Формат	16:9
Контрастность	400:1
Яркость	250 кд/м <sup>2</sup>
Угол обзора	120° по вертикали, 120° по горизонтали
<b>FM радио</b>	
Частотный диапазон	65 МГц – 74 МГц/87,5 МГц – 108 МГц
Используемая чувствительность	<15 дБ
Память цифрового тюнера	18 станций
<b>AM радио</b>	
Частотный диапазон	522 – 1620 КГц
Память цифрового тюнера	6 станций

Технические характеристики могут быть изменены заводом-изготовителем без предварительного уведомления. Указанные масса и геометрические размеры имеют приблизительные значения.