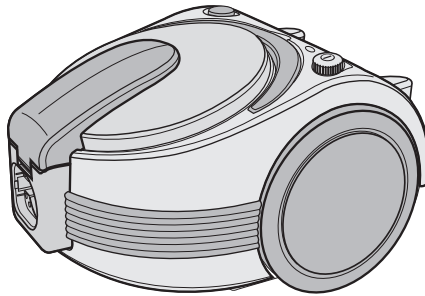


SAMSUNG

Operating Instructions

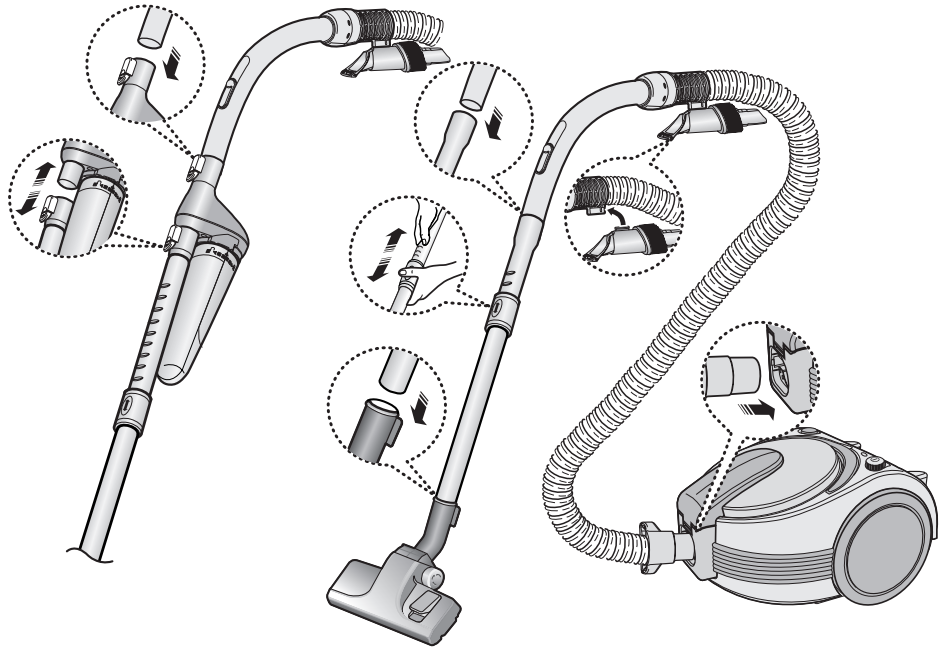
VACUUM CLEANER



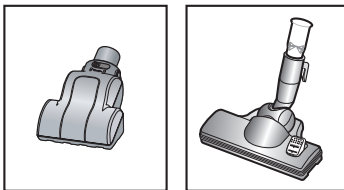
- * Before operating this unit, please read the instructions carefully.
- * For indoor use only.

Register your product at www.samsung.com/global/register

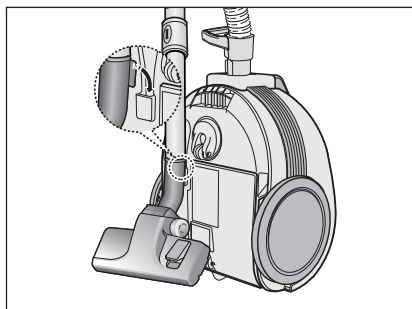
1 ASSEMBLING THE CLEANER



OPTION



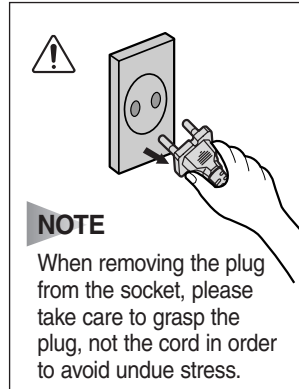
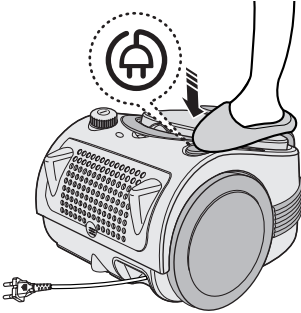
► Features may vary according to model.



For storage, park the floor nozzle.

2 OPERATING YOUR CLEANER

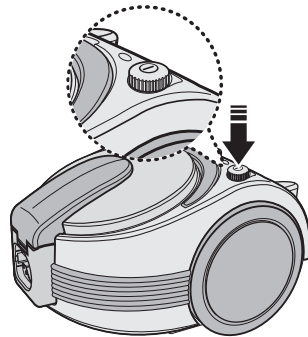
2-1 POWER CORD



2-2 ON/OFF SWITCH

With the cord plugged into an electrical outlet, start or stop the vacuum cleaner by pushing lightly downward on the switch.

NOTE : ON/OFF switch is combined with POWER CONTROLLER - To start or stop the unit just lightly press it downward.



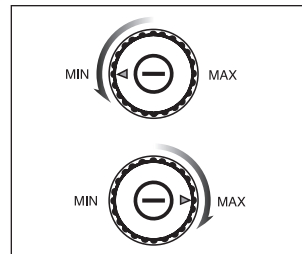
2-3 POWER CONTROL (VARIABLE CONTROL TYPE ONLY)

The vacuuming power can be adjusted to suit any situation with the electrical power control.

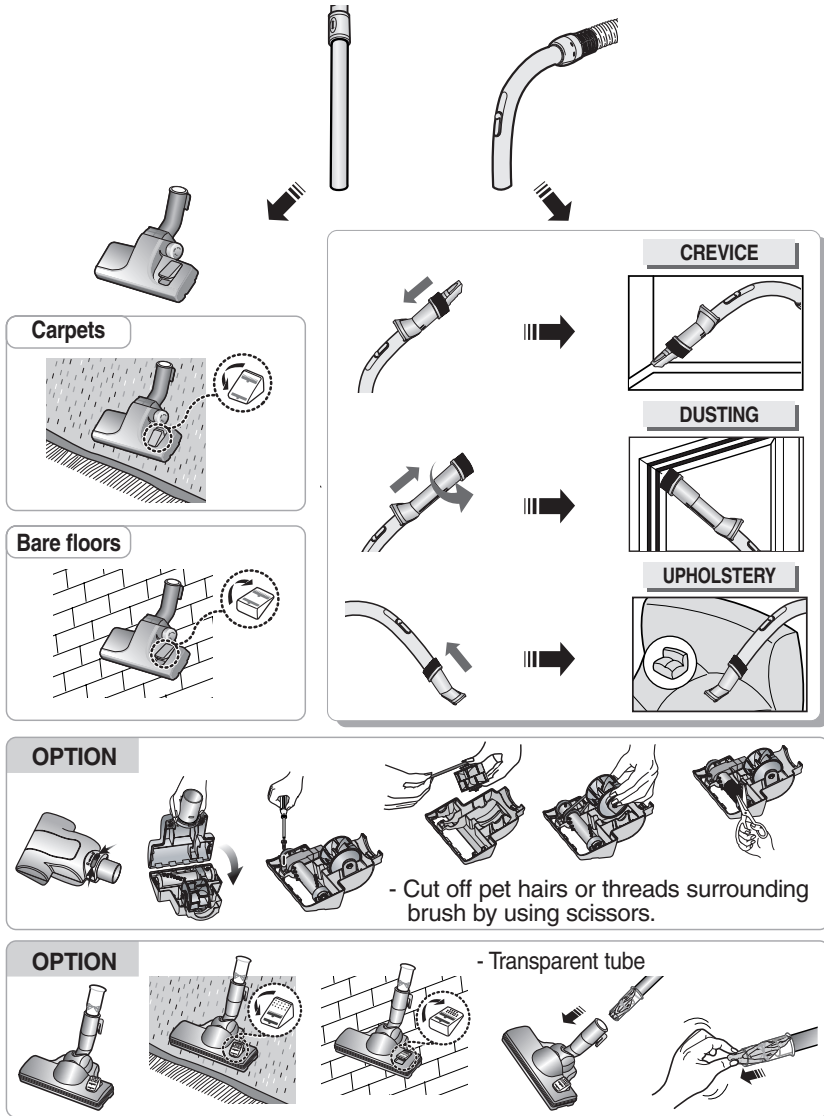
MIN = For delicate fabrics, e.g.net curtains.

MAX = For hard floors and heavily soiled carpets.

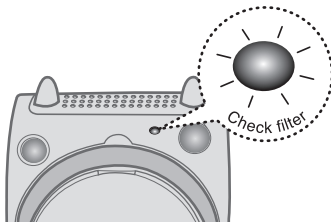
-To adjust power output just turn it right or left.



2-4 USING FLOOR TOOLS



3 CHECK FILTER INDICATOR

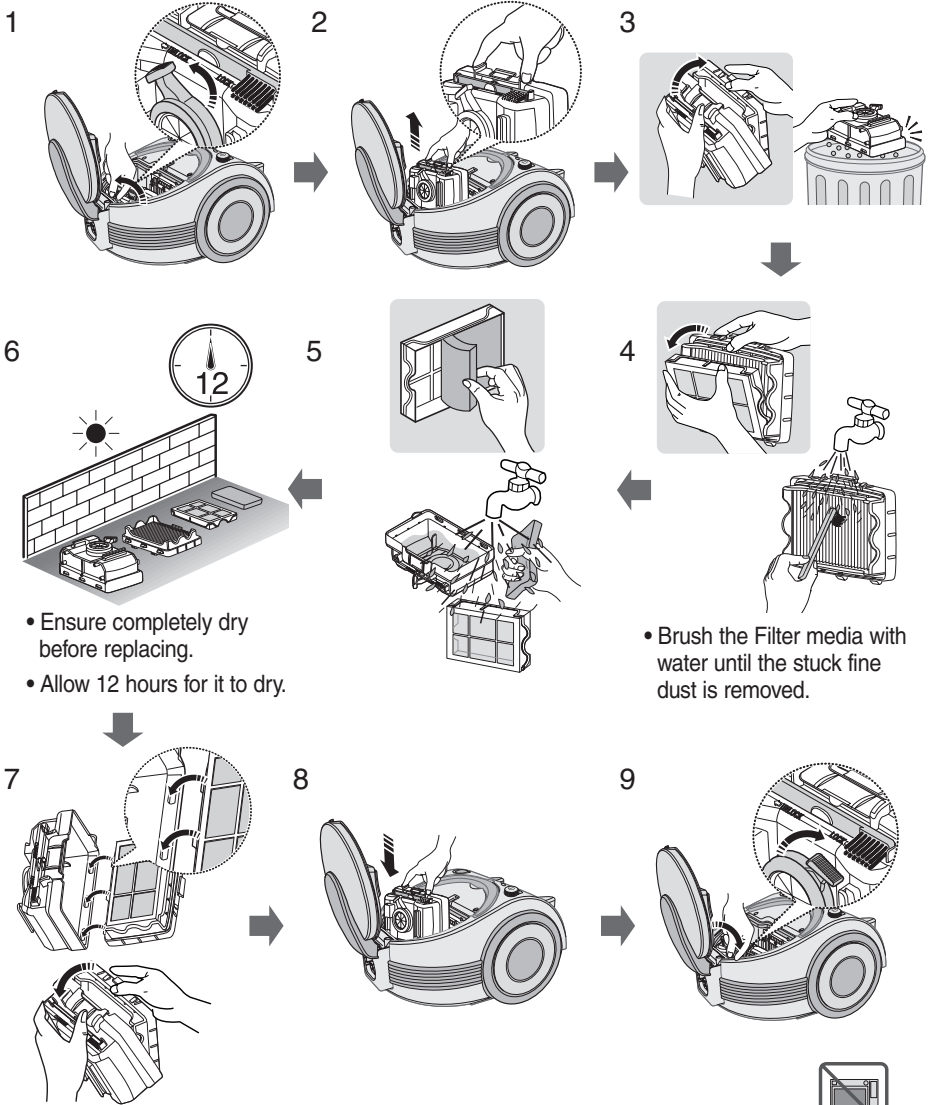


When the light is illuminated, check the Cassette Filter and clean it.

! **OPTIONAL** (Dust Bag type)
Check the Dust bag and change it.

4 MAINTAINING THE CASSETTE FILTER

4-1 EMPTYING THE CASSETTE FILTER(Optional)



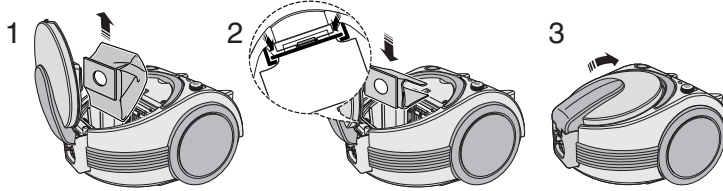
NOTE

The cassette filter should be washed thoroughly as well as emptied if:

- the CHECK FILTER indicator lights continuously
- the suction power feels weaker than normal
- the Turbo Brush (optional) is not working properly



4-2 CHANGING THE DUST BAG (Optional)

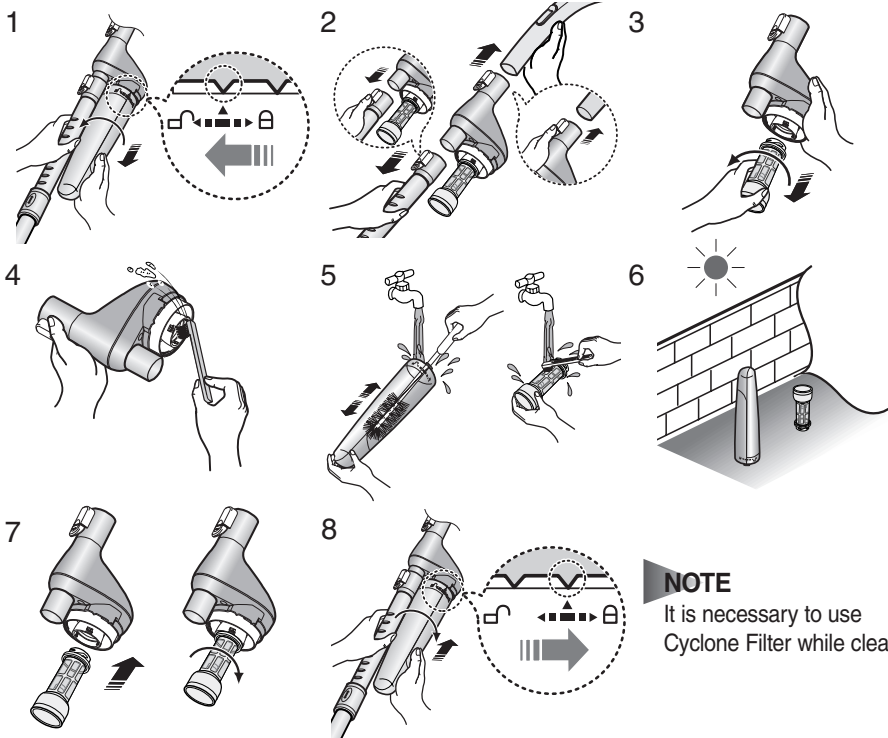


OPTIONAL

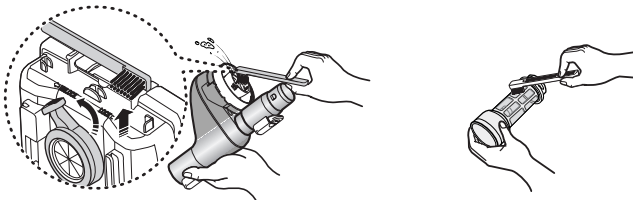
- FOR CLOTH FILTER BAG

After using, if the cloth bag is full of dust, clean the cloth filter bag and use it again.

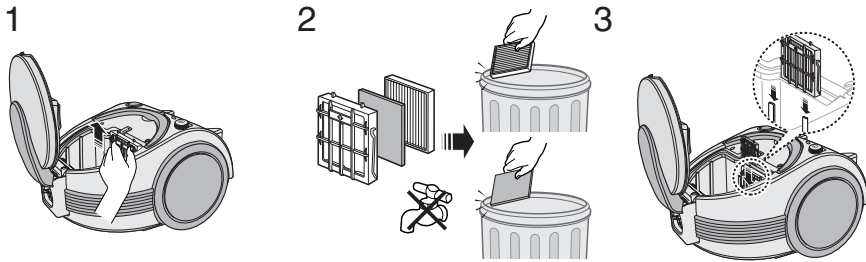
5 CLEANING THE CYCLONE FILTER (Optional)



- CLEANING THE INNER PART OF CYCLONE FILTER

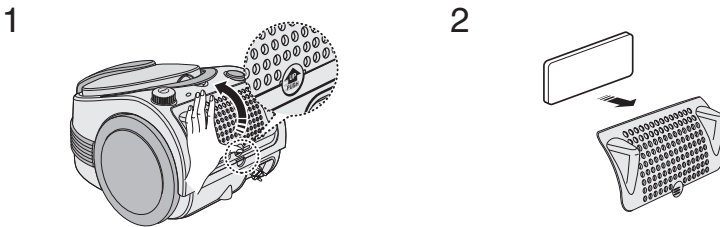


6 CLEANING THE INLET FILTER



NOTE : Do not allow the filter to become clogged as this may cause power reduction or may damage the motor.

7 OUTLET FILTER



- IF YOU HAVE A PROBLEM

PROBLEM	CAUSE	REMEDY
Motor does not start.	No power supply. Thermal cut-out.	Check cable, plug and socket. Leave to cool.
Suction force is gradually decreasing.	Nozzle, suction hose or tube is blocked.	Remove the object and empty/wash cassette filter as required.
Cord does not rewind fully.	Check that the cord is not twisted or wound unevenly.	Pull the cord out 2-3m and push down the cord rewind button.
Vacuum cleaner does not pick up dirt.	Crack or hole in hose.	Check hose and replace if required.

IMPORTANT SAFEGUARDS

1. Read all instructions carefully. Before switching on, make sure that the voltage of your electricity supply is the same as that indicated on the rating plate on the bottom of the cleaner.
2. **WARNING:** Do not use the vacuum cleaner when rug or floor is wet.
Do not use to suck up water.
3. Close supervision is necessary when any appliance is used by or near children. Do not allow the vacuum cleaner to be used as a toy. Do not allow the vacuum cleaner to run unattended at any time. Use the vacuum cleaner only for its intended use as described in these instructions.
4. Do not use the vacuum cleaner without Cassette Filter. Empty the Cassette Filter before it is full in order to maintain the best efficiency.
5. Do not use the vacuum cleaner to pick up matches, live ashes or cigarette butts. Keep the vacuum cleaner away from stoves and other heat sources. Heat can deform and discolour the plastic parts of the unit.
6. Avoid picking up hard, sharp objects with the vacuum cleaner as they may damage the cleaner parts. Do not stand on the hose assembly. Do not put a weight on the hose. Do not block the suction or the exhaustion part.
7. Switch the vacuum cleaner off at the machine before unplugging from the electrical outlet. Grasp the plug to disconnect cord from the electrical outlet before caring Cassette Filter and filters.
8. The plug must be removed from the socket out-let before cleaning or maintaining the appliance.
9. The use of an extension cord is not recommended.
10. If your vacuum cleaner is not operating correctly, switch off the power supply and consult an authorized service agent.
11. If the supply cord is damaged, it must be replaced by the manufacturer or its service agent or a similarly qualified person in order to avoid a hazard.
12. This appliance is not intended for use by young persons or infirm persons without supervision unless they have been adequately supervised by a responsible person to ensure that they can use the appliance safely. Young children should be supervised to ensure that they do not play with the appliance.

If you have any comments or questions regarding a Samsung products, contact the SAMSUNG customer care center.

Country	Customer Care Center ☎	Web Site
AUSTRALIA	1300 362 603	www.samsung.com/au
HONG KONG	2862 6001	www.samsung.com/hk
MALAYSIA	1800-88-9999	www.samsung.com/my
SINGAPORE	1800-SAMSUNG (7267864)	www.samsung.com/sg