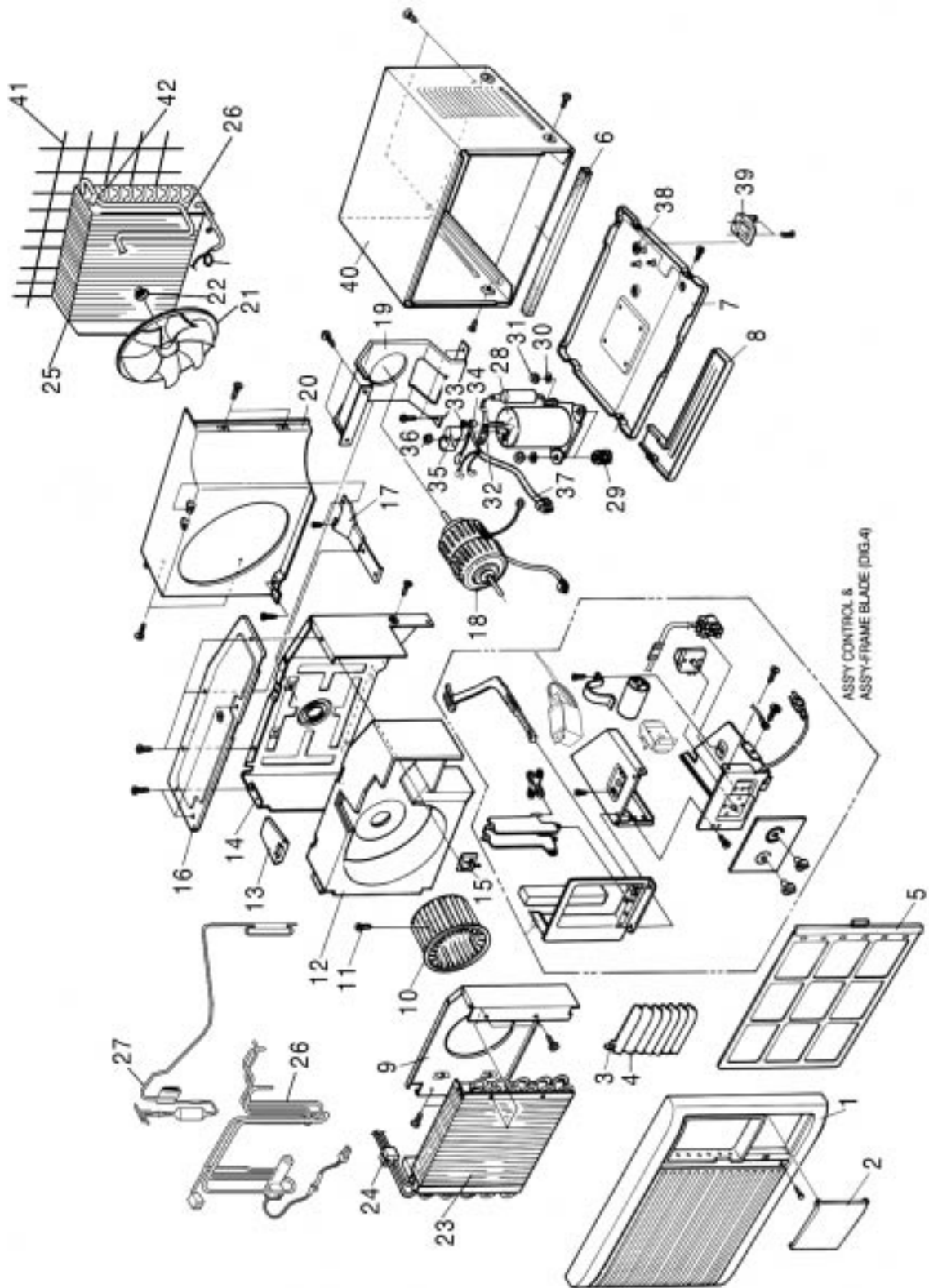


6. Exploded View and Parts List

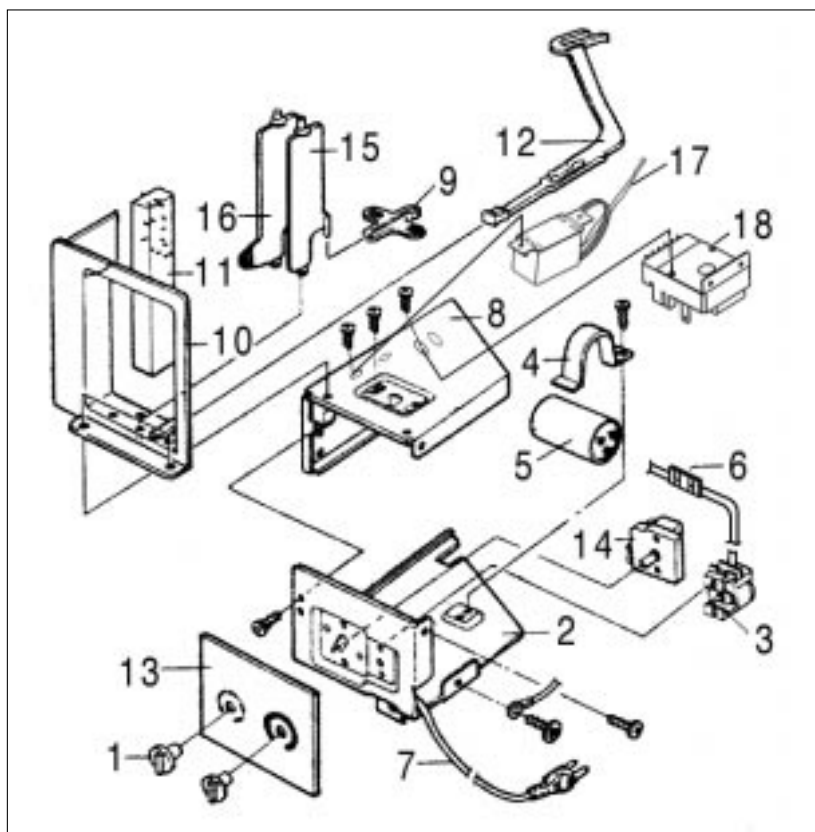
6-1 Main unit



■ Part List

No.	Code No.	Description	Specification	Q'TY	Remarks
				AWH090ZE	
1	DB92-10006N	ASSY-GRILLE	HIPS, SC-94445R	1	
2	DB64-20036C	DOOR-CONTROL	ABS, SC-94445R	1	
3	DB66-60010B	LINK-BLADE, H	ABS, SC-94445R	1	
4	DB66-30037B	BLADE-H	ABS, SC-94445R	7	
5	DB63-30021B	GUARD-AIR FILTER	ABS, SC-94445R	1	
6	DB72-10102G	SEAL CABI FRONT	PO-PU	1	
7	DB90-20193A	ASSY-BASE PAN	SECC-P	1	
8	DB63-40009A	TRAY-DRAIN	31-FO PS, WHT	1	
9	DB67-30012A	PARTITION-E/CASING	SGCC-M, T0.8	1	
10	DB67-50051A	BLOWER	ABS	1	
11	DB60-20019A	BOLT-SPECIAL	M6,L11,ZPC3,S45C	1	
12	DB61-10012A	CASE-EVAP	FOAM-PS	1	
13	DB63-10121A	COVER-EVAP	FOAM-PS	1	
14	DB67-30013B	PARTITION	SGCC-M(G90-U), T1.0	1	
15	DB75-10001A	COVER DAMPER	PP	1	
16	DB63-10082A	COVER-EVAP	SGCC-M, T22	1	
17	DB67-90003A	REINF-PARTITION	SGCC-M, T1.0	1	
18	DB95-20134C	ASSY-MOTOR	AMAFS-040AXEA	1	▲
19	DB61-30484A	SUPPORT-MOTOR	SGCC-M,T1.2	1	
20	DB61-10029A	CASE-COND	PP, BLK	1	
21	DB67-50031B	FAN-PROPELLER	AS+G/F(20%)	1	
22	DB60-30004A	NUT-FLANGE	M6,-,SM20C,NTR	1	
23	DB96-40172A	ASSY-EVAPORATOR	2x12 SLIT 1.4	1	
24	DB73-20047C	RUBBER-TUBE	EPDM, -, -, -	1	
25	DB96-30270A	ASSY-CONDENSER	2x13 WAVE 1.5	1	
26	DB62-31715A	TUBE-4WAY ASSY	AWH090ZE	1	
27	DB62-40034A	VALVE-CHECK ASS'Y	1/2inch, 30KG/CM2G	1	
28	DB95-10065M	ASSY-COMP	44H092JW1E4	1	▲
29	DB73-10004A	GROMMET-ISOLATOR	EPDM	3	
30	6021-000124	NUT-HEXAGON	1C,M8,ZPC(YEL),SM10C	3	
31	DB60-50008A	WASHER-COMP	ID8.5,OD24,T1.6,ZPC	3	
32	DB63-20002A	GASKET	EPDM,TO.8	1	
33	DB67-60020A	SPRING-OLP	STS304-WPA	1	
34	DB47-20008B	OLP	MRA12037-12007	1	▲
35	DB63-10165A	COVER-TERMINAL	NORYL	1	
36	DB60-30018A	NUT-FLANGE	PI0.8,M5,SM20C	1	
37	DB93-50012E	ASSY-LEAD WIRE COMP	AWM1015 AWG16	1	▲
38	DB63-10355A	CAP-DRAIN	CR,T2,BLK	1	
39	DB67-20019A	DRAIN PAN OUT	PP	1	
40	DB90-10150C	ASSY-CABI	AWH090ZE	1	
41	DB71-40001B	BAR STEEL	HSWR,D2.5	1	
42	DB65-10010A	CLIP PIPE	SECC-P	1	

6-2 Ass'y Control



■ Part List

No.	Code No.	Description	Specification	Q'TY	Remarks
				AWH090ZE	
1	DB64-50131A	KNOB-ASSY	ABS, SC-94445R	2	
2	DB61-10030A	CASE-CONTROL LOW	SGCC-M,T0.8	1	
3	DB47-20067A	THERMOSTAT	13.8,3P	1	
4	DB65-10008A	CLIP-CAPACITOR	SGCC-M,T0.8	1	
5	2501-000353	C-OIL	30/3uF, 370V	1	
6	DB61-40192A	HOLDER SENSOR	PP BLK	1	
7	DB39-10062U	POWER CORD	250V, 10/16A	1	
8	DB61-10031A	CASE-CONTROL UP	SGCC-M,T0.8	1	
9	DB66-60009B	LINK-BLADE V	SC-94445R	1	
10	DB61-60022B	FRAME-BLADE	ABS, SC-94445R	1	
11	DB72-10018C	SEAL FRAME	FOPE+FOPU	1	
12	DB66-70011B	LEVER-DAMPER	ABS, SC-94445R	1	
13	DB64-40042J	INLAY-SWITCH	A1070S, T0.4,NO SWIN	1	
14	DB34-90085A	SWITCH-SELECTOR	ASSY, 5P	1	
15	DB66-30038B	BLADE-V	ABS, SC-94445R	1	
16	DB66-30040B	BLADE-VH	SC-94445R	1	
17	DB47-20068A	THERMOSTAT-DEICE	3P	1	
18	DB45-10009A	TIMER-DEFROST	D2506, 50/60Hz	1	