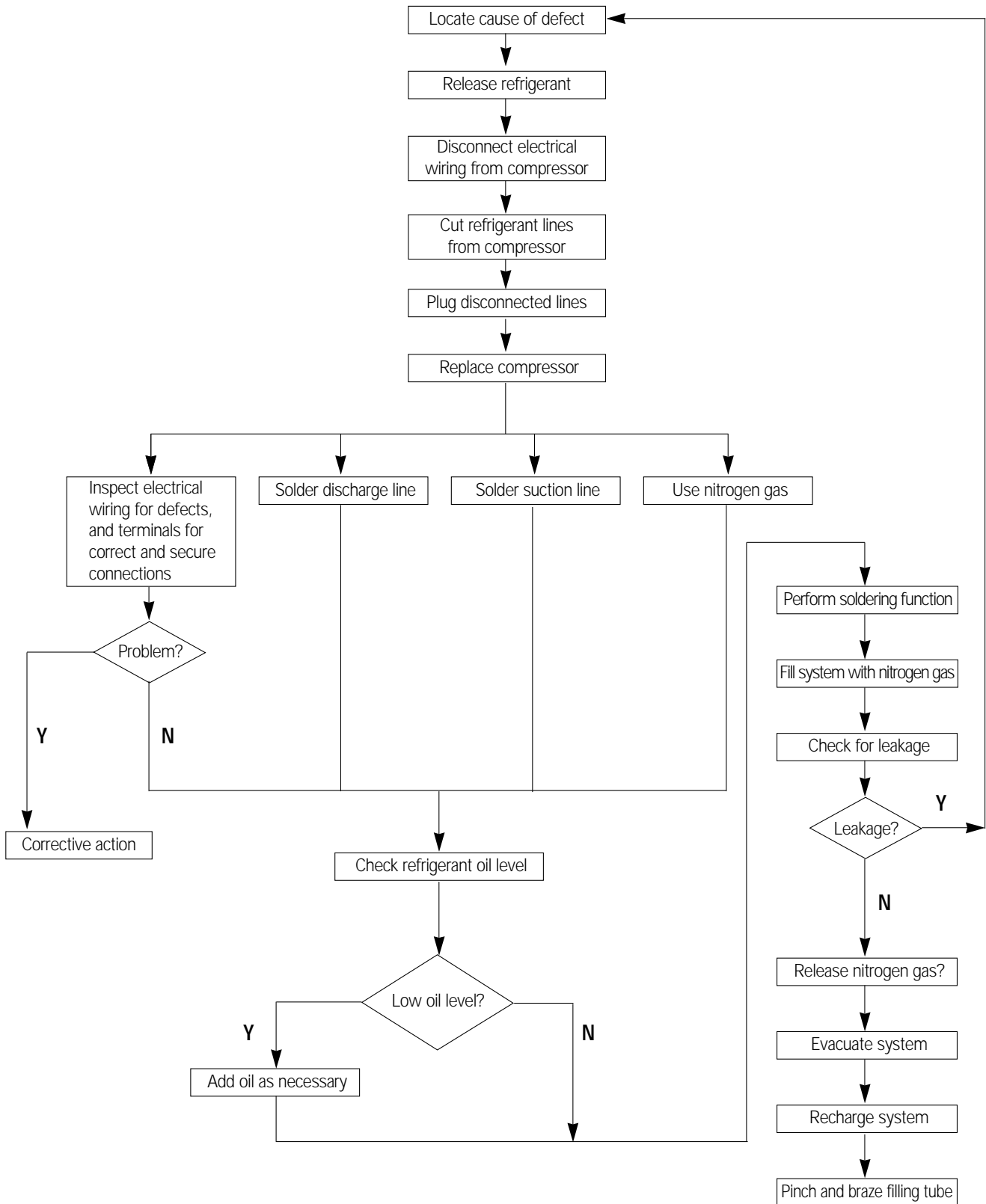


# 4. Disassembly and Reassembly

## 4-1. Compressor Replacement Flow Chart



## 4-2 Checking the oil

---

Put approximately 10cc oil into a transparent container and test it.

### 4-2-1 Oil quality

Condition of Refrigerant Cycle	Oil Condition		Remarks
	Color	Odor	
Normal	Straw Yellow	No Odor	Return with the system
Over-heated	Brown Color	-	Change the oil
Motor Damage	Dark Brown	Pungent oil	Change the oil

### 4-2-2 Changing and adding refrigerant oil

1. Change the compressor - DO NOT recharge the oil as the compressor itself is already charged.
2. Change the condenser .... add 50cc
3. Change the evaporator .... add 50cc
4. When the refrigerant is replaced .... add 30cc oil.
5. After vacuum is completed, the oil is filled through the high pressure side.
6. In the event of a refrigerant leak, generally it is not necessary to add oil.  
(unless the oil has leaked significantly).

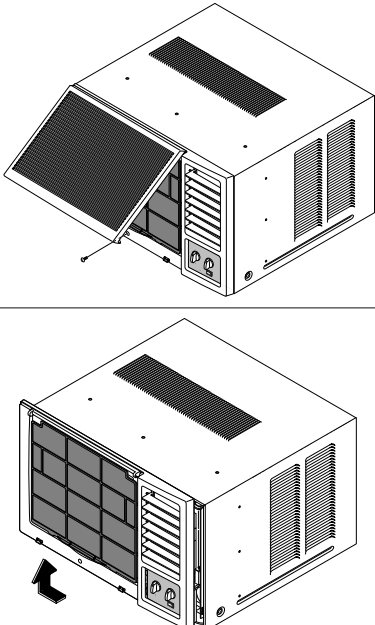
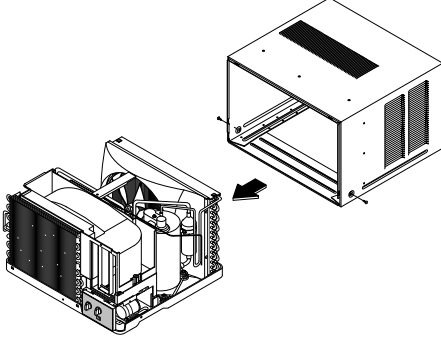
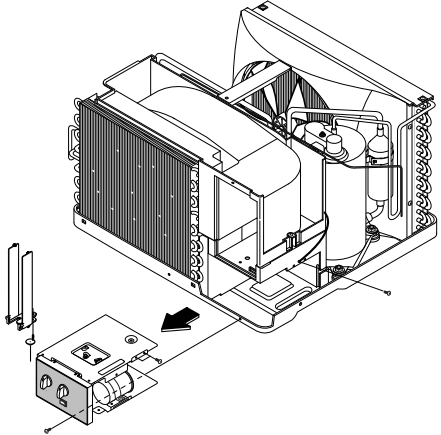
## 4-3 Refrigerant Oil Specifications

---

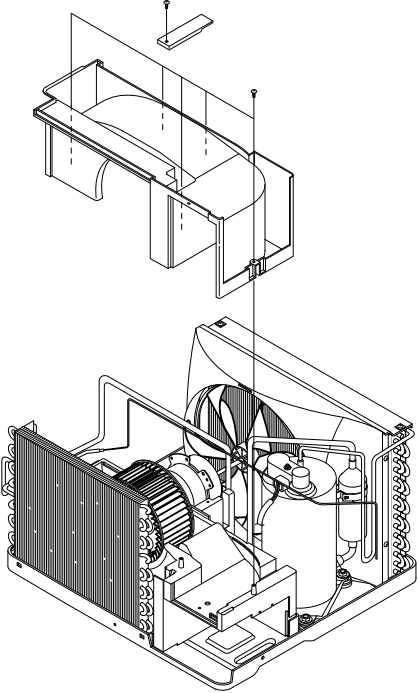
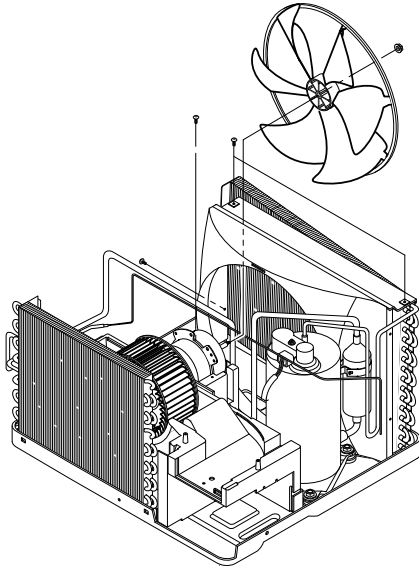
Model	Oil Charge	Oil specification
AW07A0SE AW07A1SE	280cc	SONTEX 200LT
AW09A0SE AW09A1SE	360cc	

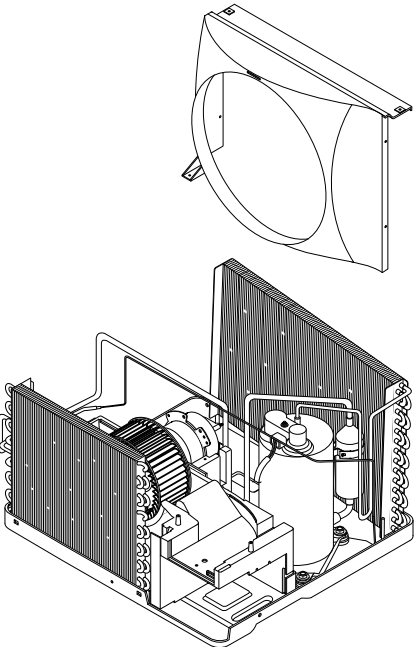
## 4-3 Disassembly and Reassembly Procedure

Stop operating the air conditioner, and pull out the power cord before repair.

No.	Part name	Procedures	Remarks
①	Ass'y Grill	<ol style="list-style-type: none"> <li>1. Pull the panel front and remove the screw on the grille</li> <li>2. Push the grille left side and pull up</li> </ol>	
②	Ass'y Cabinet	<ol style="list-style-type: none"> <li>1. Remove the two screws both side cabinet.</li> <li>2. Pull the front both side, and remove the unit from the cabinet.</li> </ol>	
③	Ass'y Control	<ol style="list-style-type: none"> <li>1. Remove the blade V and arm blade</li> <li>2. Remove 2 screws, and earth wire screw.</li> <li>3. Remove two lead wire assemblies.</li> <li>4. Take out the control box forward.</li> </ol>	

Disassembly and Reassembly

No.	Part name	Procedures	Remarks
④	Frame Up	1. Remove 6 screws on the Frame up and remove the Frame up and the reinf from case cond.	
⑤	Case Cond & Propeller Fan	1. Remove two screws on the bottom side, and 4 screws on the case cond. 2. Pull up the case cond and separate the cond case from the cond. 3. Remove the nut flange, and remove the propeller fan	

No.	Part name	Procedures	Remarks
⑥	Cond Casing	1. Remove the cond casing	
⑦	Blower & Motor	1. Move the motor & blower toward the evap, and lift up the motor & blower from the frame low.	