

BRIDGEABLE FOUR-CHANNEL POWER AMPLIFIER

**AMPLIFICATEUR DE PUISSANCE PONTABLE A
QUATRE VOIES**

Owner's Manual

GM-X574
GM-X374

Mode d'emploi

ENGLISH

ESPAÑOL

DEUTSCH

FRANÇAIS

ITALIANO

NEDERLANDS

Contents

Before Using This Product	2	Connecting the Unit	5
Composition of Manual	2	Connection Diagram	7
In case of trouble	2	Connecting the Power Terminal	8
WARNING	2	Connecting the Speaker Output Terminals	8
		Using the Speaker Input	9
		Connecting the Speaker wires	10
Setting the Unit	3	Installation	12
Gain Control	3	Example of installation on the floor mat	
Input Select Switch	3	or on the chassis	12
Power Indicator	4		
BFC (Beat Frequency Control) Switch	4		
LPF (Low-Pass Filter)/HPF (High-Pass			
Filter) Select Switch	4		
		Specifications	13

This product complies with the EMC Directives (89/336/EEC, 92/31/EEC) and CE Marking Directive (93/68/EEC).

Thank you for purchasing this PIONEER product. Before attempting operation, be sure to read this manual.

Composition of Manual

This manual applies to the GM-X574 and GM-X374. However, the illustrations show the GM-X574.

In case of trouble

When the unit does not operate properly, contact your dealer or the nearest authorized PIONEER Service Station.

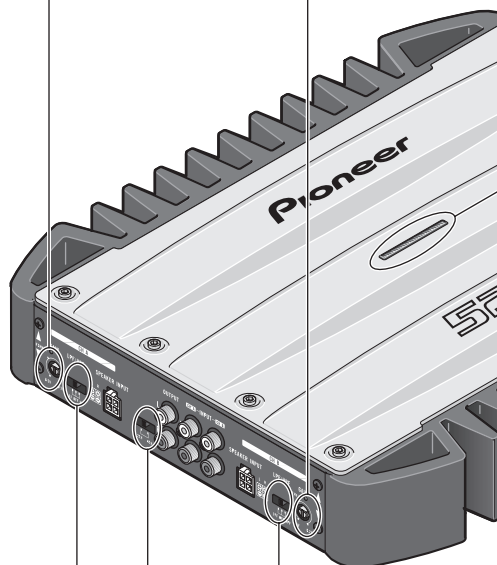
WARNING

- Always use the special red battery and ground wire [RD-223], which is sold separately. Connect the battery wire directly to the car battery positive terminal (+) and the ground wire to the car body.
- Do not touch the amplifier with wet hands. Otherwise you may get an electric shock. Also, do not touch the amplifier when it is wet.
- For traffic safety and to maintain safe driving conditions, keep the volume low enough so that you can still hear normal traffic sound.
- Check the connections of the power supply and speakers if the fuse of the separately sold battery wire or the amplifier fuse blows. Detect the cause and solve the problem, then replace the fuse with another one of the same size and rating.
- To prevent malfunction of the amplifier and speakers, the protective circuit will cut the power supply to the amplifier (sound will stop) when an abnormal condition occurs. In such a case, switch the power to the system OFF and check the connection of the power supply and speakers. Detect the cause and solve the problem.
- Contact the dealer if you cannot detect the cause.
- To prevent an electric shock or short-circuit during connection and installation, be sure to disconnect the negative (-) terminal of the battery beforehand.
- Confirm that no parts are behind the panel when drilling a hole for installation of the amplifier. Be sure to protect all cables and important equipment such as fuel lines, brake lines and the electrical wiring from damage.

Gain Control

Adjusting the gain controls A and B will help match the output of the car stereo to the Pioneer amplifier. Normally, set the gain controls to the “NORMAL” position. If the output is low, even when the volume of the car stereo is turned up, turn these controls clockwise. If there is distortion when the volume of the car stereo is turned up, turn these controls counter-clockwise.

- If you only use one input plug, set the gain controls for speaker outputs A and B to the same position.
- When using with an RCA equipped car stereo (standard output of 500 mV), set to the NORMAL position. When using with an RCA equipped Pioneer car stereo with max. output of 4 V or more, adjust level to match the car stereo output level.
- If you hear too much noise when using the speaker input terminals, turn the gain control counter-clockwise.

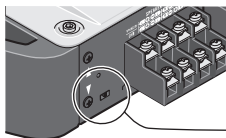


Input Select Switch

For two-channel input, slide this switch to the left. For four-channel input, slide this switch to the right.

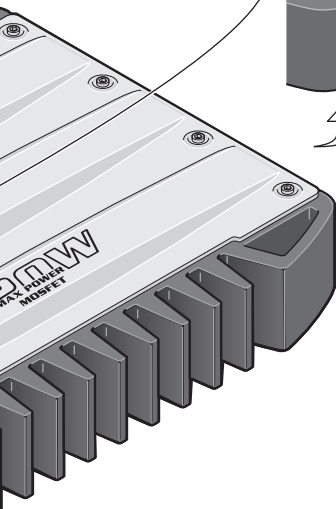
Power Indicator

The power indicator lights when the power is switched on.



BFC (Beat Frequency Control) Switch

If you hear a beat while listening to an MW/LW broadcast with your car stereo, change the BFC switch using a small standard tip screwdriver.



LPF (Low-Pass Filter)/HPF (High-Pass Filter) Select Switch

Set the LPF/HPF select switch as follows according to the type of speaker that is connected to the speaker output connector and the car stereo system:

LPF/HPF Select Switch	Audio frequency range to be output	Speaker Type	Remarks
LPF (Left)	Very Low Frequency range	Subwoofer	Connect a subwoofer.
OFF (Center)	Full range	Full range	
HPF (Right)	Low Frequency range to High Frequency range	Full range	Use if you want to cut the very low frequency range because it is not necessary for the speakers you are using.

CAUTION

- Disconnect the negative (–) terminal of the battery to avoid the risk of short-circuit and damage to the unit.
- Secure the wiring with cable clamps or adhesive tape. To protect the wiring, wrap adhesive tape around it where they lie against metal parts.
- Do not route wires where they will get hot, for example where the heater will blow over them. If the insulation heats up, it may become damaged, resulting in a short-circuit through the vehicle body.
- Make sure that wires will not interfere with moving parts of the vehicle, such as the gearshift, handbrake or seat sliding mechanism.
- Do not shorten any wires. Otherwise the protection circuit may fail to work when it should.
- Never feed power to other equipment by cutting the insulation of the power supply wire to tap from the wire. The current capacity of the wire will be exceeded, causing overheating.

To prevent damage

- Do not ground the speaker wire directly or connect a negative (–) lead wire for several speakers.
 - This unit is for vehicles with a 12-volt battery and negative grounding. Before installing it in a recreational vehicle, truck or bus, check the battery voltage.
 - If the car stereo is kept on for a long time while the engine is at rest or idling, the battery may go dead. Turn the car stereo off when the engine is at rest or idling.
 - If the system remote control wire of the amplifier is connected to the power terminal through the ignition switch (12 V DC), the amplifier will always be on when the ignition is on— regardless of whether the car stereo is on or off. Because of this, the battery could go dead if the engine is at rest or idling.
 - Speakers to be connected to the amplifier should conform with the standards listed below. If they do not conform, they may catch fire, emit smoke or become damaged. The speaker impedance must be 2 to 8 ohms. But in case of two-channel and other bridge connections, the speaker impedance must be 4 to 8 ohms.
 - Install and route the separately sold battery wire as far away as possible from the speaker wires. Install and route the separately sold battery wire, ground wire, speaker wires and the amplifier as far away as possible from the antenna, antenna cable and tuner.
- Cords for this product and those for other products may be different colors even if they have the same function. When connecting this product to another product, refer to the supplied Installation manuals of both products and connect cords that have the same function.

GM-X574

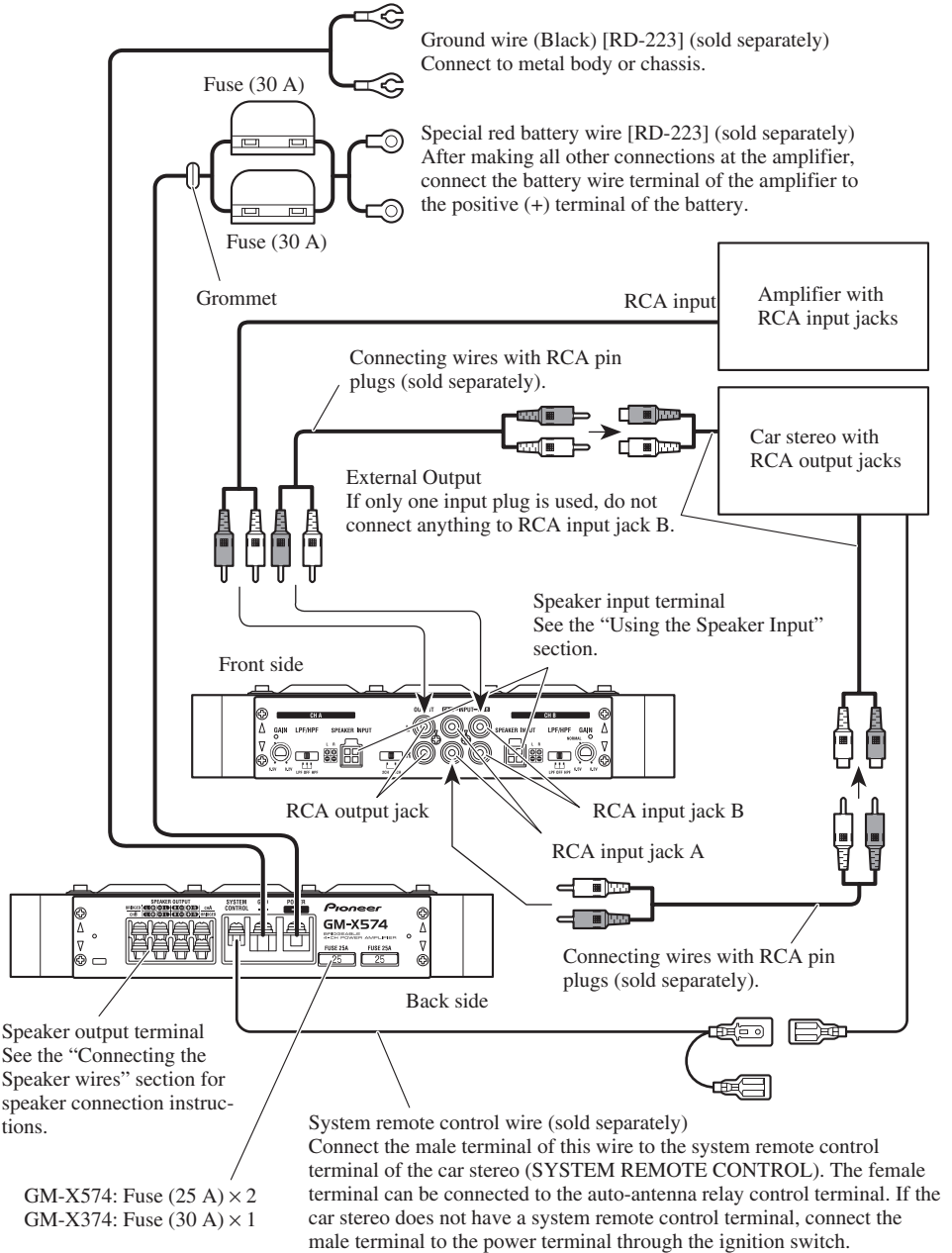
Speaker Channel	Speaker Type	Power
Four-channel	Subwoofer	Nominal input: Min. 55 W
	Other than subwoofer	Max. input: Min. 100 W
Two-channel	Subwoofer	Nominal input: Min. 135 W
	Other than subwoofer	Max. input: Min. 260 W
Three-channel	Subwoofer	Nominal input: Min. 55 W
Speaker output A	Other than subwoofer	Max. input: Min. 100 W
Three-channel	Subwoofer	Nominal input: Min. 135 W
Speaker output B	Other than subwoofer	Max. input: Min. 260 W

GM-X374

Speaker Channel	Speaker Type	Power
Four-channel	Subwoofer	Nominal input: Min. 40 W
	Other than subwoofer	Max. input: Min. 70 W
Two-channel	Subwoofer	Nominal input: Min. 100 W
	Other than subwoofer	Max. input: Min. 200 W
Three-channel Speaker output A	Subwoofer	Nominal input: Min. 40 W
	Other than subwoofer	Max. input: Min. 70 W
Three-channel Speaker output B	Subwoofer	Nominal input: Min. 100 W
	Other than subwoofer	Max. input: Min. 200 W

Connecting the Unit

Connection Diagram

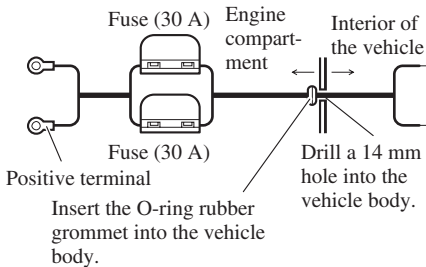


Connecting the Power Terminal

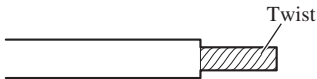
- Always use the special red battery and ground wire [RD-223], which is sold separately. Connect the battery wire directly to the car battery positive terminal (+) and the ground wire to the car body.

1. Pass the battery wire from the engine compartment to the interior of the vehicle.

- After making all other connections to the amplifier, connect the battery wire terminal of the amplifier to the positive (+) terminal of the battery.

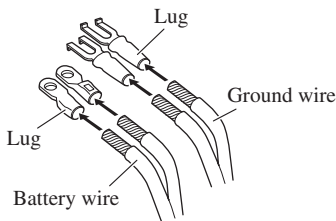


2. Twist the battery wire, ground wire and system remote control wire.



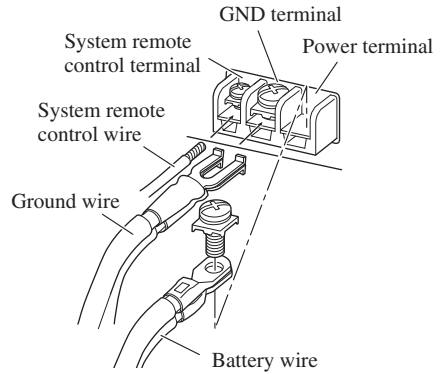
3. Attach lugs to wire ends. Lugs not supplied.

- Use pliers, etc., to crimp lugs to wires.



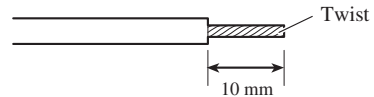
4. Connect the wires to the terminal.

- Fix the wires securely with the terminal screws.



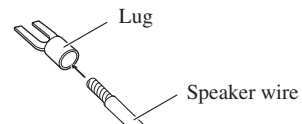
Connecting the Speaker Output Terminals

1. Expose the end of the speaker wires using nippers or a cutter by about 10 mm and twist.



2. Attach lugs to speaker wire ends. Lugs not supplied.

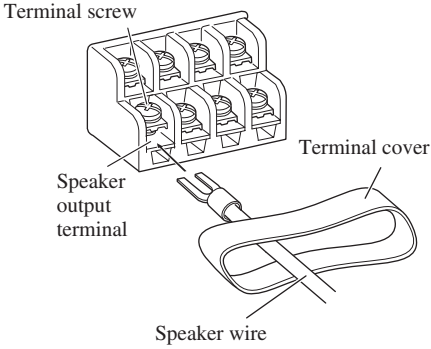
- Use pliers, etc., to crimp lugs to wires.



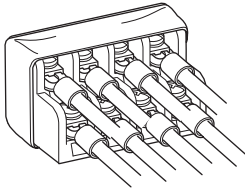
Connecting the Unit

3. Connect the speaker wires to the speaker output terminals.

- Connect the speaker wires, passing them through the terminal cover.
- Fix the speaker wires securely with the terminal screws.



4. Push on the terminal cover.

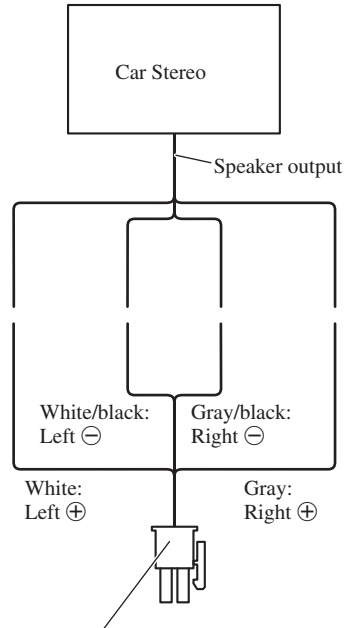


Using the Speaker Input

Connect the car stereo speaker output wires to the amplifier using the supplied speaker input connector.

- Do not connect both the RCA input and the speaker input at the same time.

■ Connections when using the speaker input



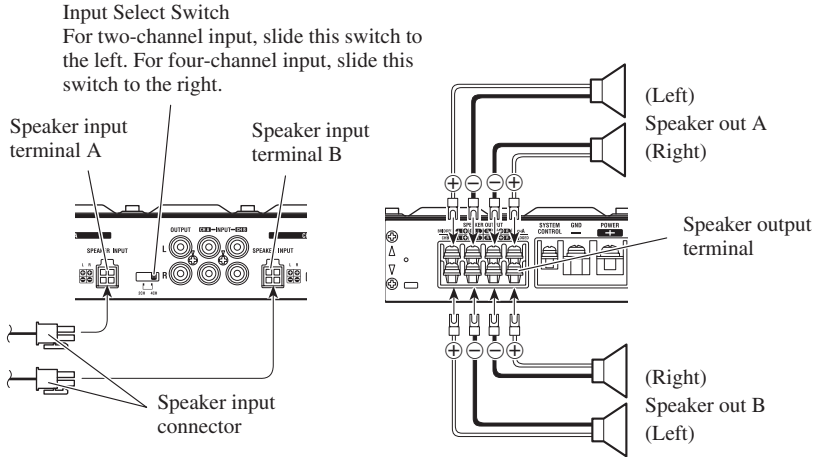
Speaker input connector
To speaker input terminal of this unit.

Connecting the Speaker wires

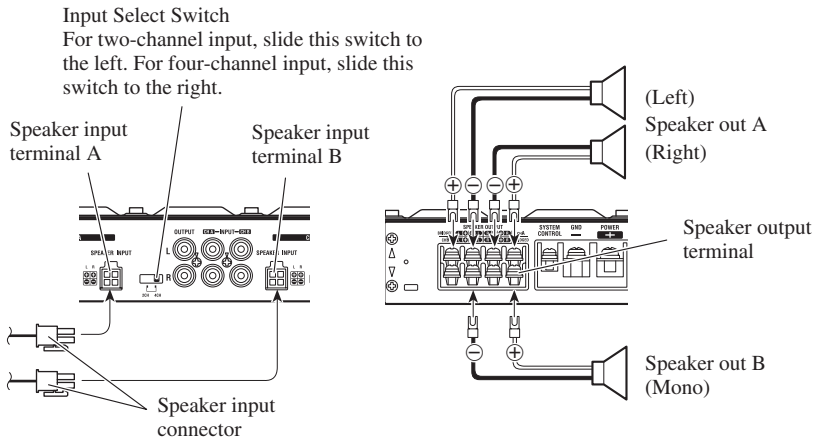
The speaker output mode can be four-channel, three-channel (stereo + mono) or two-channel (stereo, mono). Connect the speaker leads to suit the mode according to the figures shown below.

- When either the RCA input or the speaker input is connected, RCA output becomes functional. Do not connect both the RCA input and the speaker input at the same time.

Four-channel mode

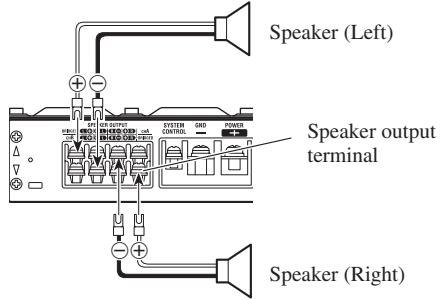
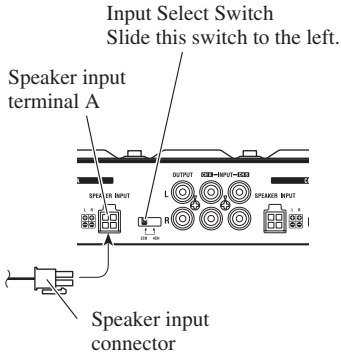


Three-channel mode

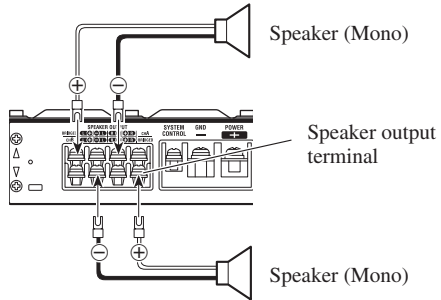
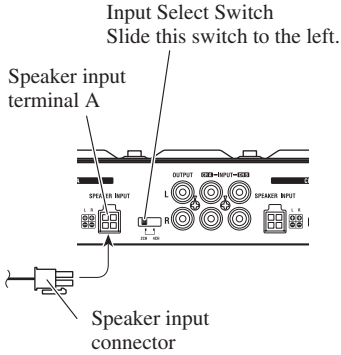


Connecting the Unit

Two-channel mode (Stereo)



Two-channel mode (Mono)



CAUTION

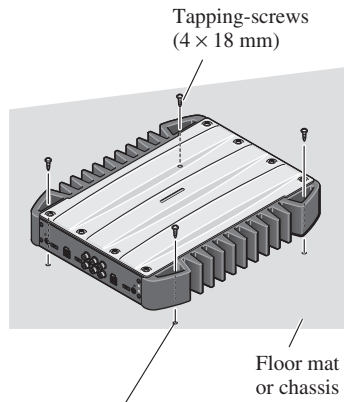
- Do not install in:
 - Places where it could injure the driver or passengers if the vehicle stops suddenly.
 - Places where it may interfere with the driver, such as on the floor in front of the driver's seat.
- Make sure that wires are not caught in the sliding mechanism of the seats, resulting in a short-circuit.
- Confirm that no parts are behind the panel when drilling a hole for installation of the amplifier. Protect all cables and important equipment such as fuel lines, brake lines and electrical wiring from damage.
- Install tapping screws in such a way that the screw tip does not touch any wire. This is important to prevent wires from being cut by vibration of the car, which can result in fire.
- To prevent electric shock, do not install the amplifier in places where it might come in contact with liquids.
- To ensure proper installation, use the supplied parts in the manner specified. If any parts other than the supplied ones are used, they may damage internal parts of the amplifier, or they may become loose causing the amplifier to shut down.

To prevent malfunction

- To ensure proper heat dissipation of the amplifier, be sure of the following during installation.
 - Allow adequate space above the amplifier for proper ventilation.
 - Do not cover the amplifier with a floor mat or carpet.
- Do not install the amplifier near a door where it may get wet.
- Do not install the amplifier on unstable places such as the spare tire board.
- The best location for installation differs with the car model and installation location. Secure the amplifier at a sufficiently rigid location.
- Make temporary connections first and check that the amplifier and the system operate properly.
- After installing the amplifier, confirm that the spare tire, jack and tools can be easily removed.

Example of installation on the floor mat or on the chassis

1. Place the amplifier where it is to be installed. Insert the supplied tapping screws (4 × 18 mm) into the screw holes. Push on the screws with a screwdriver so they make marks where the installation holes are to be located.
2. Drill 2.5 mm diameter holes at the point marked, and install the amplifier, either on the carpet or directly to the chassis.



Drill a 2.5 mm diameter hole

GM-X574

Power source	14.4 V DC (10.8 — 15.1 V allowable)
Grounding system	Negative type
Current consumption	26.5 A (at continuous power, 4 Ω)
Average current drawn*	9.1 A (4 Ω for four channels) 14.2 A (4 Ω for two channels)
Fuse	25 A \times 2
Dimensions	269 (W) \times 50 (H) \times 309 (D) mm
Weight	3.7 kg (Leads for wiring not included)
Maximum power output	100 W \times 4 / 260 W \times 2
Continuous power output	70 W \times 4 / 160 W \times 2 (DIN45324, +B=14.4 V)
Load impedance	4 Ω (2 — 8 Ω allowable) (Bridge connection: 4 — 8 Ω allowable)
Frequency response	10 — 45,000 Hz (+0 dB, -1 dB)
Signal-to-noise ratio	97 dB (IEC-A network)
Distortion	0.008% (10 W, 1 kHz)
Separation	65 dB (1 kHz)
Low pass filter	Cut off frequency: 80 Hz Cut off slope: -12 dB/oct
High pass filter	Cut off frequency: 80 Hz Cut off slope: -12 dB/oct
Maximum input level/impedance	RCA: 6.5 V/22 k Ω (0.2 — 6.5 V) Speaker: 26 V/40 k Ω (0.8 — 26 V)

Note:

- Specifications and the design are subject to possible modification without notice due to improvements.

*Average current drawn

- The average current drawn is nearly the maximum current drawn by this unit when an audio signal is input. Use this value when working out total current drawn by multiple power amplifiers.

GM-X374

Power source	14.4 V DC (10.8 — 15.1 V allowable)
Grounding system	Negative type
Current consumption	19.2 A (at continuous power, 4 Ω)
Average current drawn*	6.7 A (4 Ω for four channels) 10.9 A (4 Ω for two channels)
Fuse	30 A
Dimensions	265 (W) \times 50 (H) \times 237 (D) mm
Weight	2.8 kg (Leads for wiring not included)
Maximum power output	70 W \times 4 / 200 W \times 2
Continuous power output	45 W \times 4 / 100 W \times 2 (DIN45324, +B=14.4 V)
Load impedance	4 Ω (2 — 8 Ω allowable) (Bridge connection: 4 — 8 Ω allowable)
Frequency response	10 — 45,000 Hz (+0 dB, -1 dB)
Signal-to-noise ratio	100 dB (IEC-A network)
Distortion	0.008% (10 W, 1 kHz)
Separation	65 dB (1 kHz)
Low pass filter	Cut off frequency: 80 Hz Cut off slope: -12 dB/oct
High pass filter	Cut off frequency: 80 Hz Cut off slope: -12 dB/oct
Maximum input level/impedance	RCA: 6.5 V/22 k Ω (0.2 — 6.5 V) Speaker: 26 V/40 k Ω (0.8 — 26 V)

Note:

- Specifications and the design are subject to possible modification without notice due to improvements.

***Average current drawn**

- The average current drawn is nearly the maximum current drawn by this unit when an audio signal is input. Use this value when working out total current drawn by multiple power amplifiers.

Antes de usar este producto	2
Composición de manual	2
En caso de desperfectos	2
ADVERTENCIA	2

Ajuste de esta unidad	3
Control de ganancia	3
Interruptor de selección de entrada	3
Indicador de alimentación	4
Interruptor BFC (Control de la frecuencia de batido)	4
Interruptor de selección LPF (Filtro de paso bajo)/HPF (Filtro de paso alto)	4

Conexión de la unidad	5
Diagrama de conexión	7
Conexión del terminal de alimentación	8
Conexión del terminal de salida de altavoz	8
Uso de la entrada de altavoz	9
Conexión de los cables de altavoces	10

Instalación	12
Ejemplo de instalación en la alfombra del piso o en el chasis	12

Especificaciones	13
-------------------------------	-----------

Este producto cumple con las Directivas EMC (89/336/CEE, 92/31/CEE) y Directiva de Marcación CE (93/68/CEE).

Muchas gracias por la adquisición de este producto PIONEER. Antes de tratar de operarlo, lea atentamente este manual.

Composición de manual

Este manual se aplica a los modelos GM-X574 y GM-X374. Sin embargo, las ilustraciones solamente muestran el GM-X574.

En caso de desperfectos

Si esta unidad no funciona correctamente, póngase en contacto con su distribuidor o con el Centro de Servicio PIONEER autorizado más cercano.

ADVERTENCIA

- Siempre utilice el cable de batería rojo especial y el cable de tierra [RD-223], vendidos separadamente. Conecte el cable de batería directamente al terminal positivo de la batería del vehículo (+) y el cable de tierra a la carrocería del vehículo.
- No toque en el amplificador con las manos mojadas. Caso contrario, usted puede llevar un choque eléctrico. Igualmente, no toque en el amplificador cuando esté mojado.
- Para seguridad del tráfico y para mantener condiciones de conducción seguras, mantenga el volumen suficientemente bajo de manera que aun se pueda escuchar el sonido del tráfico normal.
- Verifique las conexiones del suministro de energía y altavoces para ver si el fusible del cable de batería vendido separadamente o el fusible del amplificador se queman. Detecte la causa y solucione el problema, y reemplace el fusible con un otro del mismo tamaño y régimen.
- Para evitar mal funcionamiento del amplificador y altavoces, el circuito de protección cortará la alimentación al amplificador (el sonido se detendrá) cuando se produzca una situación anormal. En tal caso, apague el sistema y verifique la conexión de la alimentación y altavoces. Detecte la causa y resuelva el problema.
- Contacte a su distribuidor si no puede detectar la causa.
- Para evitar choques eléctricos o cortocircuitos durante la conexión e instalación, asegúrese de desconectar el terminal negativo (-) de la batería antes de proceder.
- Confirme que ninguna parte quede detrás del panel, cuando perfore un orificio para la instalación del amplificador. Asegúrese de proteger todos los cables y equipos importantes, tales como líneas de combustibles, líneas de frenos y el cableado eléctrico.

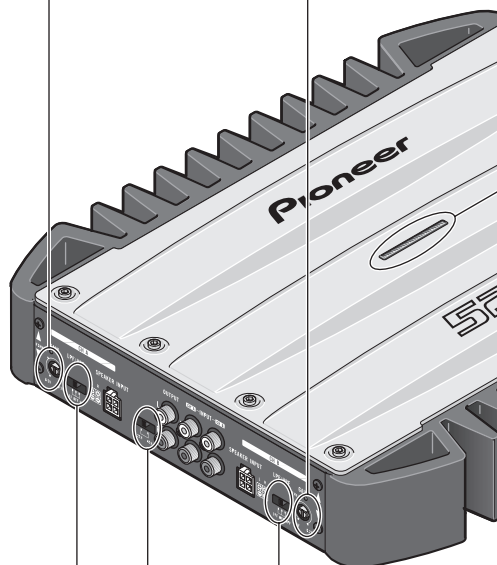
Control de ganancia

El ajuste de los controles de ganancia A y B le ayuda a igualar la salida del equipo estéreo para automóvil al amplificador Pioneer. Normalmente, ajuste los controles de ganancia a la posición "NORMAL". Si la potencia de salida está baja aún cuando se aumenta el volumen del equipo estéreo del automóvil, gire esos controles a la derecha. Si se produce distorsión cuando se aumenta el volumen del equipo estéreo de automóvil, gire los controles a la izquierda.

- Si se usa solamente un enchufe de entrada, ajuste los controles de ganancia para las salidas de altavoz A y B a la misma posición.
- Cuando se usa un estéreo de automóvil equipado con RCA (salida estándar de 500 mV), ajuste a la posición NORMAL. Cuando use con un estéreo de automóvil Pioneer equipado con RCA con una salida máxima de 4 V o más, ajuste el nivel para adecuarse al nivel de salida del estéreo del automóvil.
- Si se oye ruido excesivo cuando se usan los terminales de entrada de altavoz, gire el control de nivel a la izquierda.

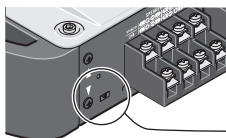
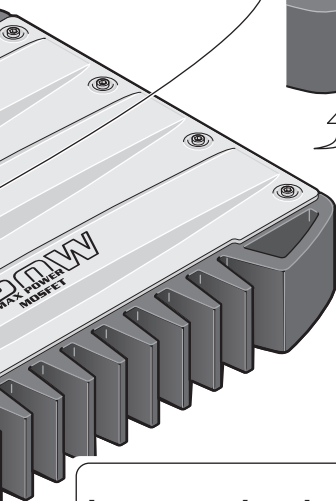
Interruptor de selección de entrada

Para la entrada de dos canales, deslice este interruptor hacia la izquierda. Para la entrada de cuatro canales, deslice este interruptor hacia la derecha.



Indicador de alimentación

El indicador de alimentación se ilumina cuando la unidad se encuentra activada.



Interruptor BFC (Control de la frecuencia de batido)

Si escucha sonidos de batido mientras está recibiendo una emisora de MW/LW con su estéreo de automóvil, cambie el interruptor BFC usando un destornillador pequeño.

Interruptor de selección LPF (Filtro de paso bajo)/HPF (Filtro de paso alto)

Ajuste el interruptor de selección LPF/HPF de la manera siguiente, de acuerdo al tipo de altavoz que se encuentra conectado al conector de salida de altavoz y al sistema estéreo de automóvil:

Interruptor de selección LPF/HPF	Gama de frecuencia de audio a ser generada	Tipo de altavoz	Observaciones
LPF (izquierda)	Gama de frecuencia muy baja	Altavoz de graves secundario	Conecte a un altavoz de graves secundario.
OFF (central)	Gama completa	Gama completa	
HPF (derecha)	Gama de frecuencia baja a gama de frecuencia alta	Gama completa	Utilice si desea cortar la gama de frecuencia muy baja debido a que no es necesaria para el altavoz que está usando.

PRECAUCION

- Quite el terminal negativo (–) de la batería para evitar riesgo de cortocircuitos y daño a la unidad.
- Asegure el alambrado con abrazaderas de cable o cinta adhesiva. Para proteger el alambrado, envuelva cinta adhesiva alrededor de ellos en donde contacta con partes metálicas.
- No tienda cables por donde puedan calentarse, por ejemplo donde el calentador sople sobre ellos. Si la aislación se calienta, podría resultar dañada, resultando en cortocircuito a través de la carrocería del vehículo.
- Asegúrese que los alambres no interfieran con partes móviles del vehículo como la palanca de cambios, el freno de mano o el mecanismo de deslizamiento de los asientos.
- No corte ningún cable. De otra manera, el circuito de protección podría no funcionar cuando debiera.
- Nunca alimente otro equipo cortando la aislación del cable de alimentación y conectándolo al cable. La capacidad de corriente del cable será excedida, causando sobrecalentamiento.

Para prevenir de daños

- No conecte a tierra (masa) el cable del altavoz directamente ni conecte un cable negativo (–) a varios altavoces.
- Esta unidad es para vehículos con una batería de 12 voltios y terminal negativo a tierra. Antes de instalar en un vehículo de recreación, camión u ómnibus, verifique el voltaje de la batería.
- Si el sistema estereofónico del coche está funcionando por un largo período de tiempo mientras el motor permanece inactivo o en marcha al ralentí, la batería puede agotarse. Apague el estéreo de automóvil cuando el motor se encuentre funcionando en marcha al ralentí o permanece inactivo.
- Si el cable del control remoto de sistema del amplificador se conecta al terminal de alimentación a través del interruptor de encendido (12 V de CC), el amplificador estará siempre activado cuando el encendido está activado, sin considerar de si el estéreo de automóvil se encuentra activado o desactivado. Debido a esto, la batería puede agotarse si deja el motor funcionando en marcha al ralentí o permanece inactivo.
- Los altavoces a ser conectados al amplificador deben estar conforme con las normas listadas debajo. Si no cumplen con las normas, pueden combustionar, emitir humos o dañarse. El impedimento altavoz debe estar de 2 a 8 ohms, pero en caso de que dos canales y otros puentes contacten, el impedimento de altavoz debe estar de 4 a 8 ohms.
- Instale y coloque el cable de batería vendido separadamente lo más alejado posible de los cables de los altavoces. Instale y coloque el cable de batería y cable de tierra vendidos separadamente, los cables de los altavoces, y el amplificador lo más alejados posible de la antena, cable de antena y sintonizador.

• Los cables para esta unidad y aquéllas para las unidades pueden ser de colores diferentes aun si tienen la misma función. Cuando se conecta esta unidad a otra, refiérase a los manuales de instalación de ambas unidades y conecte los cables que tienen la misma función.

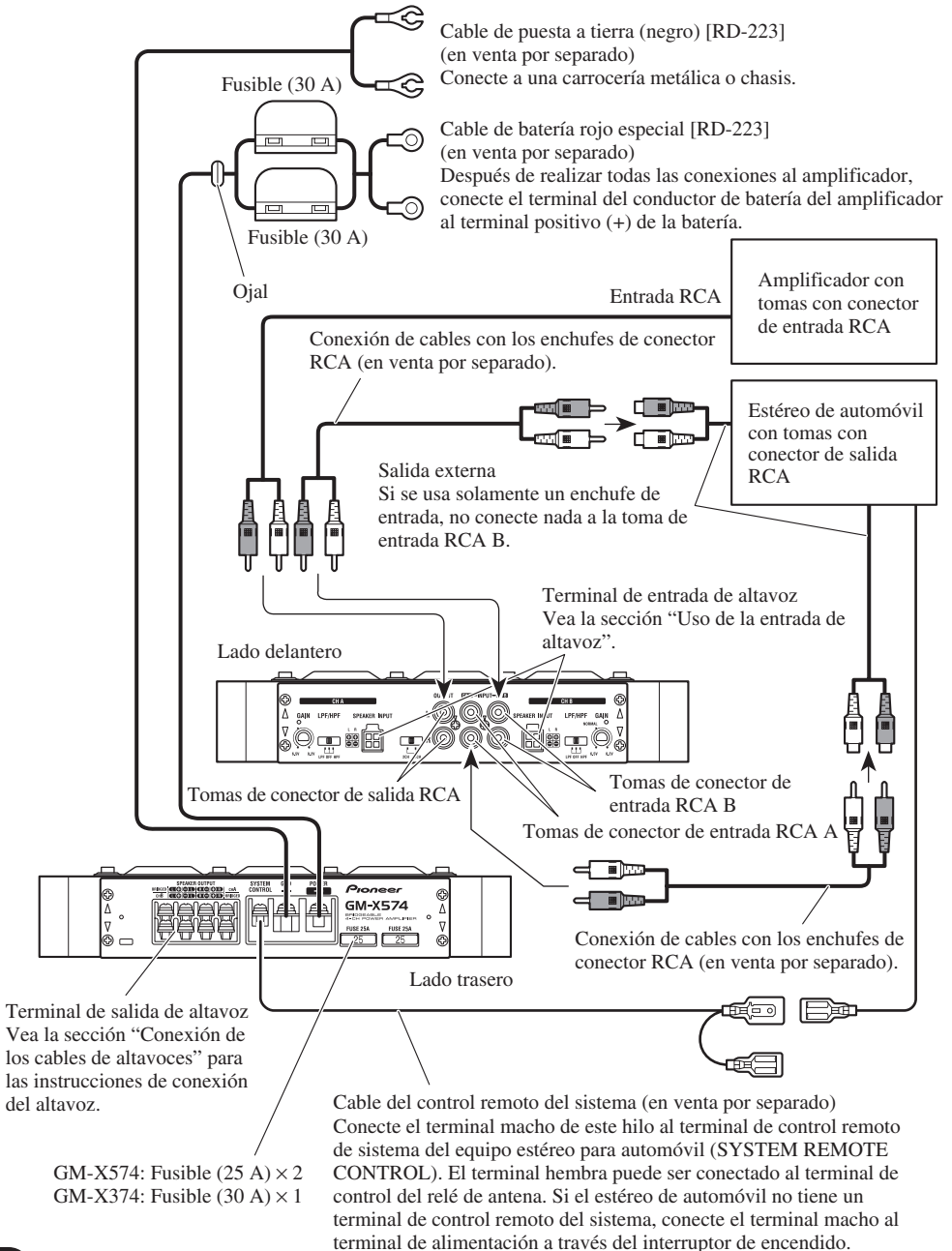
GM-X574

Canal de altavoces	Tipo de altavoz	Alimentación
Cuatro canales	Altavoz de graves secundario	Entrada nominal: 55 W mín.
	Diferente a un altavoz de graves secundario	Entrada máxima: 100 W mín.
Dos canales	Altavoz de graves secundario	Entrada nominal: 135 W mín.
	Diferente a un altavoz de graves secundario	Entrada máxima: 260 W mín.
Salida de altavoz A de tres canales	Altavoz de graves secundario	Entrada nominal: 55 W mín.
	Diferente a un altavoz de graves secundario	Entrada máxima: 100 W mín.
Salida de altavoz B de tres canales	Altavoz de graves secundario	Entrada nominal: 135 W mín.
	Diferente a un altavoz de graves secundario	Entrada máxima: 260 W mín.

GM-X374

Canal de altavoces	Tipo de altavoz	Alimentación
Cuatro canales	Altavoz de graves secundario	Entrada nominal: 40 W mín.
	Diferente a un altavoz de graves secundario	Entrada máxima: 70 W mín.
Dos canales	Altavoz de graves secundario	Entrada nominal: 100 W mín.
	Diferente a un altavoz de graves secundario	Entrada máxima: 200 W mín.
Salida de altavoz A de tres canales	Altavoz de graves secundario	Entrada nominal: 40 W mín.
	Diferente a un altavoz de graves secundario	Entrada máxima: 70 W mín.
Salida de altavoz B de tres canales	Altavoz de graves secundario	Entrada nominal: 100 W mín.
	Diferente a un altavoz de graves secundario	Entrada máxima: 200 W mín.

Diagrama de conexión

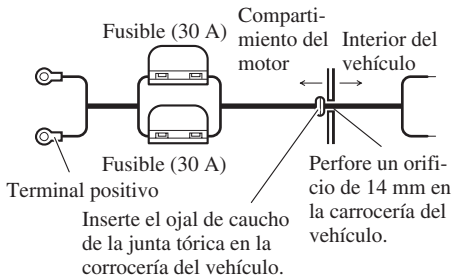


Conexión del terminal de alimentación

- Siempre utilice el cable de batería rojo especial y el cable de tierra [RD-223], vendidos separadamente. Conecte el cable de batería directamente al terminal positivo de la batería del vehículo (+) y el cable de tierra a la carrocería del vehículo.

1. Pase el cable de batería desde el compartimiento del motor al interior del vehículo.

- Luego de hacer todas las otras conexiones al amplificador, conecte el terminal del conductor de batería del amplificador al terminal positivo (+) de la batería.

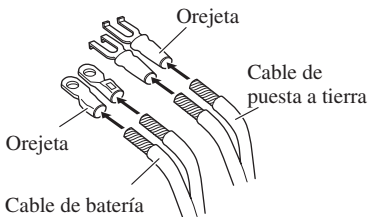


2. Tuerza el cable de batería, cable de puesta a tierra y cable de control remoto del sistema.



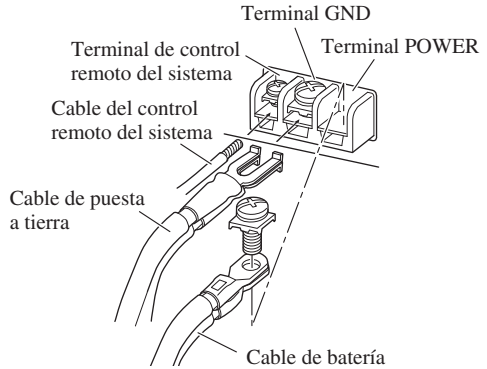
3. Fije las orejetas a los extremos de los cables. Orejetas no suministrados.

- Utilice alicates, etc. para plegar las orejetas a los cables.



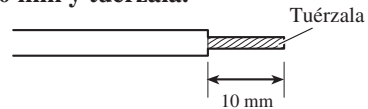
4. Conecte los cables al terminal.

- Fijar los cables firmemente utilizando los tornillos para terminales.



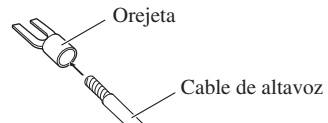
Conexión del terminal de salida de altavoz

1. Desnude la extremidad de los cables de altavoces utilizando alicates o una tajadera por aproximadamente 10 mm y tuérzala.



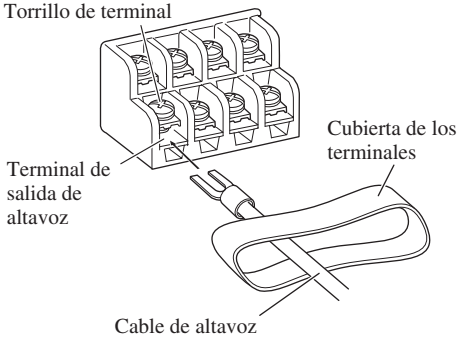
2. Fije las orejetas a los extremos de los cables de altavoz. Orejetas no suministrados.

- Utilice alicates, etc. para plegar las orejetas a los cables.

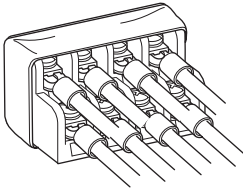


3. Conecte los cables de altavoz al terminal de salida de altavoz.

- Conecte los hilos de altavoz, pasándolos a través de la cubierta de los terminales.
- Fije los cables firmemente utilizando los tornillos para terminales.



4. Empuje la cubierta de los terminales.

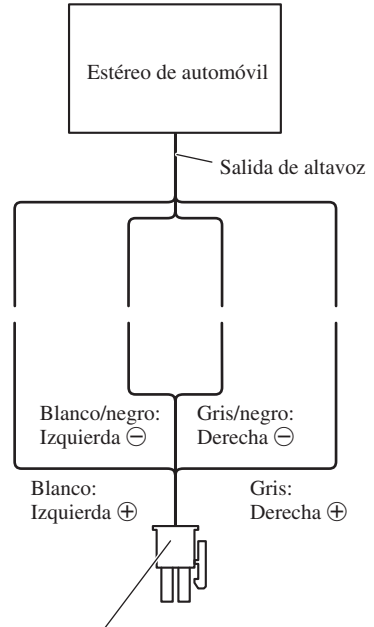


Uso de la entrada de altavoz

Conecte los hilos de la salida de altavoz del estéreo de automóvil al amplificador usando el conector de entrada de altavoz suministrado.

- No poder conectar tanto la entrada de RCA y la entrada de altavoz al mismo tiempo.

■ Conexiones cuando se usa la entrada de altavoz



Conector de entrada de altavoz
Al terminal de entrada de altavoz de esta unidad.

Conexión de los cables de altavoces

El modo de salida de altavoz puede ser de cuatro canales, tres canales (estéreo + mono) o dos canales (estéreo, mono). Conecte los cables de altavoz para ajustarse al modo según los diagramas mostrados abajo.

- Cuando la entrada de RCA o la entrada de altavoz está conectada, la salida de RCA viene funcionada. No poder conectar tanto la entrada de RCA y la entrada de altavoz al mismo tiempo.

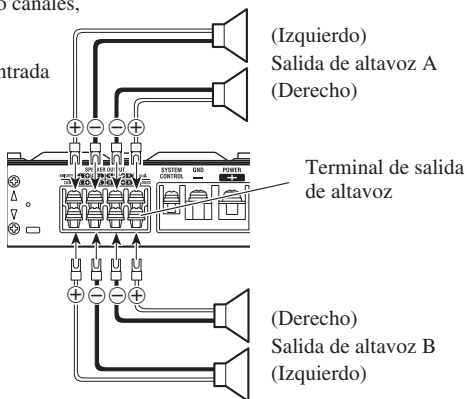
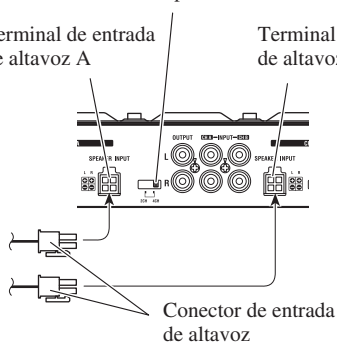
Modo de cuatro canales

Interruptor de selección de entrada

Para la entrada de dos canales, deslice este interruptor hacia la izquierda. Para la entrada de cuatro canales, deslice este interruptor hacia la derecha.

Terminal de entrada de altavoz A

Terminal de entrada de altavoz B



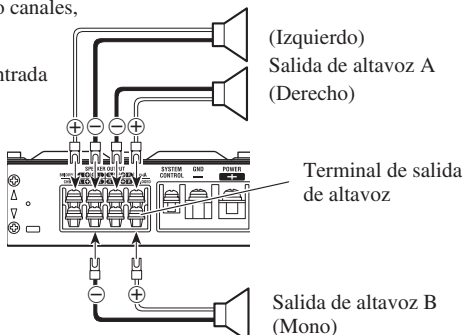
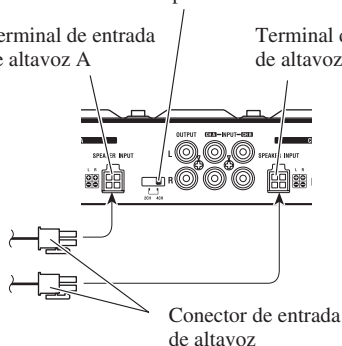
Modo de tres canales

Interruptor de selección de entrada

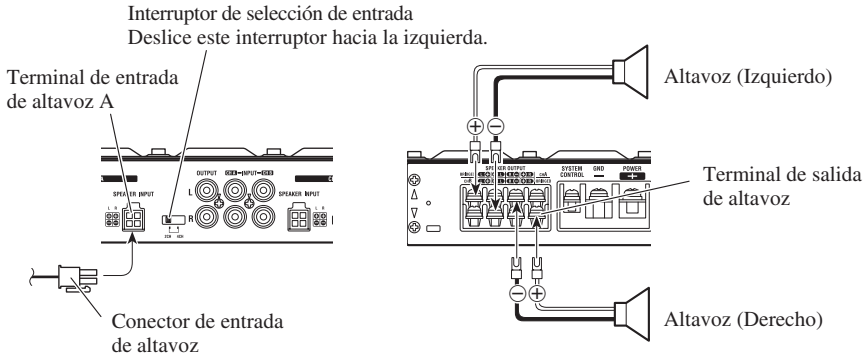
Para la entrada de dos canales, deslice este interruptor hacia la izquierda. Para la entrada de cuatro canales, deslice este interruptor hacia la derecha.

Terminal de entrada de altavoz A

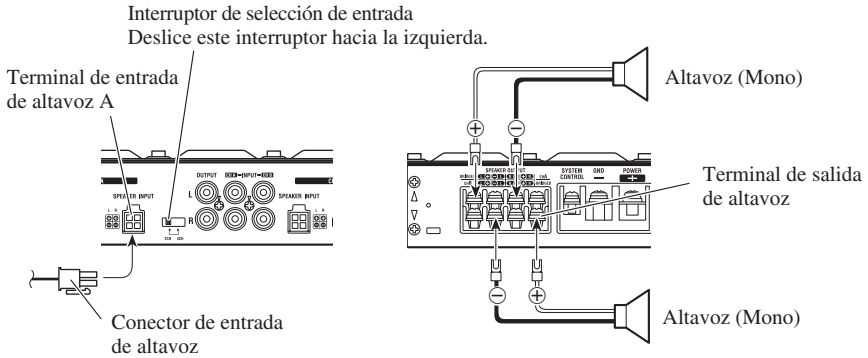
Terminal de entrada de altavoz B



Modo de dos canales (estéreo)



Modo de dos canales (mono)



PRECAUCION

- No lo instale en:
 - Donde podría lesionar al conductor o a los pasajeros si se detiene el vehículo bruscamente.
 - Donde podría interferir con el conductor, como por ejemplo en el piso en frente al asiento del conductor.
- Asegúrese que los cables no se enganchen en el mecanismo deslizante de los asientos, resultando en cortocircuito.
- Confirme que ninguna parte quede detrás del panel, cuando perfore un orificio para la instalación del amplificador. Asegúrese de proteger todos los cables y equipos importantes, tales como líneas de combustibles, líneas de frenos y el cableado eléctrico.
- Instale los tornillos de conexión de manera tal que la punta del tornillo no toque ningún cable. Esto es importante para evitar que los cables se corten por vibración del automóvil, lo que podría causar un incendio.
- Para evitar choques eléctricos, no instale el amplificador en donde pueda entrar en contacto con líquidos.
- Para asegurar una instalación apropiada, utilice las partes suministradas de la manera específica. Si se utiliza cualquier otra parte que no sean las suministradas, puede dañarse las partes internas del amplificador, o pueden aflojarse y el amplificador puede dejar de funcionar.

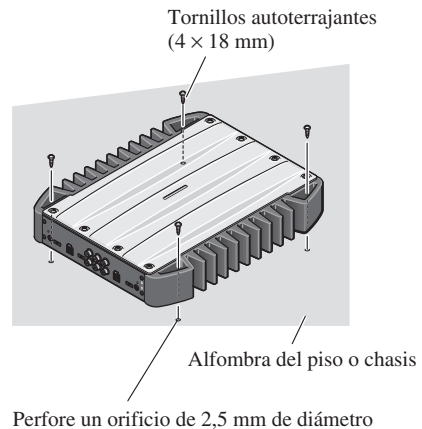
Para evitar fallas del funcionamiento

- Para asegurar la disipación de calor apropiada del amplificador, cuide de lo siguiente durante la instalación.
 - Permita un espacio adecuado en la parte superior del amplificador para una ventilación apropiada.
 - No cubra el amplificador con la cubierta de piso o alfombra.
- No instale el amplificador cerca de una puerta en donde puede ser mojado por la lluvia.
- No instale el amplificador sobre superficies inestables como el tablero del neumático de repuesto.
- Confirme que ninguna parte quede detrás del panel, cuando perfore un orificio para la instalación del amplificador. Asegúrese de proteger todos los cables y equipos importantes, tales como líneas de combustibles, líneas de frenos y el cableado eléctrico.
- Realice primero conexiones provisionarias y compruebe que el amplificador y el sistema operan adecuadamente.

- Para asegurar una instalación apropiada, utilice las partes suministradas de la manera específica. Si se utiliza cualquier otra parte que no sean las suministradas, puede dañarse las partes internas del amplificador, o pueden aflojarse y el amplificador puede dejar de funcionar.

Ejemplo de instalación en la alfombra del piso o en el chasis

1. Ubique el amplificador en la posición en donde va a ser instalado. Inserte los tornillos autoterrajantes suministrados (4×18 mm) en los orificios de los tornillos. Presione los tornillos con un destornillador de modo que puedan dejar puntos marcados de la posición en donde irán los orificios para la instalación.
2. Perfore orificios de 2,5 mm de diámetro en el punto marcado, e instale el amplificador, ya sea en la alfombra o directamente en el chasis.



GM-X574

Alimentación	14,4 V CC (10,8 — 15,1 V permisible)
Sistema de puesta a tierra	Tipo negativo
Consumo de corriente	26,5 A (potencia continua, 4 Ω)
Consumo de corriente promedio*	9,1 A (4 Ω para cuatro canales) 14,2 A (4 Ω para dos canales)
Fusible	25 A \times 2
Dimensiones	269 (An) \times 50 (Al) \times 309 (Pr) mm
Peso	3,7 kg (No se incluyen los conductores para el cableado)
Potencia de salida máxima	100 W \times 4 / 260 W \times 2
Potencia de salida continua	70 W \times 4 / 160 W \times 2 (DIN45324, +B = 14,4 V)
Impedancia de carga	4 Ω (2 — 8 Ω permisible) (Acoplamiento en derivación: 4 — 8 Ω permisible)
Respuesta de frecuencia	10 — 45.000 Hz (+0 dB, -1 dB)
Relación de señal a ruido	97 dB (IEC-Red A)
Distorsión	0,008% (10 W, 1 kHz)
Separación de canales	65 dB (1 kHz)
Filtro de paso bajo	Frecuencia de corte: 80 Hz Pendiente de corte: -12 dB/oct
Filtro de paso alto	Frecuencia de corte: 80 Hz Pendiente de corte: -12 dB/oct
Impedancia/nivel de entrada máxima	RCA: 6,5 V/22 k Ω (0,2 — 6,5 V) Altavoz: 26 V/40 k Ω (0,8 — 26 V)

Nota:

- Las especificaciones y el diseño están sujetos a posibles modificaciones sin previo aviso debido a mejoramientos.

*Consumo de corriente promedio

- El consumo de corriente promedio es casi el consumo de corriente máximo de esta unidad, cuando se ingresa una señal de audio. Utilice este valor cuando tenga que trabajar con la corriente total consumida por múltiples amplificadores de potencia.

GM-X374

Alimentación	14,4 V CC (10,8 — 15,1 V permisible)
Sistema de puesta a tierra	Tipo negativo
Consumo de corriente	19,2 A (potencia continua, 4 Ω)
Consumo de corriente promedio*	6,7 A (4 Ω para cuatro canales) 10,9 A (4 Ω para dos canales)
Fusible	30 A
Dimensiones	265 (An) × 50 (Al) × 237 (Pr) mm
Peso	2,8 kg (No se incluyen los conductores para el cableado)
Potencia de salida máxima	70 W × 4 / 200 W × 2
Potencia de salida continua	45 W × 4 / 100 W × 2 (DIN45324, +B = 14,4 V)
Impedancia de carga	4 Ω (2 — 8 Ω permisible) (Acoplamiento en derivación: 4 — 8 Ω permisible)
Respuesta de frecuencia	10 — 45.000 Hz (+0 dB, -1 dB)
Relación de señal a ruido	100 dB (IEC-Red A)
Distorsión	0,008% (10 W, 1 kHz)
Separación de canales	65 dB (1 kHz)
Filtro de paso bajo	Frecuencia de corte: 80 Hz Pendiente de corte: -12 dB/oct
Filtro de paso alto	Frecuencia de corte: 80 Hz Pendiente de corte: -12 dB/oct
Impedancia/nivel de entrada máxima	RCA: 6,5 V/22 kΩ (0,2 — 6,5 V) Altavoz: 26 V/40 kΩ (0,8 — 26 V)

Nota:

- Las especificaciones y el diseño están sujetos a posibles modificaciones sin previo aviso debido a mejoramientos.

*Consumo de corriente promedio

- El consumo de corriente promedio es casi el consumo de corriente máximo de esta unidad, cuando se ingresa una señal de audio. Utilice este valor cuando tenga que trabajar con la corriente total consumida por múltiples amplificadores de potencia.

Vor Gebrauch dieses Produkts	2	Anschluß der Einheit	5
Aufbau der Anleitung	2	Auschlussschema	7
Im Störfall	2	Anschluß der Stromversorgung	8
WARNUNG	2	Anschluß der Lautsprecher-Ausgang- Klemmen	8
Einstellen dieses Geräts	3	Benutzung des Lautsprecher-Eingangs	9
Verstärkungsregelung	3	Anschließen der Lautsprecherkabel	10
Eingangswahlschalter	3	Einbau	12
Stromanzeige	4	Beispiel eines Einbaus auf einer Bodenmatte oder auf dem Rahmen	12
Interferenzschutzschalter (BFC)	4	Technische Daten	13
LPF (Tiefpaßfilter)/HPF (Hochpaßfilter)- Wahlschalter	4		

Dieses Produkt entspricht den EMC-Richtlinien (89/336/EEC, 92/31/EEC) und CE-Markierungsrichtlinien (93/68/EEC).

Vielen Dank für den Kauf dieses PIONEER Produkts. Diese Bedienungsanleitung vor der Inbetriebnahme sorgfältig durchlesen.

Aufbau der Anleitung

Diese Anleitung ist anwendbar für die Modelle GM-X574 und GM-X374. Die Abbildungen zeigen jedoch nur das Modell GM-X574.

Im Störfall

Bei Betriebsstörungen den Händler oder eine PIONEER-Kundendienststelle konsultieren.

WARNUNG

- Nur das getrennt erhältliche rote Spezial-Batterie- und Massekabel [RD-223] verwenden. Das Batteriekaabel direkt an den Pluspol (+) der Wagenbatterie und das Massekabel an Karosseriemasse anschließen.
- Fassen Sie den Verstärker nicht mit nassen Händen an, da Sie anderenfalls einen elektrischen Schlag erleiden können. Berühren Sie den Verstärker auch nicht, wenn dieser naß ist.
- Lassen Sie die Lautstärke so eingestellt, daß Sie beim Fahren noch Verkehrsgeräusche hören können. Es ist gefährlich, ein Fahrzeug zu führen, ohne Verkehrsgeräusche von außen hören zu können.
- Die Anschlüsse der Stromversorgung und der Lautsprecher überprüfen, wenn die Sicherung des getrennt erhältlichen Batteriekaabels oder die Verstärker-Sicherung durchbrennt. Machen Sie die Ursache ausfindig, beheben Sie die Störung, und ersetzen Sie die Sicherung dann durch eine andere mit derselben Größe und demselben Nennwert.
- Zur Vermeidung von Schäden am Verstärker und den Lautsprechern unterbricht eine Schutzschaltung automatisch die Stromversorgung zum Verstärker (der Klang setzt aus), sobald ein anormaler Betriebszustand eintritt. Stellen Sie den Betriebsschalter in diesem Fall auf OFF, und überprüfen Sie die Stromversorgungs- und Lautsprecheranschlüsse. Ermitteln Sie die Ursache des Problems und schaffen Sie umgehend Abhilfe.
- Wenden Sie sich bitte an Ihren Fachhändler, falls sich die Ursache der Störung nicht klären läßt.
- Trennen Sie zur Vermeidung von elektrischen Schlägen und Kurzschlüssen bei der Inbetriebnahme des Gerätes vorher unbedingt das Anschlußkabel vom negativen (-) Batteriepol ab.
- Überzeugen Sie sich, daß sich keine Teile hinter der Konsole befinden, wenn Sie ein Loch zum Einbau des Verstärkers bohren. Achten Sie darauf, daß alle Kabel und wichtigen Teile wie Benzin- und Bremsleitungen und die elektrischen Kabelbäume geschützt sind.

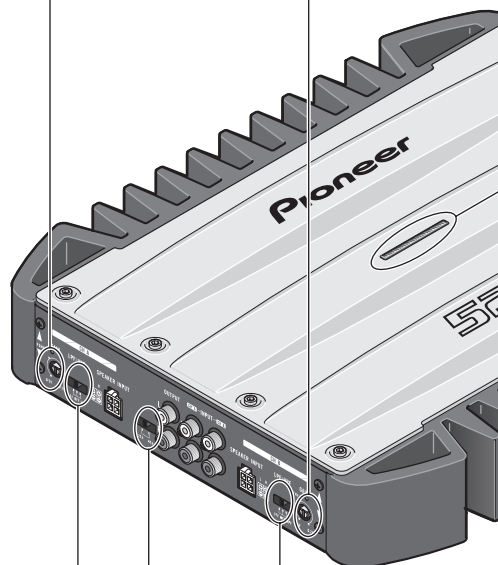
Verstärkungsregelung

Durch Einstellung der Verstärkungsregler A und B kann der Ausgang der Auto-Stereo-Anlage dem Pioneer-Verstärker angepaßt werden. Normalerweise wird der Verstärkungsregelung auf die Position "NORMAL" eingestellt. Wenn die Ausgangsleistung niedrig ist, obwohl die Lautstärke der Auto-Stereo-Anlage aufgedreht ist, drehen Sie diese Regler im Uhrzeigersinn. Falls Verzerrungen auftreten, wenn die Lautstärke der Auto-Stereo-Anlage aufgedreht wird, drehen Sie diese Regler im Gegenuhrzeigersinn.

- Falls Sie nur einen Eingangsstecker verwenden, stellen Sie die Verstärkungsregler für die Lautsprecherausgänge A und B auf dieselbe Position ein.
- Bei Gebrauch mit einer mit RCA ausgestatteten Auto-Stereoanlage (Standard-Ausgang 500 mV) auf die Position NORMAL einstellen. Bei Gebrauch mit einer mit RCA ausgestatteten Pioneer-Auto-Stereoanlage mit einem maximalen Ausgang von 4 V oder mehr den Pegel dem Auto-Stereoanlagen-Ausgangspegel anpassen.
- Falls bei Gebrauch der Lautsprecher-Eingangsbuchsen zu starke Störungen auftreten, den Verstärkungsregler im Gegenuhrzeigersinn drehen.

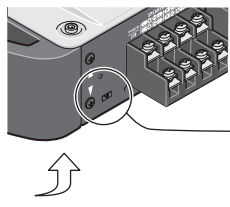
Eingangswahlschalter

Für Zwei-Kanal-Eingang diesen Schalter nach links legen. Für Vier-Kanal-Eingang diesen Schalter nach rechts legen.



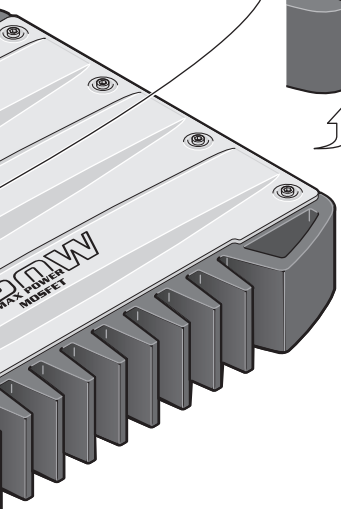
Stromanzeige

Die Stromanzeige leuchtet auf, wenn die Stromversorgung eingeschaltet wird.



Interferenzschutzschalter (BFC)

Verstellen Sie bitte den BFC-Schalter mittels eines kleinen empfohlenen Schraubenziehers, falls Sie bei eingestelltem MW/LW-Sender Hintergrundgeräusche hören.



LPF (Tiefpaßfilter)/HPF (Hochpaßfilter)-Wahlschalter

Stellen Sie den LPF/HPF-Wahlschalter wie in folgendem Diagramm beschrieben ein, in Abhängigkeit von dem Lautsprechertyp der am Lautsprecher-Ausgangsanschluß und dem Fahrzeugstereo-System vorhanden ist:

LPF/HPF- Wahlschalter	Auszugebender Audio-Frequenz-Bereich	Lautsprecher-Typ	Bemerkungen
LPF (Links)	Sehr niedriger Frequenz-Bereich	Subwoofer	Schließen Sie einen Subwoofer an.
OFF (Mitte)	Vollbereich	Vollbereich	
HPF (Rechts)	Niedriger Frequenz-Bereich bis zu hohem Frequenz-Bereich	Vollbereich	Wenn Sie die sehr niedrigen Frequenzen ausschalten wollen, da diese für Ihre Lautsprecher nicht notwendig sind.

VORSICHT

- Trennen Sie das Batterieanschlußkabel vom negativen (-) Batteriepol, um Kurzschlüsse und Schäden am Gerät zu vermeiden.
- Befestigen Sie die Kabel mit Kabelklemmen oder Klebeband. Kabel, die Kontakt mit Metallteilen haben, sollten an den betreffenden Stellen mit Klebeband isoliert werden.
- Vermeiden Sie beim Verlegen der Kabel Plätze, an denen die Kabel Wärmeeinwirkung ausgesetzt sind, wie z.B. in der Nähe der Heizung. Derartige Wärmeeinwirkung kann zu einer Beschädigung der Kabelisolierung und schließlich zu Kurzschlüssen über die Fahrzeugkarosserie führen.
- Achten Sie darauf, daß keines der Kabel bewegliche Fahrzeugteile, wie z.B. den Schalthebel, die Handbremse oder den Sitzverstellhebel, behindert.
- Kürzen Sie die Kabel nicht. Gekürzte Kabel können einen Ausfall der Schutzschaltung verursachen.
- Leiten Sie niemals Strom an andere Geräte, indem Sie die Isolierung des Spannungsversorgungskabels dieses Gerätes freilegen und anzapfen. Die hieraus resultierende Überschreitung der Spannungsbelastungskapazität des Kabels hat Überhitzung zur Folge.

Um Schäden zu vermeiden

- Keinesfalls das Lautsprecherkabel direkt erden oder einen negativen Anschluß (-) für mehrere Lautsprecher gleichzeitig anschließen.
- Dieses Gerät ist für Fahrzeuge mit einer 12 Volt Batterie und negativer Erdung bestimmt. Vor dem Einbau in ein Freizeitfahrzeug, Laster oder Bus, die Spannung der Batterie überprüfen.
- Wenn die Autostereoanlage längere Zeit eingeschaltet bleibt, während der Motor nicht oder nur im Leerlauf läuft, so könnte dies zu einer Entladung der Batterie führen. Schalten Sie Ihr Stereogerät aus, wenn der Motor im Leerlauf oder im Stillstand ist.
- Sollte die System-Fernbedienungskabel des Verstärkers am Stromanschluß über den Zündungsschalter angeschlossen sein (12 V Gleichspannung), so ist der Verstärker immer eingeschaltet, wenn die Zündung eingeschaltet wird, unabhängig davon, ob das Stereogerät ein- oder ausgeschaltet ist. In diesem Fall könnte es zu einer Entladung der Batterie kommen, wenn der Motor im Stillstand oder im Leerlauf betrieben wird.
- Die mit dem Verstaerker geschaltene Lautsprecher sollten folgenden Kriterien entsprechen. Sonst wuerden sie in Brand geraten, Qualm stossen oder beschaedigt werden. Die Impedanz des Lautsprechers musste zwischen 2 und 8 Ohm sein. Trotzdem musste sie der Binaural- und anderen Brueckenschaltung zwischen 4 und 8 Ohm sein.
- Das getrennt erhältliche Batterie-kabel installieren und möglichst weit von den Lautsprecherkabeln entfernt verlegen. Getrennt erhältliches Batterie-kabel, Massekabel, Lautsprecherkabel und Verstärker möglichst weit von Antenne, Antennenkabel und Tuner entfernt installieren/verlegen.

• Kabel dieses Geräts und die anderer Geräte können unterschiedliche Farben haben, auch wenn sie die gleichen Funktionen haben. Beim Anschluß dieses Geräts an ein anderes Gerät unter Bezugnahme auf die mit beiden Geräten mitgelieferten Installationsanleitungen die Kabel mit derselben Funktion verbinden.

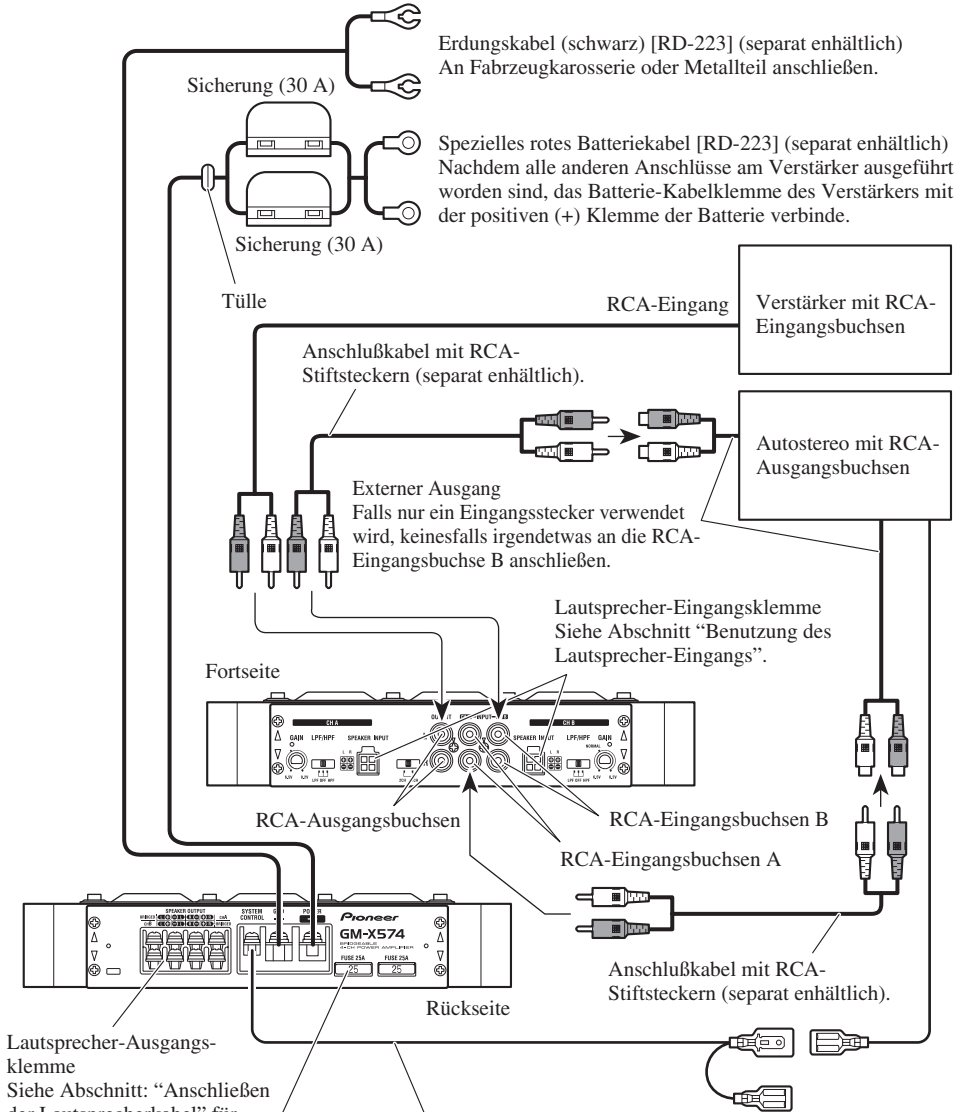
GM-X574

Lautsprecherkanal	Lautsprechertyp	Stromversorgung
Vier-Kanal	Subwoofer	Nominaler Eingang: Min. 55 W
	Andere als Subwoofer	Max. Eingang: Min. 100 W
Zwei-Kanal	Subwoofer	Nominaler Eingang: Min. 135 W
	Andere als Subwoofer	Max. Eingang: Min. 260 W
Drei-Kanal-Lautsprecher-Ausgang A	Subwoofer	Nominaler Eingang: Min. 55 W
	Andere als Subwoofer	Max. Eingang: Min. 100 W
Drei-Kanal-Lautsprecher-Ausgang B	Subwoofer	Nominaler Eingang: Min. 135 W
	Andere als Subwoofer	Max. Eingang: Min. 260 W

GM-X374

Lautsprecherkanal	Lautsprechertyp	Stromversorgung
Vier-Kanal	Subwoofer	Nominaler Eingang: Min. 40 W
	Andere als Subwoofer	Max. Eingang: Min. 70 W
Zwei-Kanal	Subwoofer	Nominaler Eingang: Min. 100 W
	Andere als Subwoofer	Max. Eingang: Min. 200 W
Drei-Kanal-Lautsprecher-Ausgang A	Subwoofer	Nominaler Eingang: Min. 40 W
	Andere als Subwoofer	Max. Eingang: Min. 70 W
Drei-Kanal-Lautsprecher-Ausgang B	Subwoofer	Nominaler Eingang: Min. 100 W
	Andere als Subwoofer	Max. Eingang: Min. 200 W

Abschlußschema



Erdungskabel (schwarz) [RD-223] (separat erhältlich)
An Fabrzeugkarosserie oder Metallteil anschließen.

Spezielles rotes Batteriekabel [RD-223] (separat erhältlich)
Nachdem alle anderen Anschlüsse am Verstärker ausgeführt
worden sind, das Batterie-Kabelklemme des Verstärkers mit
der positiven (+) Klemme der Batterie verbinde.

Verstärker mit RCA-
Eingangsbuchsen

Autostereo mit RCA-
Ausgangsbuchsen

Lautsprecher-Eingangsklemme
Siehe Abschnitt "Benutzung des
Lautsprecher-Eingangs".

Lautsprecher-Ausgangs-
klemme
Siehe Abschnitt: "Anschließen
der Lautsprecherkabel" für
Einzelheiten bezüglich des
Lautsprecheranschlusses.

GM-X574: Sicherung (25 A) × 2
GM-X374: Sicherung (30 A) × 1

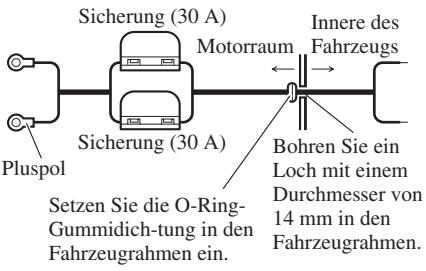
System-Fernbedienungskabel (separat erhältlich)
Den Stecker dieses Kabels an die System-Fernbedienungsbuchse der
Auto-Stereoanlage anschließen (SYSTEM REMOTE CONTROL).
Die Buchse kann am Auto-Antennen-Relais-Anschluß angeschlossen
werden. Sollte das Autostereo nicht über einen Fernbedienungs-
Systems-Regler-Anschluß verfügen, schließen Sie das steckteil am
Stromanschluß des Zündschalters an.

Anschluß der Stromversorgung

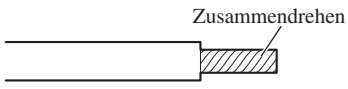
- Nur das getrennt erhältliche rote Spezial-Batterie- und Massekabel [RD-223] verwenden. Das Batterie-kabel direkt an den Pluspol (+) der Wagenbatterie und das Massekabel an Karosseriemasse anschließen.

1. Führen Sie das Batterie-kabel vom Motorraum in den Fahrgastraum.

- Nachdem alle Verkabelungen am Verstärker ausgeführt worden sind, verbinden Sie die Batterie-Kabelklemme des Verstärkers mit der positiven (+) Klemme der Batterie.

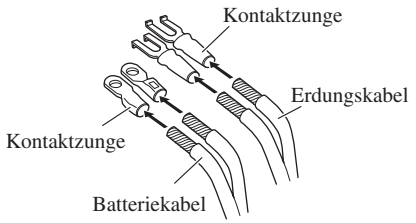


2. Verdrillen Sie Batterie-kabel, Massekabel und System-Fernbedienungskabel.



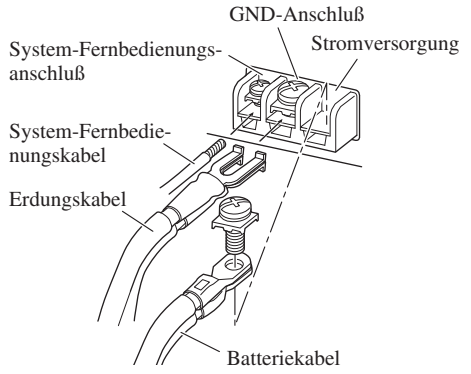
3. Bringen Sie Kabelschuhe an den Kabelenden an. Kontaktzungen nicht mitgeliefert.

- Mit einer Zange o.ä. die Kontaktzungen am Draht festklemmen.



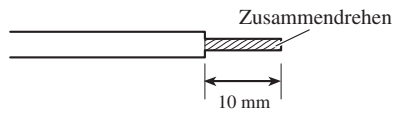
4. Die Drähte an die Klemme anschließen.

- Befestigen Sie die Drähte sicher mit den Klemmschrauben.



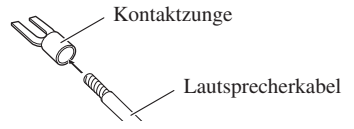
Anschluß der Lautsprecher-Ausgang-Klemmen

1. Die Enden der Lautsprecherkabel um ca. 10 mm mit einer Kneifzange oder einem Schneider abisolieren und die Kabelenden zusammen-drehen.



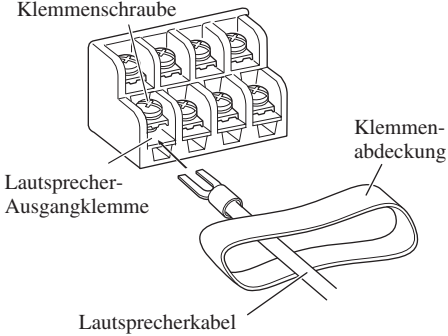
2. Bringen Sie Kabelschuhe an den Enden der Lautsprecherkabel an. Kontaktzungen nicht mitgeliefert.

- Mit einer Zange o.ä. die Kontaktzungen am Draht festklemmen.

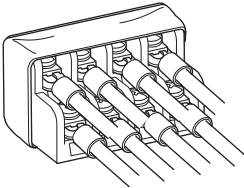


3. Schließen Sie die Lautsprecherkabel an die Lautsprecher-Ausgangsklemmen an.

- Die Lautsprecherkabel zum Anschluß durch die Klemmenabdeckung führen.
- Die Lautsprecherdrähte fest mit den Klemmschrauben befestigen.



4. Auf die Klemmenabdeckung drücken.

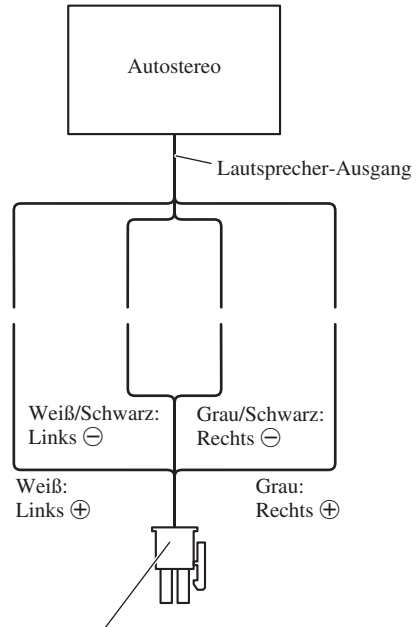


Benutzung des Lautsprecher-Eingangs

Den Eingangsdraht des Autostereolautsprechers mit dem gelieferten Verbinders an den Verstärker anschließen.

- So darf man das RCA-Input und das Input vom Lautsprecher nicht zur gleichen Zeit anschließen.

■ Verbindungen bei der Benutzung des Lautsprecher-Eingangs



Verbinders des Lautsprecher-Eingangs
Zum Lautsprecher-Eingangsklemme
dieses Geräts.

Anschließen der Lautsprecherkabel

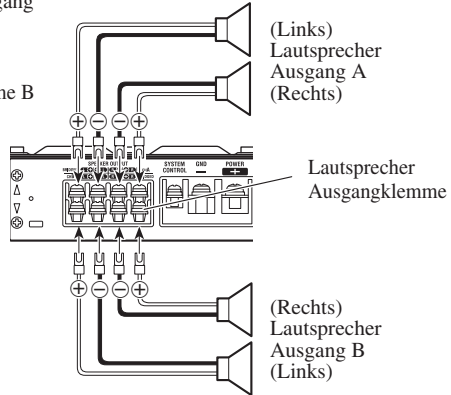
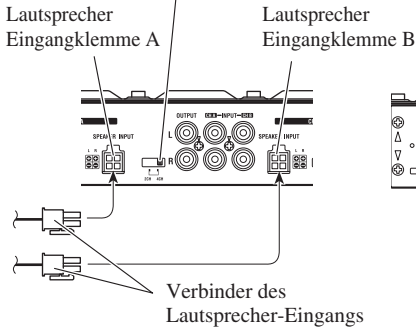
Der Lautsprecher-Ausgabe-Modus kann auf Vier-Kanal, Drei-Kanal (Stereo + Mono) oder Zwei-Kanal (Stereo, Mono) eingestellt werden. Schliessen Sie den Lautsprecherkabel an, um der Tonart anzupassen, gemäss folgenden Bilder.

- Wenn entweder das RCA-Input oder das Input vom Lautsprecher angeschlossen wird, tritt das RCA-Output in Funktion. So darf man das RCA-Input und das Input vom Lautsprecher nicht zur gleichen Zeit anschliessen.

Vier-Kanal-Modus

Eingangswahlschalter

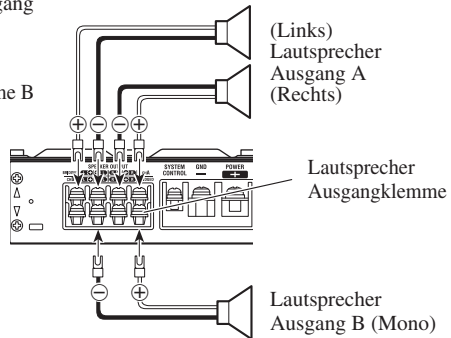
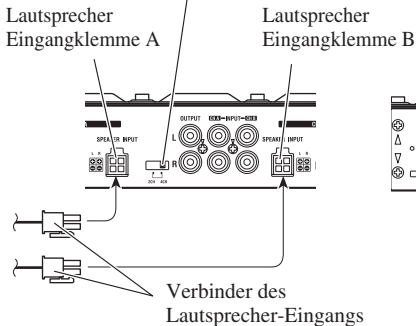
Für Zwei-Kanal-Eingang diesen Schalter nach links legen. Für Vier-Kanal-Eingang diesen Schalter nach rechts legen.



Drei-Kanal-Modus

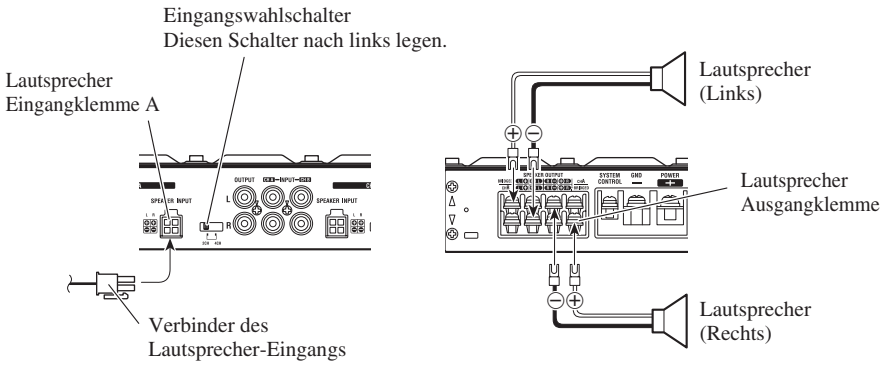
Eingangswahlschalter

Für Zwei-Kanal-Eingang diesen Schalter nach links legen. Für Vier-Kanal-Eingang diesen Schalter nach rechts legen.

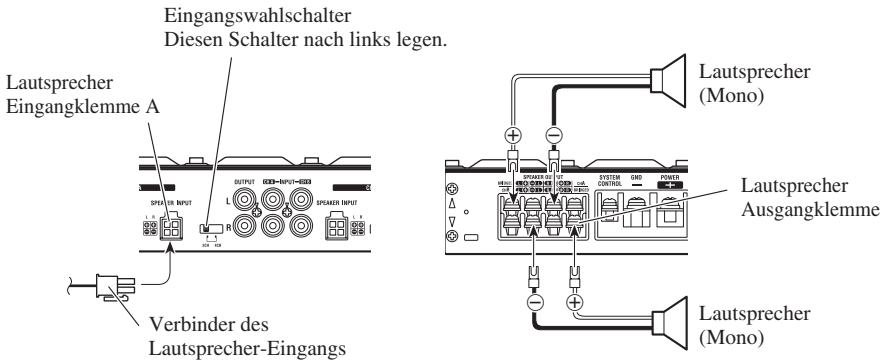


Anschluß der Einheit

Zwei-Kanal-Modus (Stereo)



Zwei-Kanal-Modus (Mono)



VORSICHT

- Keinesfalls an Orten einbauen:
 - Plätze, an denen sich der Fahrer oder die Fahrzeuginsassen bei plötzlichem Abbremsen am Gerät verletzen könnten.
 - Plätze, an denen das Gerät den Fahrer behindern könnte, wie z.B. auf dem Boden vor der Fahrersitz.
- Achten Sie darauf, daß sich die Anschlußkabel nicht im Schiebemechanismus der Sitze verklemmen und auf diese Weise einen Kurzschluß verursachen.
- Bestätigen Sie vor dem Bohren, daß sich hinter der Konsole keine Teile befinden, die nicht beschädigt werden dürfen. Schützen Sie alle Kabel und wichtigen Teile wie Benzinleitungen und Bremsleitungen und elektrischen Leitungen vor Schäden.
- Bringen Sie Schneidschrauben so an, daß die Schraubenspitze keines der Kabel berührt. Andernfalls können die Kabel durch die Vibrationen des Fahrzeugs beschädigt werden und Brände verursachen.
- Der Verstärker darf nicht an Stellen installiert werden, an denen er mit Flüssigkeiten in Berührung kommen könnte, da anderenfalls elektrische Schlaggefahr besteht.
- Um einen ordnungsgemäßen Einbau zu gewährleisten, verwenden Sie die mitgelieferten Teile wie spezifiziert. Falls andere Teile außer den spezifizierten verwendet werden, so könnten innere Teile des Verstärkers beschädigt werden oder diese könnten sich lösen, und der Verstärker sich ausschalten.

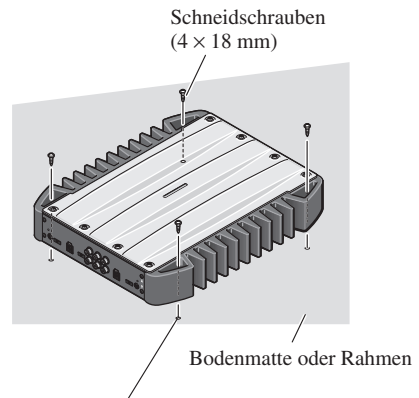
Verhindern von Fehlfunktionen

- Beachten Sie zur Gewährleistung ausreichender Wärmeableitung beim Einbau die folgende Punkte.
 - Lassen Sie genügend Freiraum über dem Verstärker, damit richtige Ventilation gewährleistet ist.
 - Decken Sie den Verstärker nicht mit einer Bodenmatte oder einem Teppich ab.
- Den Verstärker keinesfalls in der Nähe einer Tür einbauen, wo er naß werden könnte.
- Bauen Sie den Verstärker nicht an unstabilen Plätzen ein, wie z.B. auf dem Ersatzreifenhalter.
- Die beste Einbauposition ist je nach Autotyp unterschiedlich. Befestigen Sie den Verstärker an einem sicheren Platz.
- Führen Sie vorübergehende Anschlüsse zuerst durch, und stellen Sie sicher, daß der Verstärker und das System sicher funktionieren.

- Achten Sie nach dem Einbau des Verstärkers darauf, daß Ersatzreifen, Wagenheber und Werkzeuge noch leicht zugänglich sind.

Beispiel eines Einbaus auf einer Bodenmatte oder auf dem Rahmen

1. Legen Sie den Verstärker auf die Stelle, an welcher dieser eingebaut werden soll. Setzen Sie die mitgelieferten Schneidschrauben (4 × 18 mm) in die Schraubenlöcher ein. Drücken Sie die Schrauben mit einem Schraubenzieher, so daß diese Markierungen hinterlassen, wo diese eingesetzt werden sollen.
2. Bohren Sie Löcher mit einem Durchmesser von 2,5 mm an den zuvor markierten Punkten, und bringen Sie den Verstärker an, entweder direkt am Teppich oder am Rahmen.



Bohren Sie ein Loch mit einem Durchmesser von 2,5 mm

GM-X574

Stromversorgung	14,4 V Gleichspannung (Toleranz 10,8 — 15,1 V)
Erdungssystem	Negativ
Leistungsaufnahme	26,5 A (bei gleichbleibendem Strom, 4 Ω)
Durchschnittliche Stromentnahme*	9,1 A (4 Ω für Vier-Kanal) 14,2 A (4 Ω für Zwei-Kanal)
Sicherung	25 A \times 2
Abmessungen	269 (B) \times 50 (H) \times 309 (T) mm
Gewicht	3,7 kg (Kabel nicht eingeschlossen)
Max. Ausgangsleistung	100 W \times 4 / 260 W \times 2
Dauerausgangsleistung	70 W \times 4 / 160 W \times 2 (DIN45324, +B = 14,4 V)
Verbraucher-Impedanz	4 Ω (2 — 8 Ω zulässig) (Brückenverbindung: 4 — 8 Ω zulässig)
Frequenzgang	10 — 45.000 Hz (+0 dB, -1 dB)
Signalrauschabstand	97 dB (IEC-A-Netz)
Verzerrungen	0,008% (10 W, 1 kHz)
Kanaltrennung	65 dB (1 kHz)
Tiefpaßfilter	Trennfrequenz: 80 Hz Trennkurve: -12 dB/oct
Hochpaßfilter	Trennfrequenz: 80 Hz Trennkurve: -12 dB/oct
Max. Eingangsstufe/Impedanz	RCA: 6,5 V/22 k Ω (0,2 — 6,5 V) Lautsprecher: 26 V/40 k Ω (0,8 — 26 V)

Hinweis:

- Änderungen der technischen Daten und des Designs jederzeit vorbehalten.

*Durchschnittliche Stromentnahme

- Die durchschnittliche Stromentnahme entspricht fast der maximalen Stromentnahme dieses Gerätes, wenn ein Audiosignal eingegeben wird. Verwenden Sie diesen Wert, wenn Sie die Gesamtstromentnahmen für mehrere Leistungsverstärker berechnen wollen.

GM-X374

Stromversorgung	14,4 V Gleichspannung (Toleranz 10,8 — 15,1 V)
Erdungssystem	Negativ
Leistungsaufnahme	19,2 A (bei gleichbleibendem Strom, 4 Ω)
Durchschnittliche Stromentnahme*	6,7 A (4 Ω für Vier-Kanal) 10,9 A (4 Ω für Zwei-Kanal)
Sicherung	30 A
Abmessungen	265 (B) \times 50 (H) \times 237 (T) mm
Gewicht	2,8 kg (Kabel nicht eingeschlossen)
Max. Ausgangsleistung	70 W \times 4 / 200 W \times 2
Dauerausgangsleistung	45 W \times 4 / 100 W \times 2 (DIN45324, +B = 14,4 V)
Verbraucher-Impedanz	4 Ω (2 — 8 Ω zulässig) (Brückenverbindung: 4 — 8 Ω zulässig)
Frequenzgang	10 — 45.000 Hz (+0 dB, -1 dB)
Signalrauschabstand	100 dB (IEC-A-Netz)
Verzerrungen	0,008% (10 W, 1 kHz)
Kanaltrennung	65 dB (1 kHz)
Tiefpaßfilter	Trennfrequenz: 80 Hz Trennkurve: -12 dB/oct
Hochpaßfilter	Trennfrequenz: 80 Hz Trennkurve: -12 dB/oct
Max. Eingangsstufe/Impedanz	RCA: 6,5 V/22 k Ω (0,2 — 6,5 V) Lautsprecher: 26 V/40 k Ω (0,8 — 26 V)

Hinweis:

- Änderungen der technischen Daten und des Designs jederzeit vorbehalten.

***Durchschnittliche Stromentnahme**

- Die durchschnittliche Stromentnahme entspricht fast der maximalen Stromentnahme dieses Gerätes, wenn ein Audiosignal eingegeben wird. Verwenden Sie diesen Wert, wenn Sie die Gesamtstromentnahmen für mehrere Leistungsverstärker berechnen wollen.

Avant d'utiliser cet appareil	2	Raccordement de l'appareil	5
Composition du manuel	2	Schéma de raccordement	7
En cas d'anomalie	2	Raccordement de la borne d'alimentation	8
AVERTISSEMENT	2	Raccordement des bornes de sortie vers les haut-parleurs	8
Réglage de l'appareil	3	Usage de l'entrée de haut-parleur	9
Commande du gain	3	Connexion des câbles des haut-parleurs	10
Sélecteur d'entrée	3	Installation	12
Témoin d'alimentation	4	Exemple d'installation sur le tapis de sol ou sur le châssis	12
Interrupteur BFC (Commande de fréquence de battement)	4	Caractéristiques techniques	13
Sélecteur LPF (Filtre passe-bas)/ HPF (Filtre passe-haut)	4		

Ce produit est conforme aux directives relatives à la compatibilité électromagnétique (89/336/CEE, 92/31/CEE) et à la directive CE relative aux marquages (93/68/CEE).

Nous vous remercions d'avoir acheté cet appareil PIONEER. Avant de l'utiliser, prenez soin de lire ce manuel.

Composition du manuel

Ce manuel s'applique aux modèles GM-X574 et GM-X374. Cependant, les figures ne montrent que le modèle GM-X574.

En cas d'anomalie

En cas d'anomalie de fonctionnement, veuillez consulter le distributeur ou le centre d'entretien PIONEER le plus proche.

AVERTISSEMENT

- Utilisez le faisceau de câbles de liaison à la batterie (un câble rouge et un câble de masse) qui est vendu séparément [RD-223]. Reliez le câble rouge à la borne positive (+) de la batterie et le câble de masse à la carrosserie du véhicule.
- Ne touchez pas l'amplificateur quand vous avez les mains mouillées, faute de quoi vous risquez de ressentir une secousse électrique. Pareillement, ne touchez pas l'amplificateur s'il est mouillé.
- Pour votre sécurité et celles des autres usagers de la route, maintenez le niveau d'écoute à une valeur telle que les bruits de la circulation demeurent nettement perceptibles.
- Si le fusible monté sur le câble de liaison à la batterie, câble qui est vendu séparément, a grillé ou bien s'il en est ainsi de celui de l'amplificateur, vérifiez soigneusement toutes les connexions d'alimentation. Recherchez la cause de l'anomalie puis corrigez-la; enfin, remplacez le fusible grillé par un fusible de même taille et de même calibre.
- Pour éviter d'endommager l'amplificateur et les haut-parleurs, le circuit de protection coupe l'alimentation de l'amplificateur (les sons ne sont plus émis) dès que survient une situation anormale. Dans ce cas, mettez l'ensemble des appareils hors tension et contrôlez les liaisons entre l'amplificateur et les haut-parleurs. Le cas échéant, recherchez la cause de l'anomalie et corrigez-la.
- Consultez le revendeur si vous n'êtes pas en mesure de résoudre le problème qui se pose à vous.
- Pour éviter toute secousse électrique et tout risque de court-circuit au cours des opérations de raccordement et d'installation, n'oubliez pas de débrancher le câble relié au pôle négatif de la batterie (-) avant d'effectuer quelque opération que ce soit.
- Avant d'effectuer un perçage requis par l'installation de l'amplificateur, assurez-vous que vous pouvez le faire sans danger pour les câbles, canalisations, flexibles, etc., qui sont placés derrière le panneau que vous devez percer.

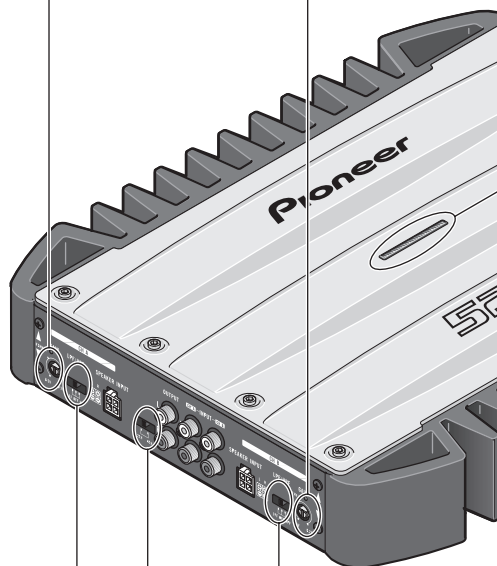
Commande du gain

Le réglage des commandes de gain A et B permet d'adapter la sortie de l'autoradio à l'amplificateur Pioneer. En principe, placez les contrôleurs de gain sur la position "NORMAL". Si le niveau d'écoute est faible même lorsque la commande de l'autoradio est sur la position correspondant au maximum, tournez ces commandes de gain dans le sens des aiguilles d'une montre. Inversement, si vous constatez de la distorsion lorsque vous augmentez le niveau de sortie de l'autoradio, tournez ces commandes dans le sens contraire des aiguilles d'une montre.

- Si vous n'utilisez qu'une seule prise d'entrée, réglez sur la même position, les commandes de gain pour les haut-parleurs A et B.
- Choisissez la position NORMAL si l'autoradio stéréo est équipé de prises Cinch (RCA) (niveau de sortie standard à 500 mV). Si cet appareil est utilisé conjointement avec un autoradio stéréo Pioneer pourvu de prises Cinch (RCA) sur lesquelles peuvent se trouver une tension de sortie de 4 V ou plus, réglez le niveau en fonction du niveau de sortie de l'autoradio.
- Si vous notez que le bruit est trop élevé quand vous utilisez les prises d'entrée pour haut-parleur, tournez la commande de gain dans le sens contraire des aiguilles d'une montre.

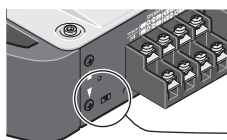
Sélecteur d'entrée

Dans le cas où deux voies sont appliquées sur l'amplificateur, placez ce sélecteur sur la position de gauche; dans le cas de quatre voies, placez ce sélecteur sur la position de droite.



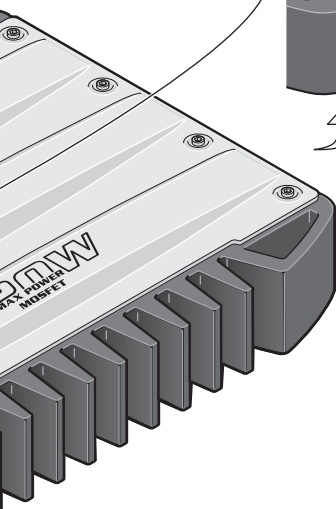
Témoin d'alimentation

Ce témoin s'éclaire lorsque l'amplificateur est sous tension.



Interrupteur BFC (Commande de fréquence de battement)

Si l'on entend un battement pendant que l'on écoute une transmission MW/LW (PO/GO) avec le stéréo de la voiture, changer l'interrupteur BFC en utilisant un petit tournevis standard de pointe.



Sélecteur LPF (Filtre passe-bas)/HPF (Filtre passe-haut)

Positionnez le sélecteur LPF/HPF comme indiqué ci-dessous en tenant compte de l'autoradio et du type du haut-parleur relié au connecteur de sortie.

Sélecteur LPF/HPF	Gamme des fréquences disponibles en sortie	Type de haut-parleur	Remarques
LPF (gauche)	Fréquences très graves	Haut-parleur d'extrêmes graves	Utilisez un haut-parleur d'extrêmes graves.
OFF (centre)	Tout le spectre des fréquences	Haut-parleur pleine gamme	
HPF (droite)	Du registre grave au registre aigu	Haut-parleur pleine gamme	Choisissez cette position si les fréquences très graves sont inutiles compte tenu des haut-parleurs utilisés.

AVERTISSEMENTS

- Pour éviter tout risque de court-circuit ou d'endommager cet appareil, débranchez le câble relié à la borne négative (-) de la batterie, au niveau de cette borne.
- Fixez les câbles au moyen de colliers ou du ruban adhésif. Lorsque l'isolant du câble peut être endommagé par une pièce métallique, assurez sa protection en le gainant de ruban adhésif.
- Faites cheminer les câbles en évitant les zones chaudes telles que les bouches du chauffage. La chaleur peut endommager l'isolant et il peut en résulter un court-circuit si l'âme du câble vient en contact avec la carrosserie.
- Assurez-vous que les câbles ne gênent en rien la manoeuvre des organes mobiles tels que rails de siège mais aussi levier de frein de stationnement, pédale de frein, etc.
- Veillez à ce qu'aucun câble ne soit en court-circuit, faute de quoi le circuit de protection pourrait être dans l'incapacité de remplir son office.
- N'alimentez pas un appareil par un piquage sur le câble qui alimente un autre appareil. Ce câble n'a peut-être pas la section suffisante pour supporter sans danger l'intensité consommée par les deux appareils.

Pour éviter toute anomalie

- Ne reliez pas à la masse le câble (-) d'un haut-parleur; ne reliez pas ensemble plusieurs câbles négatifs de haut-parleurs.
- Cet appareil est conçu pour les véhicules alimentés par une batterie 12 V dont le pôle négatif est à la masse. Avant d'installer cet appareil, contrôlez la tension de la batterie.
- Si vous conservez l'autoradio en fonctionnement alors que le moteur est arrêté ou tourne au ralenti, la batterie peut être déchargée au bout d'un certain temps. Pour éviter cela, mettez l'autoradio hors tension.
- Si le câble de commande à distance de l'amplificateur est relié à la borne d'alimentation par l'intermédiaire du contacteur d'allumage (12 V CC), l'amplificateur sera sous tension dès que vous mettez le contact, et cela quelle que soit la situation de l'autoradio. En conséquence, la batterie peut être rapidement déchargée si le moteur ne tourne pas, ou tourne au ralenti.
- Les haut-parleurs qui sont connectés à l'amplificateur doivent se conformer aux standards suivants. Sinon, ils pourraient prendre feu, fumer ou être endommagés. L'impédance de parleur doit être de 2 à 8 ohms. Mais dans le cas où il deux chaines ou un autre pont de connecteur, son impédance peut être de 4 à 8 ohms.
- Installez le câble de liaison à la batterie, vendu séparément, et faites-le cheminer aussi loin que possible des câbles de liaison aux haut-parleurs. Installez le câble de liaison à la batterie, vendu séparément, le câble de masse, les câbles de liaison aux haut-parleurs et l'amplificateur aussi loin que possible de l'antenne, du câble d'antenne et du syntoniseur.

• Les câbles de cet appareil et ceux d'autres appareils peuvent fort bien ne pas être de la même couleur bien que remplissant la même fonction. Pour relier cet appareil à un autre appareil, utilisez le manuel d'installation de chacun et effectuez les raccordements en ne tenant compte que de la fonction de chaque câble.

GM-X574

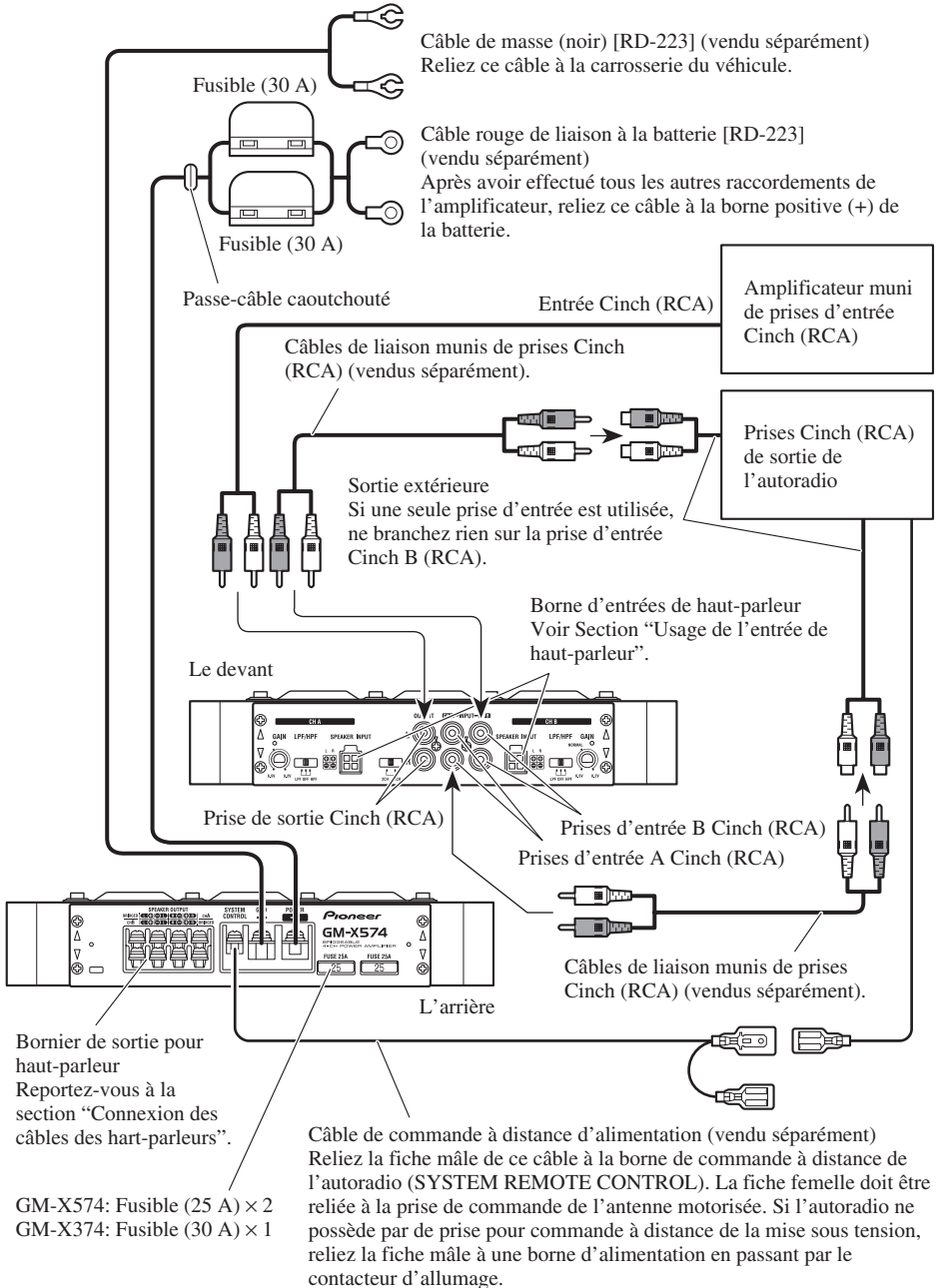
Voie de sortie	Type de haut-parleur	Puissance
Quatre voies	Haut-parleur d'extrêmes graves	P. nominale d'entrée: 55 W minimum
	Autre que haut-parleur d'extrêmes graves	P. maximale d'entrée: 100 W minimum
Deux voies	Haut-parleur d'extrêmes graves	P. nominale d'entrée: 135 W minimum
	Autre que haut-parleur d'extrêmes graves	P. maximale d'entrée: 260 W minimum
Trois voies Sortie haut-parleur A	Haut-parleur d'extrêmes graves	P. nominale d'entrée: 55 W minimum
	Autre que haut-parleur d'extrêmes graves	P. maximale d'entrée: 100 W minimum
Trois voies Sortie haut-parleur B	Haut-parleur d'extrêmes graves	P. nominale d'entrée: 135 W minimum
	Autre que haut-parleur d'extrêmes graves	P. maximale d'entrée: 260 W minimum

GM-X374

Voie de sortie	Type de haut-parleur	Puissance
Quatre voies	Haut-parleur d'extrêmes graves	P. nominale d'entrée: 40 W minimum
	Autre que haut-parleur d'extrêmes graves	P. maximale d'entrée: 70 W minimum
Deux voies	Haut-parleur d'extrêmes graves	P. nominale d'entrée: 100 W minimum
	Autre que haut-parleur d'extrêmes graves	P. maximale d'entrée: 200 W minimum
Trois voies Sortie haut-parleur A	Haut-parleur d'extrêmes graves	P. nominale d'entrée: 40 W minimum
	Autre que haut-parleur d'extrêmes graves	P. maximale d'entrée: 70 W minimum
Trois voies Sortie haut-parleur B	Haut-parleur d'extrêmes graves	P. nominale d'entrée: 100 W minimum
	Autre que haut-parleur d'extrêmes graves	P. maximale d'entrée: 200 W minimum

Raccordement de l'appareil

Schéma de raccordement

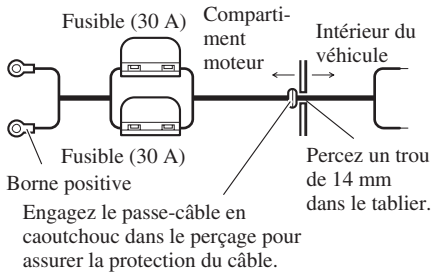


Raccordement de la borne d'alimentation

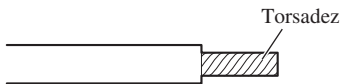
- Utilisez le faisceau de câbles de liaison à la batterie (un câble rouge et un câble de masse) qui est vendu séparément [RD-223]. Reliez le câble rouge à la borne positive (+) de la batterie et le câble de masse à la carrosserie du véhicule.

1. Faites passer le câble de liaison à la batterie du compartiment moteur vers l'intérieur du véhicule.

- Après avoir effectué tous les autres raccordements de l'amplificateur, reliez la borne d'alimentation de l'amplificateur à la borne positive (+) de la batterie.

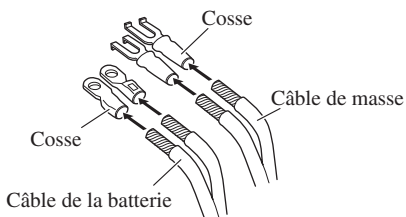


2. Torsadez le câble de la batterie, celui de masse et celui de la commande à distance.



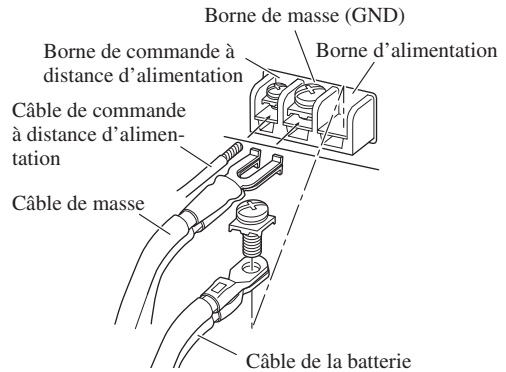
3. Fixez une cosse à l'extrémité de chaque câble. Les cosses ne sont pas fournies.

- Utilisez un outil spécial, etc., pour sertir la cosse sur le câble.



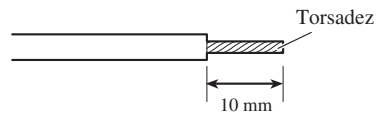
4. Reliez les câbles aux bornes.

- Serrez soigneusement les câbles au moyen des vis.



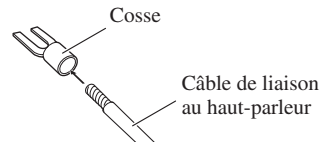
Raccordement des bornes de sortie vers les haut-parleurs

1. Dénudez l'extrémité des câbles de liaison aux haut-parleurs par une pince ou un couteau sur 10 mm environ et torsadez les brins des câbles.



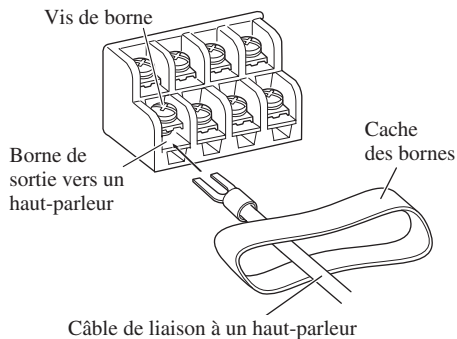
2. Fixez une cosse à l'extrémité de chaque câble de haut-parleur. Les cosses ne sont pas fournies.

- Utilisez un outil spécial, etc., pour sertir la cosse sur le câble.

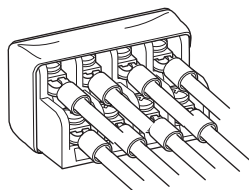


3. Reliez les câbles de liaisons aux haut-parleurs aux bornes de sortie vers les haut-parleurs.

- Branchez les câbles des haut-parleurs après les avoir engagé dans le cache des bornes.
- Serrez soigneusement les cosses au moyen des vis.



4. Appuyez sur le cache des bornes.

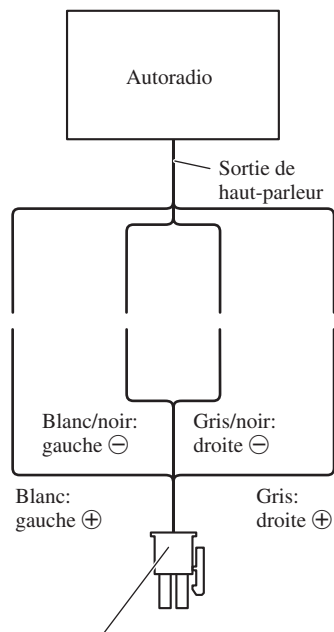


Usage de l'entrée de haut-parleur

Sélection du joint d'entrée du haut-parleur fourni avec la voiture, dont la connection de sortie pour le haut-parleur à stéréo sera liée à l'amplifier.

- Ne connecter pas l'entrée de haut-parleur et l'entrée de RCA en même temps.

■ Connexion lors de l'utilisation de l'entrée du haut-parleur



Connecteur d'entrée de haut-parleur
À la borne d'entrée du haut-parleur de cet appareil.

Connexion des câbles des haut-parleurs

Les haut-parleurs peuvent fonctionner selon trois modes: quatre voies, trois voies (stéréo + mono) ou deux voies (stéréo, mono). Connecter les fils du haut-parleur pour se conformer au mode suivant les figures cidessous.

- Ne connecter pas l'entrée de haut-parleur et l'entrée de RCA en même temps. Parceque quand on connecte l'entrée de RCA ou l'entrée de haut-parleur, l'entrée de RCA devient en fonction.

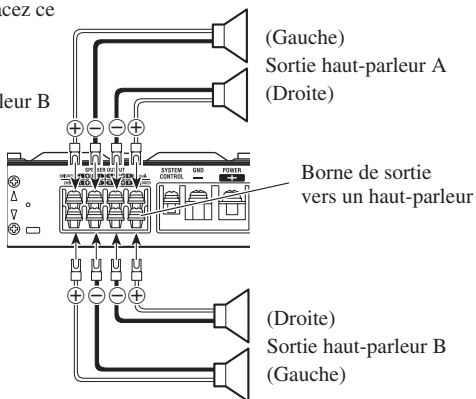
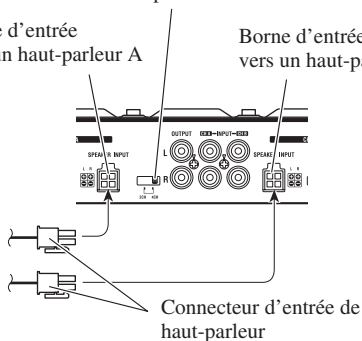
Mode quatre voies

Sélecteur d'entrée

Dans le cas où deux voies sont appliquées sur l'amplificateur, placez ce sélecteur sur la position de gauche; dans le cas de quatre voies, placez ce sélecteur sur la position de droite.

Borne d'entrée vers un haut-parleur A

Borne d'entrée vers un haut-parleur B



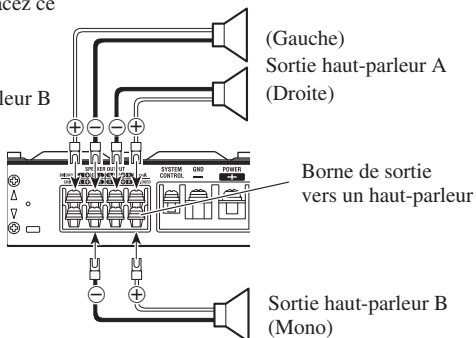
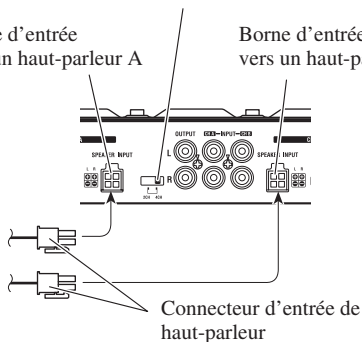
Mode trois voies

Sélecteur d'entrée

Dans le cas où deux voies sont appliquées sur l'amplificateur, placez ce sélecteur sur la position de gauche; dans le cas de quatre voies, placez ce sélecteur sur la position de droite.

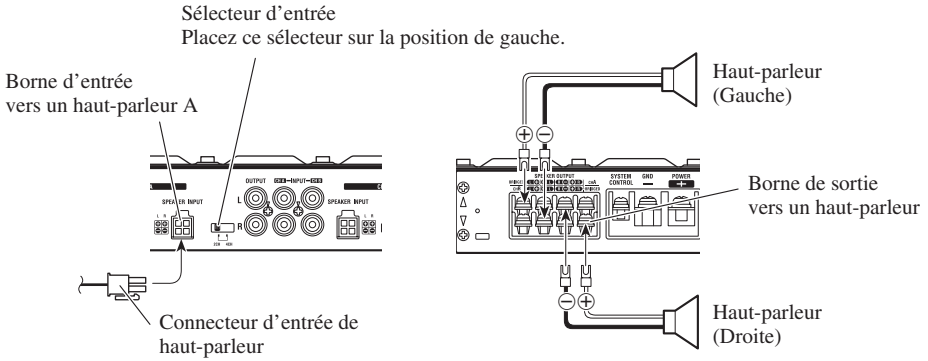
Borne d'entrée vers un haut-parleur A

Borne d'entrée vers un haut-parleur B

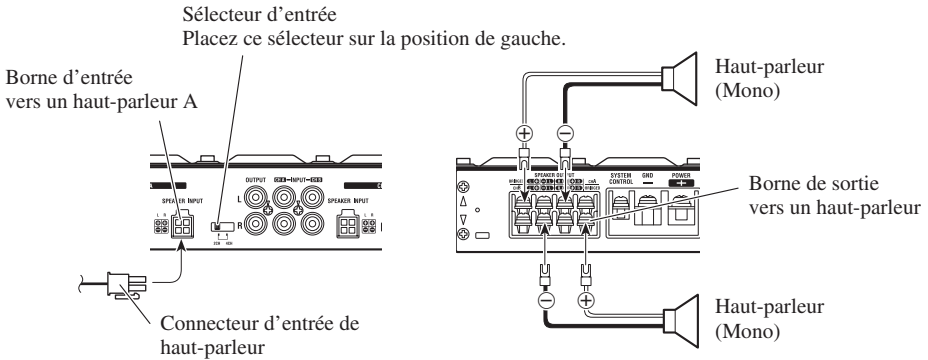


Raccordement de l'appareil

Mode deux voies (stéréo)



Mode deux voies (mono)



AVERTISSEMENTS

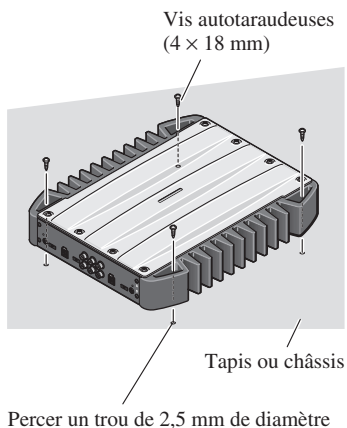
- N'installez pas l'appareil:
 - dans un endroit où il pourrait blesser un occupant du véhicule en cas d'arrêt brusque;
 - dans un endroit où il pourrait gêner le conducteur, par exemple devant son siège.
- Veillez à ce que les câbles ne puissent pas être pincés et endommagés par les sièges, ce qui peut conduire à un court-circuit.
- Avant d'effectuer un perçage requis par l'installation de l'amplificateur, assurez-vous que vous pouvez le faire sans danger pour les câbles, canalisations, flexibles, etc., qui sont placés derrière le panneau que vous devez percer.
- Posez les vis autotaraudeuses de manière que leur extrémité ne puisse pas endommager les câbles. Il est important que l'isolant d'un câble ne soit pas endommagé par le frottement sur une pièce, ce qui pourrait ultérieurement entraîner un court-circuit.
- Pour éviter tout risque de secousse électrique, n'installez pas l'amplificateur dans un endroit où il pourrait être aspergé de liquide.
- Pour effectuer convenablement l'installation, utilisez les pièces fournies et procédez comme il est indiqué. L'utilisation de pièces autres que celles fournies peut endommager l'amplificateur.

Pour éviter toute anomalie de fonctionnement

- Pour que la chaleur puisse se dissiper sans mal, respectez ce qui suit:
 - veillez à ce qu'un espace dégagé existe au-dessus de l'amplificateur;
 - ne recouvrez pas l'amplificateur d'un tapis ou d'une moquette.
- N'installez pas l'amplificateur près d'une portière car il pourrait être mouillé par la pluie lorsque la portière est ouverte.
- N'installez pas l'amplificateur sur une surface instable telle que le tapis amovible cachant la roue de secours.
- Le meilleur emplacement d'installation dépend du véhicule, mais, quoi qu'il en soit, doit être rigide et solide.
- Effectuez tout d'abord des raccordements temporaires pour vous assurer que l'amplificateur et les autres appareils fonctionnent correctement.
- Choisissez un emplacement qui permette le retrait sans peine de la roue de secours, du cric et de la boîte à outils.

Exemple d'installation sur le tapis de sol ou sur le châssis

1. Posez l'amplificateur à l'emplacement choisi. Introduisez les vis autotaraudeuses fournies (4 × 18 mm) dans les perçages. Appuyez fermement sur les vis au moyen d'un tournevis pour marquer les points de perçage.
2. Percer des trous de 2,5 mm de diamètre aux emplacements marqués puis fixez l'amplificateur soit à travers le tapis, soit directement sur le châssis.



GM-X574

Alimentation	14,4 V CC (10,8 — 15,1 V permis)
Mise à la masse	Pôle négatif de la batterie
Consommation de courant	26,5 A (à la puissance continue, 4 Ω)
Consommation moyenne de courant*	9,1 A (4 Ω pour quatre voies) 14,2 A (4 Ω pour deux voies)
Fusible	25 A × 2
Dimensions	269 (L) × 50 (H) × 309 (P) mm
Poids	3,7 kg (sans les câbles)
Puissance maximale de sortie	100 W × 4 / 260 W × 2
Puissance continue de sortie	70 W × 4 / 160 W × 2 (DIN45324, +B=14,4 V)
Impédance de charge	4 Ω (2 — 8 Ω permis) (Montage ponté: 4 — 8 Ω permis)
Réponse en fréquence	10 — 45.000 Hz (+0 dB, -1 dB)
Rapport signal/bruit	97 dB (Réseau IEC-A)
Distorsion	0,008% (10 W, 1 kHz)
Séparation des voies	65 dB (1 kHz)
Filtre passe-bas	Fréquence de coupure: 80 Hz Pente: -12 dB/oct.
Filtre passe-haut	Fréquence de coupure: 80 Hz Pente: -12 dB/oct.
Niveau maximale/impédance d'entrée	RCA: 6,5 V/22 kΩ (0,2 — 6,5 V) Haut-parleur: 26 V/40 kΩ (0,8 — 26 V)

Remarque:

- Les caractéristiques et la présentation peuvent être modifiées sans avis préalable à fin d'amélioration.

* Consommation moyenne de courant

- Le courant moyen est proche du courant maximal lorsqu'un signal audio est appliqué à l'entrée de l'amplificateur. Utilisez cette valeur lorsque vous désirez calculer le courant total consommé par plusieurs amplificateurs de puissance.

GM-X374

Alimentation	14,4 V CC (10,8 — 15,1 V permis)
Mise à la masse	Pôle négatif de la batterie
Consommation de courant	19,2 A (à la puissance continue, 4 Ω)
Consommation moyenne de courant*	6,7 A (4 Ω pour quatre voies) 10,9 A (4 Ω pour deux voies)
Fusible	30 A
Dimensions	265 (L) \times 50 (H) \times 237 (P) mm
Poids	2,8 kg (sans les câbles)
Puissance maximale de sortie	70 W \times 4 / 200 W \times 2
Puissance continue de sortie	45 W \times 4 / 100 W \times 2 (DIN45324, +B=14,4 V)
Impédance de charge	4 Ω (2 — 8 Ω permis) (Montage ponté: 4 — 8 Ω permis)
Réponse en fréquence	10 — 45.000 Hz (+0 dB, -1 dB)
Rapport signal/bruit	100 dB (Réseau IEC-A)
Distorsion	0,008% (10 W, 1 kHz)
Séparation des voies	65 dB (1 kHz)
Filtre passe-bas	Fréquence de coupure: 80 Hz Pente: -12 dB/oct.
Filtre passe-haut	Fréquence de coupure: 80 Hz Pente: -12 dB/oct.
Niveau maximale/impédance d'entrée	RCA: 6,5 V/22 k Ω (0,2 — 6,5 V) Haut-parleur: 26 V/40 k Ω (0,8 — 26 V)

Remarque:

- Les caractéristiques et la présentation peuvent être modifiées sans avis préalable à fin d'amélioration.

* Consommation moyenne de courant

- Le courant moyen est proche du courant maximal lorsqu'un signal audio est appliqué à l'entrée de l'amplificateur. Utilisez cette valeur lorsque vous désirez calculer le courant total consommé par plusieurs amplificateurs de puissance.

Prima di usare questo prodotto	2	Come collegare l'unità	5
Composizione del manuale di istruzioni	2	Schema di collegamento	7
In caso di difficoltà	2	Come collegare il terminale dell'alimentazione	8
ATTENZIONE	2	Come collegare il terminale di uscita degli altoparlanti	8
Regolazione di questa unità	3	L'uso di ingresso dell'altoparlante	9
Comando del guadagno	3	Collegamento dei cavi d'altoparlanti	10
Selettore di ingresso	3	Installazione	12
Indicatore dell'alimentazione	4	Esempio dell'installazione sul pavimento oppure sullo chassis	12
Commutatore BFC (Comando della frequenza di battimento)	4	Caratteristiche	13
Selettore LPF (filtro passa-basso)/HPF (filtro passa-alto)	4		

Questo prodotto è conforme alle direttive EMC (89/336/CEE, 92/31/CEE) e alla direttiva sul marchio CE (93/68/CEE).

Grazie per aver acquistato questo prodotto PIONEER. Leggere attentamente queste istruzioni prima di usare questo apparecchio.

Composizione del manuale di istruzioni

Questo manuale di istruzioni si applica ai modelli GM-X574 e GM-X374.

Comunque, le illustrazioni mostrano il modello GM-X574.

In caso di difficoltà

Se l'apparecchio non funziona correttamente, rivolgersi al rivenditore o ad un Centro Assistenza Autorizzato PIONEER.

ATTENZIONE

- Usare sempre lo speciale cavo rosso per batteria e il cavo di messa a terra [RD-223], venduti a parte. Collegare il cavo per la batteria direttamente al terminale positivo (+) della batteria dell'auto, ed il cavo per la messa a terra al corpo dell'autovettura.
- Non toccare l'amplificatore con le mani bagnate. Toccando l'apparecchio con le mani bagnate si rischia di rimanere folgorati. Ugualmente, non toccare l'amplificatore se risulta umido o bagnato.
- Per una buona sicurezza della guida e per una guida appropriata della vettura, mantenere il volume ad un basso livello di tale modo che si possa sentire ancora il suono normale del traffico.
- Se il fusibile del cavo della batteria (venduto a parte) o il fusibile dell'amplificatore bruciano controllare i collegamenti dell'alimentazione e degli altoparlanti. Individuare la causa e risolvere il problema, e provvedere poi a sostituire il fusibile con un altro delle stesse dimensioni e capacità.
- Per evitare un funzionamento incorretto dell'amplificatore e degli altoparlanti, il circuito di protezione taglia l'alimentazione all'amplificatore (il suono si interrompe in questo caso) quando una condizione anormale si presenta. In tale caso, commutare l'alimentazione del sistema alla posizione "OFF" (arresto) poi verificare il collegamento dell'alimentazione e degli altoparlanti. Cercare la causa del problema ed eliminare il problema.
- Consulare il rivenditore se non si può trovare la causa del problema.
- Per evitare qualsiasi scossa elettrica oppure cortocircuito durante il collegamento e l'installazione, assicurarsi di scollegare in anticipo il polo negativo (-) della batteria.
- Verificare che nessuna parte si trovi dietro il pannello quando un foro viene eseguito per l'installazione dell'amplificatore. Assicurarsi di proteggere tutti i cavi e componenti importanti come linee del carburante, linee del freno e cablaggio elettrico, contro i danni.

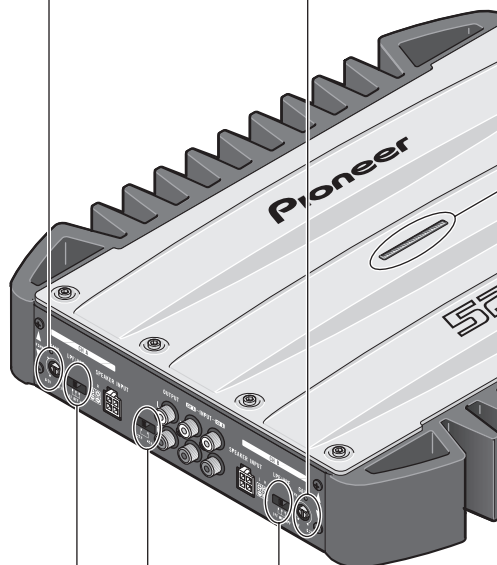
Comando del guadagno

La regolazione dei comandi del guadagno A e B serve ad adeguare l'uscita dello stereo all'amplificatore Pioneer. Normalmente lasciare controllo l'aumento di potenza sulla posizione "NORMAL" ("normale"). Se l'uscita risulta bassa anche alzando il volume dello stereo, ruotare questi comandi in senso orario. Se si notano distorsioni nel suono quando si alza il volume dello stereo, ruotare i comandi in senso antiorario.

- Se si fa uso di una sola spina di ingresso, disporre i comandi del guadagno per le uscite degli altoparlanti A e B sulla stessa posizione.
- In caso di uso in combinazione con un car stereo dotato di presa di tipo RCA (uscita standard di 500 mV) porre questo comando sulla posizione NORMAL. In caso di uso in combinazione con un car stereo dotato di presa di tipo RCA con uscita massima di 4 V, o più, regolare il livello in modo che si adegui al livello di uscita del car stereo.
- In caso di percezione di eccessivo rumore durante l'uso dei terminali di ingresso degli altoparlanti, ruotare il comando del guadagno in senso antiorario.

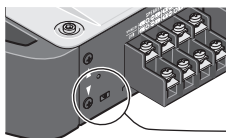
Selettore di ingresso

Per l'ingresso di due canali, far scorrere questo selettore alla sinistra. Per l'ingresso di quattro canali, far scorrere questo selettore alla destra.



Indicatore dell'alimentazione

L'indicatore dell'alimentazione viene illuminato quando si attiva l'alimentazione.



Commutatore BFC (Comando della frequenza di battimento)

Se si sente un battimento mentre si ascolta una trasmissione MW/LW con l'impianto stereo della macchina, cambiare la posizione del commutatore BFC utilizzando un piccolo cacciavite di punto standard.

Selettore LPF (filtro passa-basso)/HPF (filtro passa-alto)

Regolare il selettore LPF/HPF come segue a secondo del tipo di altoparlante collegato al connettore di uscita dell'altoparlante ed il sistema d'impianto stereo per macchina:

Selettore LPF/HPF	Gamma della frequenza audio che viene emessa	Tipo di altoparlante	Note
LPF (sinistra)	Gamma delle basse frequenze	Subwoofer	Collegare un subwoofer.
OFF (centro)	Intera gamma	Intera gamma	
HPF (destra)	Gamma delle frequenze basse alla gamma delle frequenze alte	Intera gamma	Da usare se si desidera annullare la gamma di frequenze molto basse poiché non è necessaria per l'altoparlante in uso.

PRECAUZIONE

- Togliere il contatto negativo (-) dalla batteria per evitare ogni rischio di cortocircuito e danni all'unità.
- Fissare il cablaggio con dei fermi per cavi oppure nastro adesivo. Per proteggere il cablaggio, avvolgere il nastro adesivo intorno al cablaggio dove esso si trova in contatto con parti di metallo.
- Non posare i cavi dove possono riscaldarsi, per esempio dove il dispositivo di riscaldamento rischia di riscaldarli. Se l'isolamento si riscalda, potrebbe danneggiarsi, e risultare in un cortocircuito attraverso la carrozzeria del veicolo.
- Assicurarsi che i cavi non siano in contatto con delle parti mobili del veicolo, come leva del cambio, freno a mano oppure meccanismo a scorrimento del sedile.
- Non cortocircuitare i cavi. In caso contrario, il circuito di protezione non funzionerà quando sarà necessario.
- Evitare di collegare altri apparecchi tramite rimozione copertura cavo di alimentazione per accedere all'alimentazione. Questo risulterà in sovraccarico ed eccessivo riscaldamento.

Per evitare danni

- Non mettere direttamente alla massa il cavo dell'altoparlante oppure collegare un cavo negativo (-) a diversi altoparlanti.
- Questa unità è fornita per veicoli con una batteria da 12 volt ed una messa alla massa negativa. Prima di installarla in un veicolo, autocarro oppure un autobus, controllare la tensione della batteria.
- Se l'impianto stereofonico della vettura viene lasciato in funzionamento per un lungo periodo di tempo a motore spento o al minimo, la batteria può esaurirsi. Disattivare l'impianto stereo della macchina quando il motore è fermo o al minimo.
- Se il cavo di telecomando del sistema dell'amplificatore viene collegato al terminale dell'alimentazione attraverso l'interruttore di accensione (12 V, CC), l'amplificatore sarà sempre attivato quando l'accensione è attivata, indipendentemente dal fatto che l'impianto stereo della macchina sia attivato oppure no. Dovuto a questa condizione, la batteria potrà esaurirsi se si lascia il motore fermo o al minimo.
- Gli altoparlanti collegati all'amplificante deve conformarsi alle sequente standard, altrimenti prendono fuoco, emettono fumo oppure diventa danneggiati. L'impedenza dell'audio deve essere da 2 a 8 ohms. Nel caso della connessione di due canali con altri canali, l'impedenza dell'audio deve essere da 4 a 8 ohms.
- Installare ed istradare il cavo per la batteria (venduto separatamente) quanto più possibile lontano dai cavi degli altoparlanti. Installare ed istradare i cavi della batteria e della messa a terra (venduti separatamente), degli altoparlanti e dell'amplificatore quanto più lontani possibile dall'antenna, dal cavo dell'antenna e dal sintonizzatore.

• I cavi per questo apparecchio e quelli per altri apparecchi possono avere colori diversi, pur svolgendo la stessa funzione. Per il collegamento di questo apparecchio ad un'altro, vedere i manuali di installazione di entrambi gli apparecchi, e provvedere al collegamento dei cavi aventi la stessa funzione.

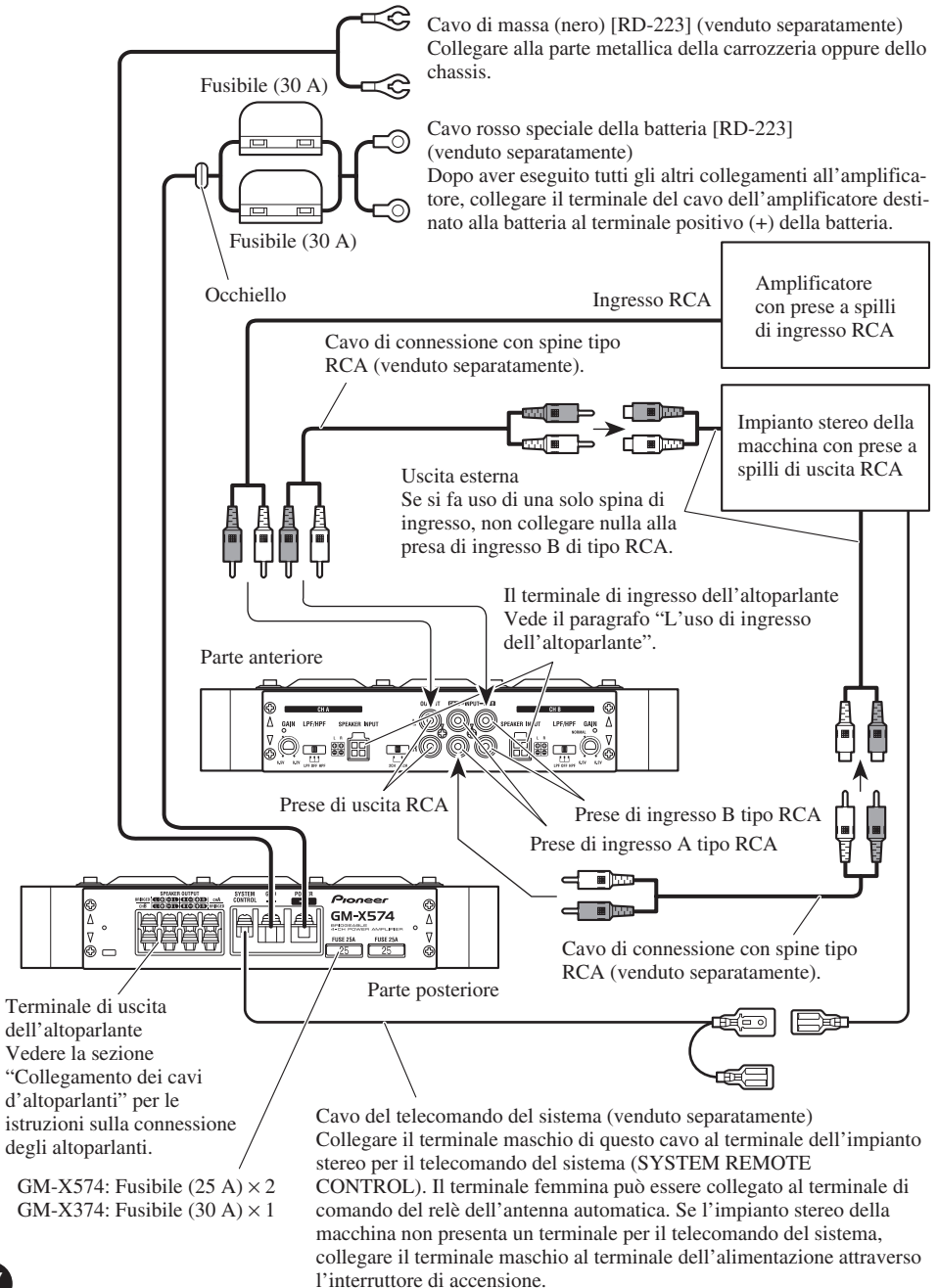
GM-X574

Canale degli altoparlanti	Tipo di altoparlanti	Alimentazione
Quattro canali	Subwoofer	Ingresso nominale: Minimo 55 W
	Altro che il subwoofer	Ingresso massimo: Minimo 100 W
Due canali	Subwoofer	Ingresso nominale: Minimo 135 W
	Altro che il subwoofer	Ingresso massimo: Minimo 260 W
Uscita dell'altoparlante a tre canali A	Subwoofer	Ingresso nominale: Minimo 55 W
	Altro che il subwoofer	Ingresso massimo: Minimo 100 W
Uscita dell'altoparlante a tre canali B	Subwoofer	Ingresso nominale: Minimo 135 W
	Altro che il subwoofer	Ingresso massimo: Minimo 260 W

GM-X374

Canale degli altoparlanti	Tipo di altoparlanti	Alimentazione
Quattro canali	Subwoofer	Ingresso nominale: Minimo 40 W
	Altro che il subwoofer	Ingresso massimo: Minimo 70 W
Due canali	Subwoofer	Ingresso nominale: Minimo 100 W
	Altro che il subwoofer	Ingresso massimo: Minimo 200 W
Uscita dell'altoparlante a tre canali A	Subwoofer	Ingresso nominale: Minimo 40 W
	Altro che il subwoofer	Ingresso massimo: Minimo 70 W
Uscita dell'altoparlante a tre canali B	Subwoofer	Ingresso nominale: Minimo 100 W
	Altro che il subwoofer	Ingresso massimo: Minimo 200 W

Schema di collegamento

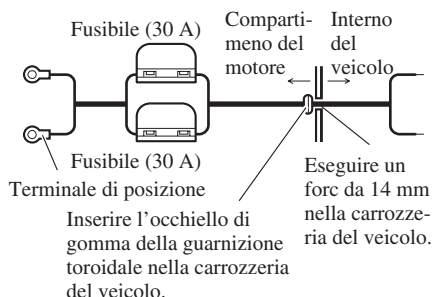


Come collegare il terminale dell'alimentazione

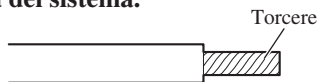
- Usare sempre lo speciale cavo rosso per batteria e il cavo di messa a terra [RD-223], venduti a parte. Collegare il cavo per la batteria direttamente al terminale positivo (+) della batteria dell'auto, ed il cavo per la messa a terra al corpo dell'autovettura.

1. Far passare il cavo della batteria dal vano motore all'interno dell'abitacolo.

- Dopo aver eseguito tutti gli altri collegamenti all'amplificatore, collegare il terminale del cavo dell'amplificatore destinato alla batteria al terminale positivo (+) della batteria.

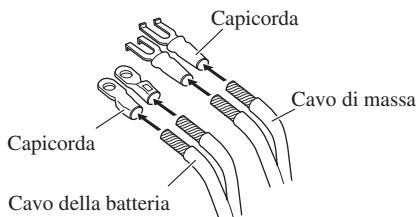


2. Attorcigliare l'estremità del cavo della batteria, del cavo di messa a terra, e del cavo di comando a distanza del sistema.



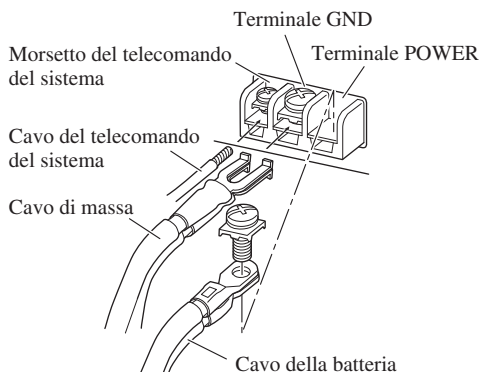
3. Applicare degli spinotti alle estremità dei cavi. I capicorda non sono forniti.

- Usare le pinze, ecc., per raggrinzire i capicorda stringendoli ai cavi.



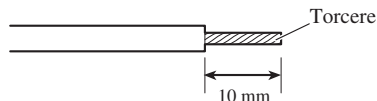
4. Collegare i cavi al morsetto.

- Fissare saldamente i cavi con le viti per morsetti.



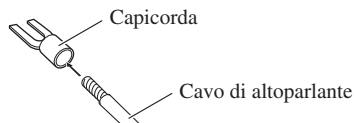
Come collegare il terminale di uscita degli altoparlanti

1. Utilizzando delle pinze oppure una tagliatrice esporre l'estremità dei cavi di altoparlanti per circa 10 mm e torcerla.



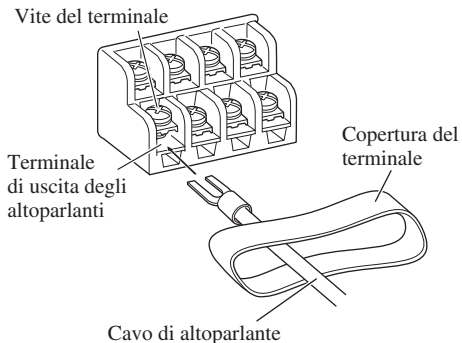
2. Applicare degli spinotti alle estremità del cavo degli altoparlanti. I capicorda non sono forniti.

- Usare le pinze, ecc., per raggrinzire i capicorda stringendoli ai cavi.

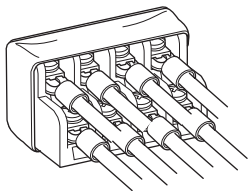


3. Collegare i cavi degli altoparlanti al terminale di uscita degli altoparlanti.

- Collegare i cavi degli altoparlanti, facendoli passare attraverso la copertura del terminale.
- Fissare saldamente i cavi con le viti per morsetti.



4. Rimettere la copertura del terminale.

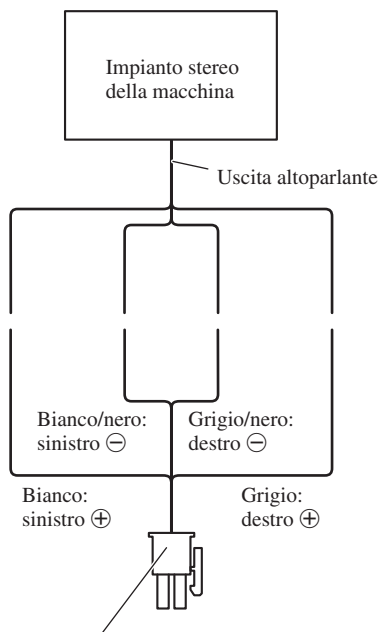


L'uso di ingresso dell'altoparlante

Usare il connettore per ingresso altoparlante fornito insieme con la macchina, collegare i fili per ingresso stereo altoparlante all'amplificatore.

- Non connettere insieme l'ingresso RCA e l'ingresso altoparlante nello stesso istante.

■ Collegamento quando serve ingresso altoparlante



Connettore di ingresso dell'altoparlante
Al terminale di ingresso dell'altoparlante di questo apparecchio.

Collegamento dei cavi d'altoparlanti

Il modo di uscita dell'altoparlante può essere a quattro canali, a tre canali (stereo + mono) e a due canali (stereo, mono). Colleja i fili dell'altoparlante in giuspo modo secondo le norme di sicurezza sotto le riportate.

- L'uscita del RCA e' in funzione quando l'ingresso di RCA o l'ingresso dell'altoparlante connettono. Non connettere insieme l'ingresso RCA e l'ingresso altoparlante nello stesso istante.

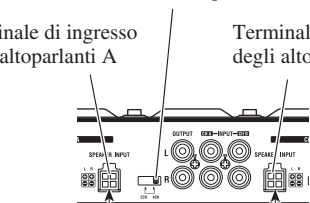
Modo a quattro canali

Selettore di ingresso

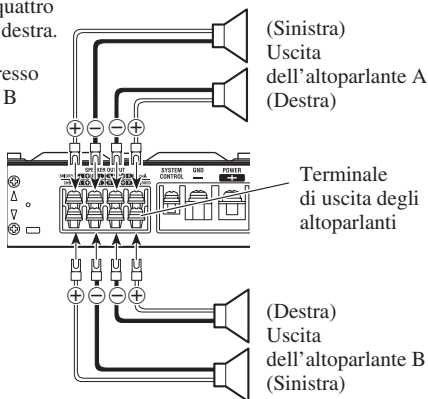
Per l'ingresso di due canali, far scorrere questo selettore alla sinistra. Per l'ingresso di quattro canali, far scorrere questo selettore alla destra.

Terminale di ingresso degli altoparlanti A

Terminale di ingresso degli altoparlanti B



Connettore di ingresso dell'altoparlante



Terminale di uscita degli altoparlanti

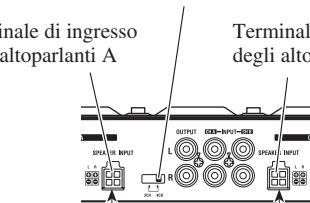
Modo a tre canali

Selettore di ingresso

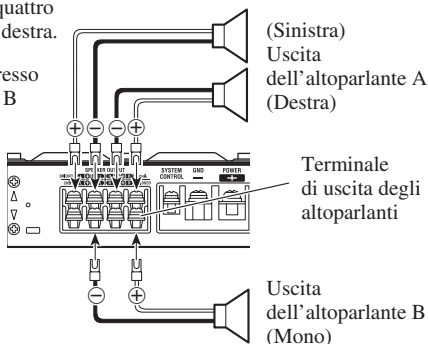
Per l'ingresso di due canali, far scorrere questo selettore alla sinistra. Per l'ingresso di quattro canali, far scorrere questo selettore alla destra.

Terminale di ingresso degli altoparlanti A

Terminale di ingresso degli altoparlanti B



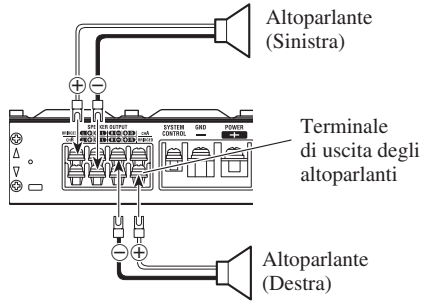
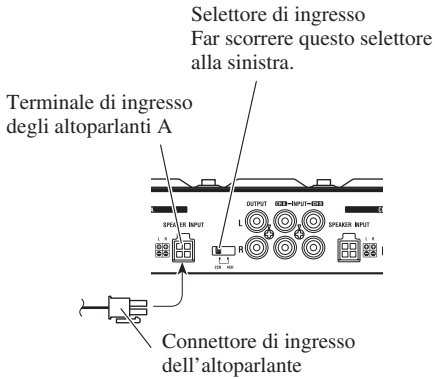
Connettore di ingresso dell'altoparlante



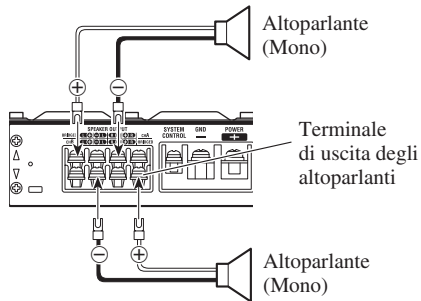
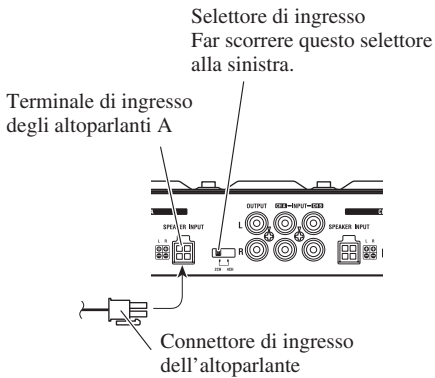
Terminale di uscita degli altoparlanti

Come collegare l'unità

Modo a due canali (stereo)



Modo a due canali (mono)



PRECAUZIONE

- Non installare l'unità sulle posizioni seguenti:
 - Posti dove potrebbe ferire il conducente o i passeggeri se il veicolo si arresta bruscamente.
 - Posti dove potrebbe disturbare il conducente, come pavimento verso la parte anteriore del sedile del conducente.
- Assicurarsi che i cavi non vengano presi nel meccanismo a scorrimento del sedile, provocando così un cortocircuito.
- Verificare che nulla si trovi dietro il pannello quando si esegue un foro per l'installazione dell'amplificatore. Assicurarsi di proteggere tutti i cavi e componenti importanti come linee del carburante, linee del freno e cablaggio elettrico, contro i danni.
- Installare le viti autofilettanti in tale modo che le punte delle viti non siano in contatto con i cavi. Questa precauzione è importante per evitare che i cavi vengano tagliati dalle vibrazioni della vettura, poiché ciò può risultare in un incendio.
- Per prevenire possibili folgorazioni, non installare l'amplificatore in luoghi dove possa venire a contatto con liquidi.
- Per ottenere una installazione appropriata, utilizzare le parti fornite nel modo specificato. Se qualunque parte diversa da quelle fornite viene utilizzata, potrà danneggiare le parti interne dell'amplificatore, oppure potrà allentarsi e l'amplificatore rischia di danneggiarsi.

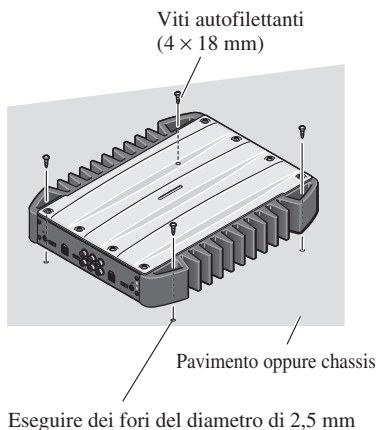
Per evitare disfunzioni

- Per assicurare una dissipazione appropriata di calore dall'amplificatore, fare attenzione ai seguenti punti per l'installazione.
 - Lasciare uno spazio adeguato sopra l'amplificatore per ottenere una ventilazione appropriata.
 - Non ricoprire l'amplificatore con tappeti o moquette.
- Non installare l'amplificatore vicino ad una porta dove può entrare l'umidità con la pioggia.
- Non installare l'amplificatore in luoghi instabili come il pannello della ruota di scorta.
- Verificare che nulla si trovi dietro il pannello quando si esegue un foro per l'installazione dell'amplificatore. Assicurarsi di proteggere tutti i cavi e componenti importanti come linee del carburante, linee del freno e cablaggio elettrico, contro i danni.
- Eseguire prima i collegamenti provvisori, poi verificare se l'amplificatore ed il sistema funzionano in modo adeguato.

- Per ottenere una installazione appropriata, utilizzare le parti fornite nel modo specificato. Se qualunque parte diversa da quelle fornite viene utilizzata, potrà danneggiare le parti interne dell'amplificatore, oppure potrà allentarsi e l'amplificatore rischia di danneggiarsi.

Esempio dell'installazione sul pavimento oppure sullo chassis

1. Posizionare l'amplificatore dove deve essere installato. Inserire le viti autofilettanti fornite (4×18 mm) nei fori delle viti. Spingere le viti con un cacciavite per fare dei segni dove i fori dell'installazione devono essere fatti.
2. Eseguire dei fori del diametro di 2,5 mm al punto marcato ed installare l'amplificatore, sia su tappeto, sia direttamente sullo chassis.



GM-X574

Alimentazione	14,4 V C.C. (10,8 — 15,1 V permissibile)
Collegamento a terra	Tipo negativo
Consumo	26,5 A (ad alimentazione continua, 4 Ω)
Corrente media consumata*	9,1 A (4 Ω per quattro canali) 14,2 A (4 Ω per due canali)
Fusibile	25 A \times 2
Dimensioni	269 (L) \times 50 (A) \times 309 (P) mm
Peso	3,7 kg (Cavi per il cablaggio non compresi)
Uscita massima di potenza	100 W \times 4 / 260 W \times 2
Uscita di potenza continua	70 W \times 4 / 160 W \times 2 (DIN45324, +B = 14,4 V)
Impedenza di carico	4 Ω (2 — 8 Ω permissibile) (Collegamento a ponte: 4 — 8 Ω permissibile)
Risposta in frequenza	10 — 45.000 Hz (+0 dB, -1 dB)
Rapporto segnale/rumore	97 dB (IEC-A rete)
Distorsione	0,008% (10 W, 1 kHz)
Separazione	65 dB (1 kHz)
Filtro passa-basso	Frequenza di taglio: 80 Hz Pendenza di taglio: -12 dB per ottava
Filtro passa-alto	Frequenza di taglio: 80 Hz Pendenza di taglio: -12 dB per ottava
Livello di ingresso massimo/impedenza	RCA: 6,5 V/22 k Ω (0,2 — 6,5 V) Altoparlante: 26 V/40 k Ω (0,8 — 26 V)

Nota:

- Caratteristiche tecniche e design soggetti a modifiche senza preavviso a causa di migliorie.

*Corrente media consumata

- La corrente media consumata è circa uguale alla corrente massima consumata da questa unità quando un segnale audio viene immesso. Tenere presente questo valore per il calcolo della corrente totale consumata dai vari amplificatori utilizzati.

GM-X374

Alimentazione	14,4 V C.C. (10,8 — 15,1 V permissibile)
Collegamento a terra	Tipo negativo
Consumo	19,2 A (ad alimentazione continua, 4 Ω)
Corrente media consumata*	6,7A (4 Ω per quattro canali) 10,9 A (4 Ω per due canali)
Fusibile	30 A
Dimensioni	265 (L) \times 50 (A) \times 237 (P) mm
Peso	2,8 kg (Cavi per il cablaggio non compresi)
Uscita massima di potenza	70 W \times 4 / 200 W \times 2
Uscita di potenza continua	45 W \times 4 / 100 W \times 2 (DIN45324, +B = 14,4 V)
Impedenza di carico	4 Ω (2 — 8 Ω permissibile) (Collegamento a ponte: 4 — 8 Ω permissibile)
Risposta in frequenza	10 — 45.000 Hz (+0 dB, -1 dB)
Rapporto segnale/rumore	100 dB (IEC-A rete)
Distorsione	0,008% (10 W, 1 kHz)
Separazione	65 dB (1 kHz)
Filtro passa-basso	Frequenza di taglio: 80 Hz Pendenza di taglio: -12 dB per ottava
Filtro passa-alto	Frequenza di taglio: 80 Hz Pendenza di taglio: -12 dB per ottava
Livello di ingresso massimo/impedenza	RCA: 6,5 V/22 k Ω (0,2 — 6,5 V) Altoparlante: 26 V/40 k Ω (0,8 — 26 V)

Nota:

- Caratteristiche tecniche e design soggetti a modifiche senza preavviso a causa di migliorie.

*Corrente media consumata

- La corrente media consumata è circa uguale alla corrente massima consumata da questa unità quando un segnale audio viene immesso. Tenere presente questo valore per il calcolo della corrente totale consumata dai vari amplificatori utilizzati.

Alvorens gebruik	2	Aansluiten van het toestel	5
Samenstelling van de handleiding	2	Aansluitschema	7
Bij problemen	2	Aansluiten van het spanningsaansluitpunt	8
WAARSCHUWING	2	Verbinden van de luidspreker- uitgangsaansluitingen	8
Instellen van dit toestel	3	Het gebruik van luidsprekeringang	9
Versterkingsregelaar	3	Aansluiten van de luidsprekerdraden	10
Ingangskeuzeschakelaar	3	Installatie	12
Spanningsindicator	4	Voorbeeld van installatie op de vloermat of op het chassis	12
Schakelaar voor de regeling van de slagfrequentie (BFC)	4	Technische gegevens	13
LPF (lage-doorlaatfilter)/HPF (hoge- doorlaatfilter)-keuzeschakelaar	4		

Dit product voldoet aan de eisen m.b.t. elektromagnetisme (89/336/EEC, 92/31/EEC) en CE markering richtlijnen (93/68/EEC).

Dank U zeer voor de aanschaf van dit PIONEER-product. Lees deze gebruiksaanwijzing goed door, voordat het toestel in gebruik genomen wordt.

Samenstelling van de handleiding

Deze handleiding heeft betrekking op de GM-X574 en GM-X374. Op de afbeeldingen wordt evenwel de GM-X574 getoond.

Bij problemen

Neem contact op met uw dealer of het dichtstbijzijnde PIONEER service-centrum, wanneer de eenheid niet juist functioneert.

WAARSCHUWING

- Gebruik altijd het los verkrijgbare, speciale rode accu- en aarddraad [RD-223]. Verbind het accudraad direct met de positieve pool (+) van de autoaccu en het aarddraad met het chassis van de auto.
- Raak de versterker niet met natte handen aan. U zou anders een elektrische schok kunnen krijgen. Raak de versterker tevens niet aan wanneer deze nat is.
- Voor de verkeersveiligheid dient u het volume zodanig in te stellen dat u verkeerssignalen en ander verkeer nog goed kunt horen.
- Controleer de verbindingen van de spanningstoevoer en luidsprekers inden de zekering van het los verkrijgbare accudraad of de zekering van de versterker regelmatig doorbrandt. Zoek de oorzaak en los het probleem op. Plaats vervolgens een nieuwe zekering van hetzelfde formaat en ampère.
- Om een onjuiste werking van de versterker en luidsprekers te voorkomen, schakelt het beschermingscircuit van de versterker de spanning naar de versterker uit indien de omstandigheden niet normaal zijn. Schakel in dit geval de spanning van het systeem uit (OFF), controleer de verbinding met de spanningsbron en luidsprekers. Zoek de oorzaak en los het probleem op.
- Raadpleeg de plaats van aankoop indien u de oorzaak niet kunt vinden.
- Om een elektrische schok of kortsluiting te voorkomen tijdens het aansluiten en installeren, moet de negatieve (-) pool van de accu worden ontkoppeld voordat u de eenheid aansluit.
- Controleer of er zich geen onderdelen achter het paneel bevinden wanneer u een gat boort voor de installatie van de versterker. Zorg ervoor dat alle kabels en belangrijke onderdelen zoals brandstofleidingen, remleidingen en de elektrische bedrading beveiligd zijn en niet kunnen worden beschadigd.

Versterkingsregelaar

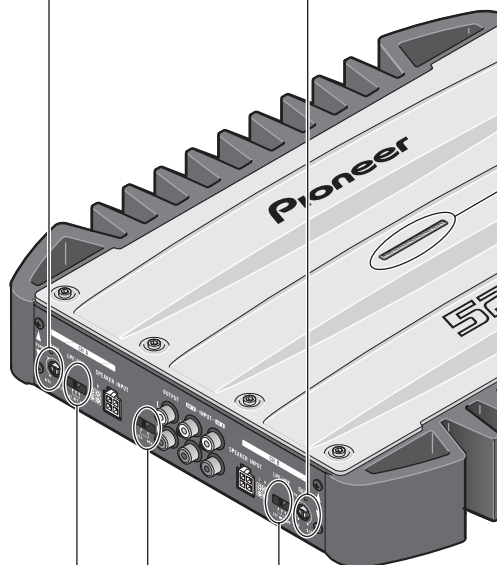
U kunt de versterkingsregelaars A en B instellen in overeenstemming met de uitgangssignalen van de auto-stereo naar de Pioneer versterker. Zet de schakelaar normaliter in de "NORMAL" stand.

Indien de weergave te zacht klinkt, zelfs met het volume van de auto-stereo verhoogd, moet u deze regelaars naar rechts draaien. Draai deze regelaars naar links indien het geluid vervormt wanneer het volume van de auto-stereo wordt verhoogd.

- Wanneer u slechts één ingang verbindt, moet u de versterkingsregelaars voor luidsprekeruitgangen A en B in dezelfde stand draaien.
- Wanneer u een auto-stereo gebruikt met RCA (standaard uitgangsspanning 500 mV), dient u de NORMAL stand in te stellen. Wanneer u een Pioneer auto-stereo met RCA gebruikt, met een maximale uitgangsspanning van 4 V of meer, dient u het niveau aan te passen aan het uitgangsniveau van de auto-stereo.
- Wanneer u te veel ruis hoort bij het gebruik van de luidsprekeringsaansluitingen, moet u de versterkingsregelaar naar links draaien.

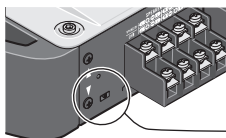
Ingangskeuzeschakelaar

Schuif deze schakelaar naar links voor invoer vanuit twee kanalen. Schuif deze schakelaar naar rechts voor invoer vanuit vier kanalen.



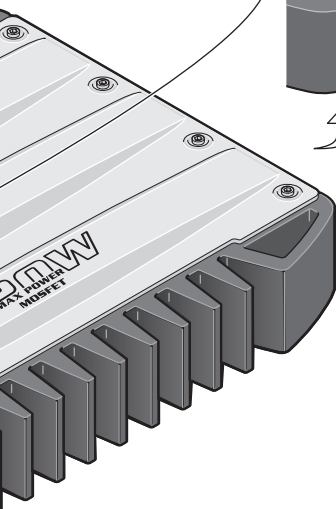
Spanningsindicator

De spanningsindicator licht op wanneer de spanning wordt ingeschakeld.



Schakelaar voor de regeling van de slagfrequentie (BFC)

Als u een slag of dreun hoort bij het luisteren naar een MW/LW (MG/LG)-uitzending op uw autostereo, kunt u de stand van de BFC-schakelaar wijzigen met een kleine schroevendraaier met platte kop.



LPF (lage-doorlaatfilter)/HPF (hoge-doorlaatfilter)-keuzeschakelaar

Stel de LPF/HPF-keuzeschakelaar als volgt in, naargelang het type luidspreker dat is aangesloten op de luidsprekeruitgangsaansluiting en het autostereosysteem:

LPF/HPF-keuzeschakelaar	Uit te voeren audio frequentiebereik	Type luidspreker	Opmerkingen
LPF (links)	Zeer laag frequentiebereik	Subwoofer	Sluit een subwoofer aan.
Uitgeschakeld (OFF) (midden)	Full range	Full range	
HPF (rechts)	Laag frequentiebereik tot hoog frequentiebereik	Full range	Als u het zeer lage frequentiebereik wil afsnijden, omdat het niet nodig is voor de luidspreker die u gebruikt.

WAARSCHUWING

- Voorkom kortsluiting en beschadiging van de eenheid en ontkoppel de negatieve (-) accupool van het voertuig.
- Zet de bedrading met kabelklemmen of isoleer- of plakband vast. Bescherm de bedrading door de gedeelten in de buurt van metalen delen met isoleerband af te dekken.
- Leid de draden niet langs plaatsen die heet worden, bijvoorbeeld in de buurt van de verwarmingselementen. Indien de isolatie van draden heet wordt, zullen de draden worden beschadigd met kortsluiting tot gevolg.
- Zorg dat de bedrading de werking van bewegende of verplaatsbare onderdelen, bijvoorbeeld de versnelling, handrem of stoelverstelmechanismen van het de auto niet hindert.
- Sluit draden niet kort. Het beschermingscircuit werkt anders namelijk niet wanneer het voor de veiligheid zou moeten functioneren.
- Tap het spanningsdraad van dit toestel niet af voor gebruik van andere apparaten. Het vermogen van het draad zou dan namelijk worden overschreden, met oververhitting tot gevolg.

Om beschadiging te voorkomen

- Aard het luidsprekersnoer niet rechtstreeks en sluit evenmin een negatief snoer (-) aan voor verschillende luidsprekers.
- Dit toestel is ontworpen voor auto's met een accu van 12 V en negatieve aarding. Kijk bijgevolg eerst de accuspanning na voor u het toestel installeert in een recreatief voertuig, vrachtwagen of bus.
- De accu raakt mogelijk uitgeput indien de auto-stereo langdurig is ingeschakeld maar de motor stationair draait of is uitgeschakeld. Zet de auto-stereo uit wanneer de motor stationair draait of is uitgeschakeld.
- Als het systeem-afstandbedieningssnoer van de versterker is aangesloten op de spanningsaansluiting via de contactschakelaar (12 V gelijkstroom), is de versterker altijd ingeschakeld wanneer het contact aanstaat, ongeacht of de auto-stereo wel of niet door u is aangezet. Hierdoor raakt de accu mogelijk uitgeput wanneer de motor stationair draait of is uitgeschakeld.
- Luidsprekers die op de versterker worden aangesloten moeten overeenstemmen met de hieronder vermelde normen. Indien dat niet het geval is, kan dit leiden tot brand of beschadiging van de luidspreker. Gebruik luidsprekers met een impedantie van 2 t/m 8 ohm. In geval van twee-kanaals en andere brugverbindingen moet de luidsprekerimpedantie 4 t/m 8 ohm zijn.
- Plaats en leid het los verkrijgbare accudraad zo ver als mogelijk uit de buurt van de luidsprekerdraden. Plaats en leid het los verkrijgbare accudraad en aardedraad, luidsprekerdraden en de versterker zo ver als mogelijk uit de buurt van de antenne, antennekabel en tuner.

- Snoeren voor dit toestel en overeenkomende snoeren voor andere toestellen hebben mogelijk verschillende kleuren ookal is de functie van de snoeren hetzelfde. Zie voor het verbinden van dit toestel met een ander toestel daarom de installatiehandleiding van beide toestellen en verbind de snoeren met dezelfde functie met elkaar.

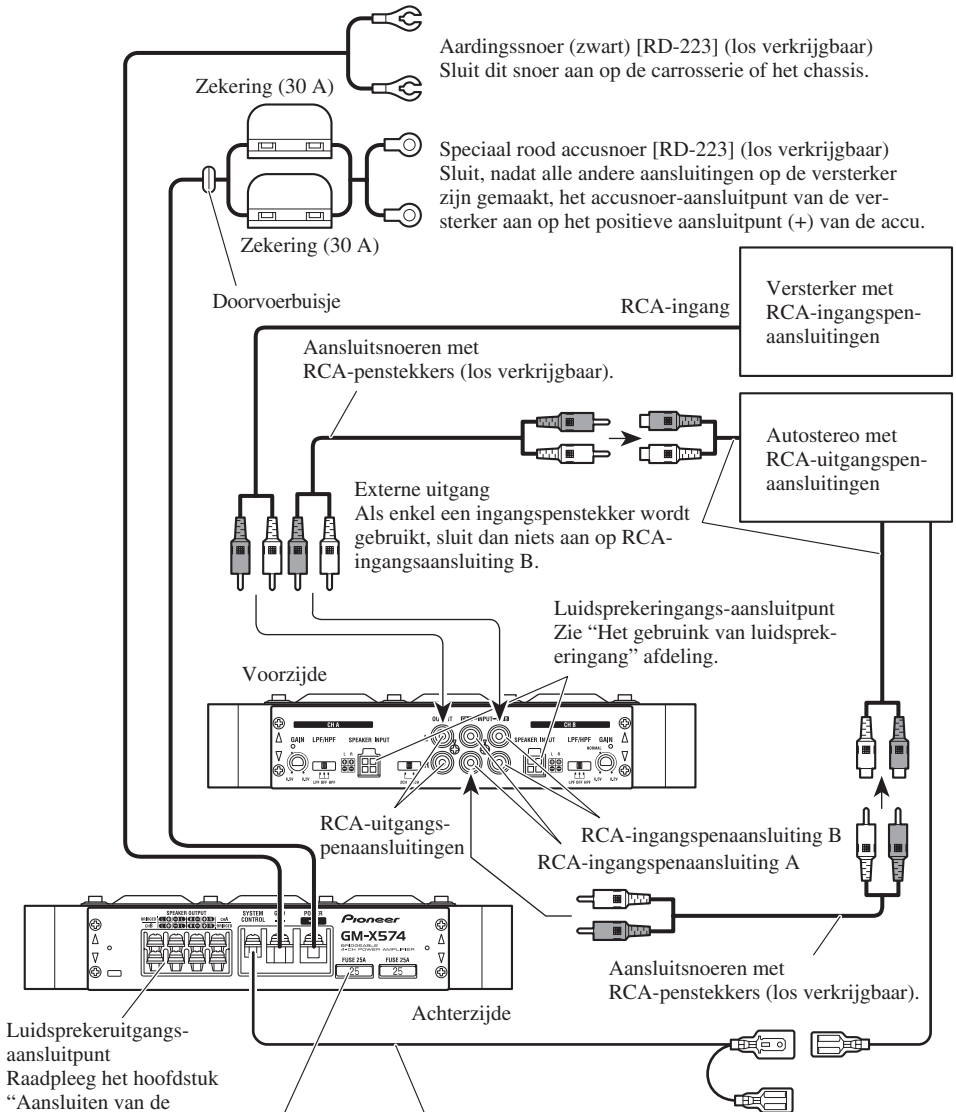
GM-X574

Luidsprekerkanaal	Luidsprekertype	Vermogen
Vier kanalen	Subwoofer	Nominale ingang: min. 55 W
	Andere dan subwoofer	Maximale ingang: min. 100 W
Twee kanalen	Subwoofer	Nominale ingang: min. 135 W
	Andere dan subwoofer	Maximale ingang: min. 260 W
Drie kanalen	Subwoofer	Nominale ingang: min. 55 W
Luidsprekeruitgang A	Andere dan subwoofer	Maximale ingang: min. 100 W
Drie kanalen	Subwoofer	Nominale ingang: min. 135 W
Luidsprekeruitgang B	Andere dan subwoofer	Maximale ingang: min. 260 W

GM-X374

Luidsprekerkanaal	Luidsprekertype	Vermogen
Vier kanalen	Subwoofer	Nominale ingang: min. 40 W
	Andere dan subwoofer	Maximale ingang: min. 70 W
Twee kanalen	Subwoofer	Nominale ingang: min. 100 W
	Andere dan subwoofer	Maximale ingang: min. 200 W
Drie kanalen	Subwoofer	Nominale ingang: min. 40 W
Luidsprekeruitgang A	Andere dan subwoofer	Maximale ingang: min. 70 W
Drie kanalen	Subwoofer	Nominale ingang: min. 100 W
Luidsprekeruitgang B	Andere dan subwoofer	Maximale ingang: min. 200 W

Aansluitschema



GM-X574: Zekering (25 A) × 2
GM-X374: Zekering (30 A) × 1

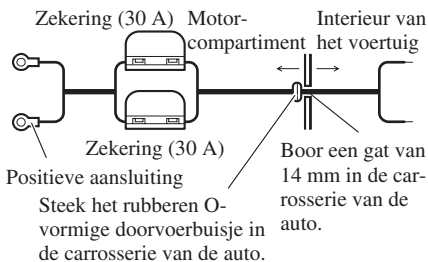
Draad voor systeemafstandsbediening (los verkrijgbaar)
Verbind de mannelijke aansluiting van dit draad met de aansluiting voor de systeemafstandsbediening van de autostereo (SYSTEM REMOTE CONTROL). Het vrouwelijke aansluitpunt kan worden aangesloten op het relais-besturingsaansluitpunt van de automatische antenne. Als de autostereo niet beschikt over een systeemafstandsbedieningsaansluitpunt, sluit dan het mannelijke aansluitpunt aan op het spanningsaansluitpunt via de contactschakelaar.

Aansluiten van het spanningsaansluitpunt

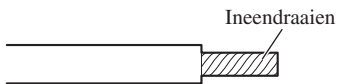
- Gebruik altijd het los verkrijgbare, speciale rode accu- en aardedraad [RD-223]. Verbind het accudraad direct met de positieve pool (+) van de autoaccu en het aardedraad met het chassis van de auto.

1. Trek het accudraad van het motorgedeelte naar de cabine van de auto.

- Sluit, nadat alle andere aansluitingen op de versterker zijn gemaakt, het accusnoer-aansluitpunt van de versterker aan op het positieve aansluitpunt (+) van de accu.

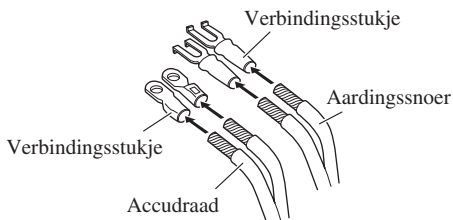


2. Draai het accudraad, aardedraad en systeemafstandsbedieningsdraad ineen.



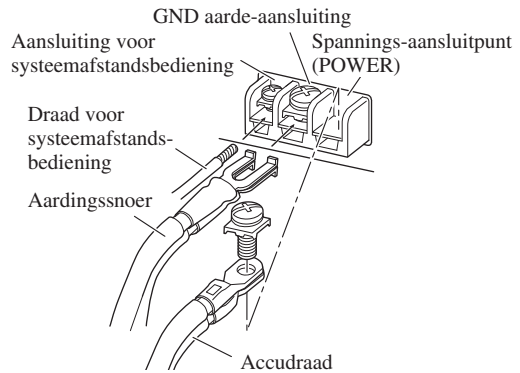
3. Bevestig verbindingstukjes aan de uiteinden van de draden. De verbindingstukjes zijn niet bijgeleverd.

- Klem de verbindingstukjes met een tangetje aan de draden.



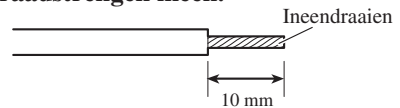
4. Sluit de draden aan.

- Zet de draden stevig met de schroeven van de aansluitingen vast.



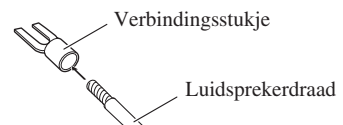
Verbinden van de luidspreker-uitgangsaansluitingen

1. Verwijder ongeveer 10 mm isolatie van het uiteinde van de luidsprekerdraden met een tang, en draai draadstrengen ineen.



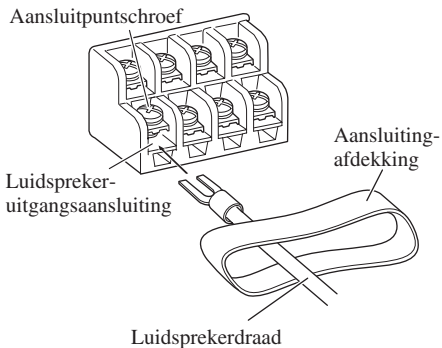
2. Bevestig verbindingstukjes aan de uiteinden van de luidsprekerdraden. De verbindingstukjes zijn niet bijgeleverd.

- Klem de verbindingstukjes met een tangetje aan de draden.

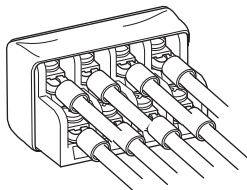


3. Verbind de luidsprekerdraden met de luidsprekeruitgangsaansluiting.

- Haal de draden door de aansluitingafdekking en verbind de luidsprekerdraden.
- Zet de luidsprekerdraden goed met de schroeven van de aansluiting vast.



4. Druk op de aansluitingafdekking.

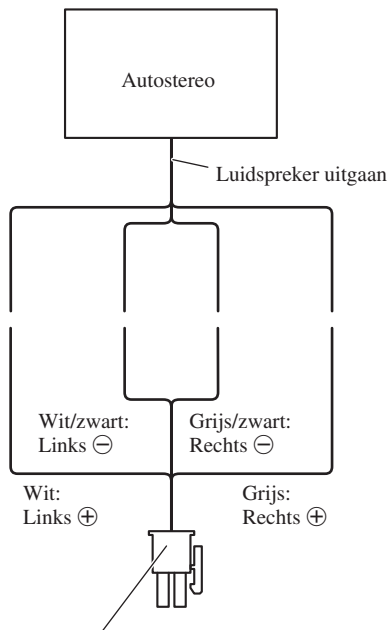


Het gebruik van luidsprekeringang

Verbinden de autostereo luidspreker uitgaan met de versterker door Gebruiken de geleverent spreker ingaan verbinding.

- Maak niet tegelijk met de RCA ingang en de luidsprekeringang een verbinding.

■ In geval van Luidsprekeringangs de verbinding gebruiken



Luidspreker ingaan verbinding
Naar luidsprekeringangs-
aansluitpunt van dit apparaat.

Aansluiten van de luidsprekerdraden

De luidsprekeruitgangsstand kan voor vier, drie (stereo + mono) of twee kanalen (stereo, mono) zijn. Sluit de luidsprekersnoeren aan overeenkomstig de gewenste functie zoals aangegeven in de onderstaande afbeeldingen.

- Bij verbinding met de RCA ingang of de luidsprekeringang zal de RCA uitgang functioneren. Maak niet tegelijk met de RCA ingang en de luidsprekeringang een verbinding.

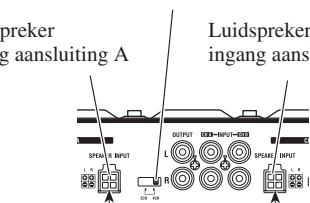
Vier-kanalen functie

Ingangskeuzeschakelaar

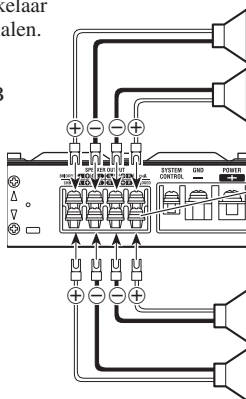
Schuif deze schakelaar naar links voor invoer vanuit twee kanalen. Schuif deze schakelaar naar rechts voor invoer vanuit vier kanalen.

Luidspreker
ingang aansluiting A

Luidspreker
ingang aansluiting B



Luidspreker ingaan
verbinding



(Links)
Luidsprekeruitgang A
(Rechts)

Luidspreker
uitgang aansluiting

(Rechts)
Luidsprekeruitgang B
(Links)

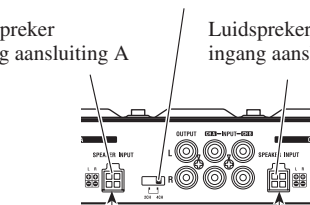
Drie-kanalen functie

Ingangskeuzeschakelaar

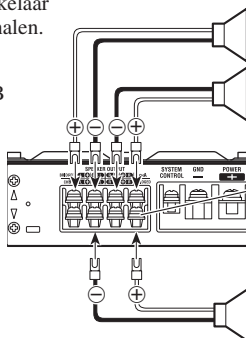
Schuif deze schakelaar naar links voor invoer vanuit twee kanalen. Schuif deze schakelaar naar rechts voor invoer vanuit vier kanalen.

Luidspreker
ingang aansluiting A

Luidspreker
ingang aansluiting B



Luidspreker ingaan
verbinding



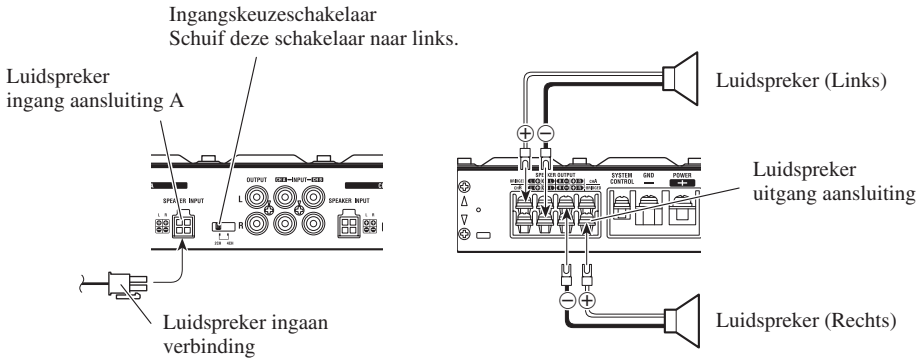
(Links)
Luidsprekeruitgang A
(Rechts)

Luidspreker
uitgang aansluiting

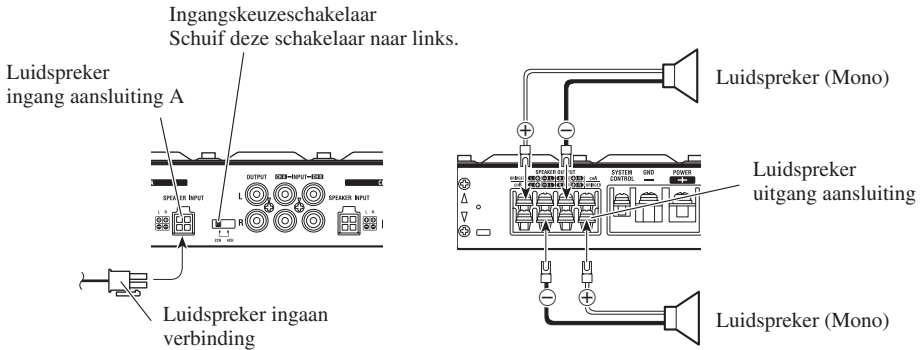
Luidsprekeruitgang B
(Mono)

Aansluiten van het toestel

Twee-kanalen functie (stereo)



Twee-kanalen functie (mono)



WAARSCHUWING

- Niet installeren op:
 - Plaatsen waar het de bestuurder of passagiers zou kunnen verwonden wanneer de auto plotseling stopt.
 - Plaatsen waar de bestuurder door de eenheid tijdens het rijden zou kunnen worden gehinderd, zoals bijvoorbeeld op de vloer voor de bestuurdersstoel.
- Controleer dat draden niet in de weg van de stoelverstelmechanismen zitten. Dit zou namelijk kortsluiting kunnen veroorzaken.
- Controleer of er zich geen onderdelen achter het paneel bevinden wanneer u een gat boort voor de installatie van de versterker. Zorg ervoor dat alle kabels en belangrijke onderdelen zoals brandstofleidingen, remleidingen en de elektrische bedrading beveiligd zijn en niet kunnen worden beschadigd.
- Plaats tapschroeven zodanig dat de kop van de schroef niet in aanraking met draden komt. Dit is belangrijk en voorkomt dat draden door trillingen van het voertuig door worden gesneden met brand tot gevolg.
- Voorkom een elektrische schok en installeer de versterker niet op plaatsen die mogelijk nat worden.
- Gebruik de bijgeleverde onderdelen op de manier die is beschreven om de installatie uit te voeren zoals het hoort. Als andere onderdelen dan diegene die zijn bijgeleverd worden gebruikt, is het mogelijk dat inwendige onderdelen van de versterker schade oplopen of loskomen, zodat de versterker niet meer werkt.

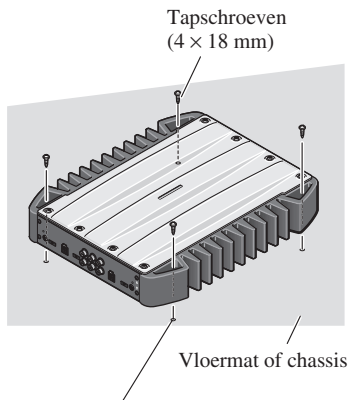
Om slechte werking te voorkomen

- Zorg dat de ventilatie van de versterker niet wordt gehinderd, en let derhalve op de volgende punten tijdens het installeren.
 - Zorg dat er voor een goede vrije ruimte boven de versterker is.
 - Bedeck de versterker niet met een vloermat of kleed.
- Installeer de versterker niet naast een portier, waar hij nat kan worden door regen.
- Installeer de versterker niet op onstabiele plaatsen, zoals op de reservebandhouder.
- De beste installatieplaats is verschillend afhankelijk van het automerk en model en uw wensen. Plaats de versterker echter beslist stevig op een stabiele plaats.
- Maak eerst voorlopige aansluitingen en ga na of de versterker en het systeem naar behoren werken.

- Na het installeren van de versterker, moet u controleren dat het reservewiel, de krik en het gereedschap nog gemakkelijk kunnen worden verwijderd.

Voorbeeld van installatie op de vloermat of op het chassis

1. Zet de versterker op de plaats waar hij moet worden geïnstalleerd. Steek de bijgeleverde tapschroeven (4×18 mm) in de schroefgaten. Druk met een schroevendraaier op de schroeven zodat ze een inkeping maken op de plaats waar de gaten voor de installatie moeten komen.
2. Boor gaten met een diameter van 2,5 mm op de plaatsen die zijn gemerkt en installeer de versterker, ofwel op de vloermat ofwel rechtstreeks op het chassis.



Boor een gat met een diameter van 2,5 mm

GM-X574

Spanningsbron	14,4 V gelijkstroom (10,8 — 15,1 V toelaatbaar)
Aarding	Negatieve klem aan massa
Stroomverbruik	26,5 A (met continu spanning, 4 Ω)
Gemiddeld stroomverbruik*	9,1 A (4 Ω voor vier kanalen) 14,2 A (4 Ω voor twee kanalen)
Zekering	25 A \times 2
Afmetingen	269 (B) \times 50 (H) \times 309 (D) mm
Gewicht	3,7 kg (Excl. bedrading)
Maximale spanningsuitvoer	100 W \times 4 / 260 W \times 2
Continue uitgangsvermogen	70 W \times 4 / 160 W \times 2 (DIN45324, +B = 14,4 V)
Aansluitimpedantie	4 Ω (2 — 8 Ω toelaatbaar) (Geschakelde verbinding: 4 — 8 Ω toelaatbaar)
Frequentieweergave	10 — 45.000 Hz (+0 dB, -1 dB)
Signaal/ruisverhouding	97 dB (IEC-A netwerk)
Vervorming	0,008% (10 W, 1 kHz)
Scheiding	65 dB (1 kHz)
Laag-doorlaatfilter	Afsnijfrequentie: 80 Hz Afsnijfsteilheid: -12 dB/oct
Hoog-doorlaatfilter	Afsnijfrequentie: 80 Hz Afsnijfsteilheid: -12 dB/oct
Maximale ingangsniveau-/impedantie	RCA: 6,5 V/22 k Ω (0,2 — 6,5 V) Luidspreker: 26 V/40 k Ω (0,8 — 26 V)

Opmerking:

- Technische gegevens en ontwerp zijn ter productverbetering zonder voorafgaande kennisgeving wijzigbaar.

*Gemiddeld stroomverbruik

- Het gemiddelde stroomverbruik is zo goed als gelijk aan het maximale stroomverbruik van dit toestel bij ontvangst van een audiosignaal. Gebruik deze waarde bij het uitrekenen van het totale stroomverbruik van meerdere vermogensversterkers.

GM-X374

Spanningsbron	14,4 V gelijkstroom (10,8 — 15,1 V toelaatbaar)
Aarding	Negatieve klem aan massa
Stroomverbruik	19,2 A (met continu spanning, 4 Ω)
Gemiddeld stroomverbruik*	6,7 A (4 Ω voor vier kanalen) 10,9 A (4 Ω voor twee kanalen)
Zekering	30 A
Afmetingen	265 (B) × 50 (H) × 237 (D) mm
Gewicht	2,8 kg (Excl. bedrading)
Maximale spanningsuitvoer	70 W × 4 / 200 W × 2
Continue uitgangsvermogen	45 W × 4 / 100 W × 2 (DIN45324, +B = 14,4 V)
Aansluitimpedantie	4 Ω (2 — 8 Ω toelaatbaar) (Geschakelde verbinding: 4 — 8 Ω toelaatbaar)
Frequentieweergave	10 — 45.000 Hz (+0 dB, -1 dB)
Signaal/ruisverhouding	100 dB (IEC-A netwerk)
Vervorming	0,008% (10 W, 1 kHz)
Scheiding	65 dB (1 kHz)
Laag-doorlaatfilter	Afsnijfrequentie: 80 Hz Afsnijfsteilheid: -12 dB/oct
Hoog-doorlaatfilter	Afsnijfrequentie: 80 Hz Afsnijfsteilheid: -12 dB/oct
Maximale ingangsniveau/-impedantie	RCA: 6,5 V/22 kΩ (0,2 — 6,5 V) Luidspreker: 26 V/40 kΩ (0,8 — 26 V)

Opmerking:

- Technische gegevens en ontwerp zijn ter productverbetering zonder voorafgaande kennisgeving wijzigbaar.

*Gemiddeld stroomverbruik

- Het gemiddelde stroomverbruik is zo goed als gelijk aan het maximale stroomverbruik van dit toestel bij ontvangst van een audiosignaal. Gebruik deze waarde bij het uitrekenen van het totale stroomverbruik van meerdere vermogensversterkers.

PIONEER CORPORATION

4-1, MEGURO 1-CHOME, MEGURO-KU, TOKYO 153-8654, JAPAN

PIONEER ELECTRONICS (USA) INC.

P.O. Box 1540, Long Beach, California 90801-1540, U.S.A.
TEL: (800) 421-1404

PIONEER EUROPE NV

Haven 1087, Keetberglaan 1, B-9120 Melsele, Belgium
TEL: (0) 3/570.05.11

PIONEER ELECTRONICS ASIACENTRE PTE. LTD.

253 Alexandra Road, #04-01, Singapore 159936
TEL: 65-6472-1111

PIONEER ELECTRONICS AUSTRALIA PTY. LTD.

178-184 Boundary Road, Braeside, Victoria 3195, Australia
TEL: (03) 9586-6300

PIONEER ELECTRONICS OF CANADA, INC.

300 Allstate Parkway, Markham, Ontario L3R OP2, Canada
TEL: (905) 479-4411

PIONEER ELECTRONICS DE MEXICO, S.A. de C.V.

San Lorenzo 1009 3er. Piso Desp. 302
Col. Del Valle Mexico, D.F. C.P. 03100
TEL: 55-5688-52-90

Published by Pioneer Corporation.
Copyright © 2002 by Pioneer Corporation.
All rights reserved.

Publication de Pioneer Corporation.
Copyright © 2002 Pioneer Corporation.
Tous droits de reproduction et de traduction
réservés.