

Original
language
English

SMS MEDIA CABINET TOTEM SINGLE & DOUBLE

Installation and Adjustment Manual

- DE Handbuch für Installation und Anpassung
- IT Manuale per l'installazione e la regolazione
- ES Manual de instalación y ajuste
- FI Asennus- ja säätöohje
- FR Manuel d'installation et de réglage
- NL Handboek voor installatie en instellingen
- PL Instrukcja instalacji i konfiguracji
- RUS Инструкция по установке и регулировке
- ARB والتكـوين التثبيـت حول إرشادات
- SE Monterings- och justeringsmanual
- GR Εγχειρίδιο εγκατάστασης και ρύθμισης

Assembly Instructions

You will need

List of parts

Double Totem

OR

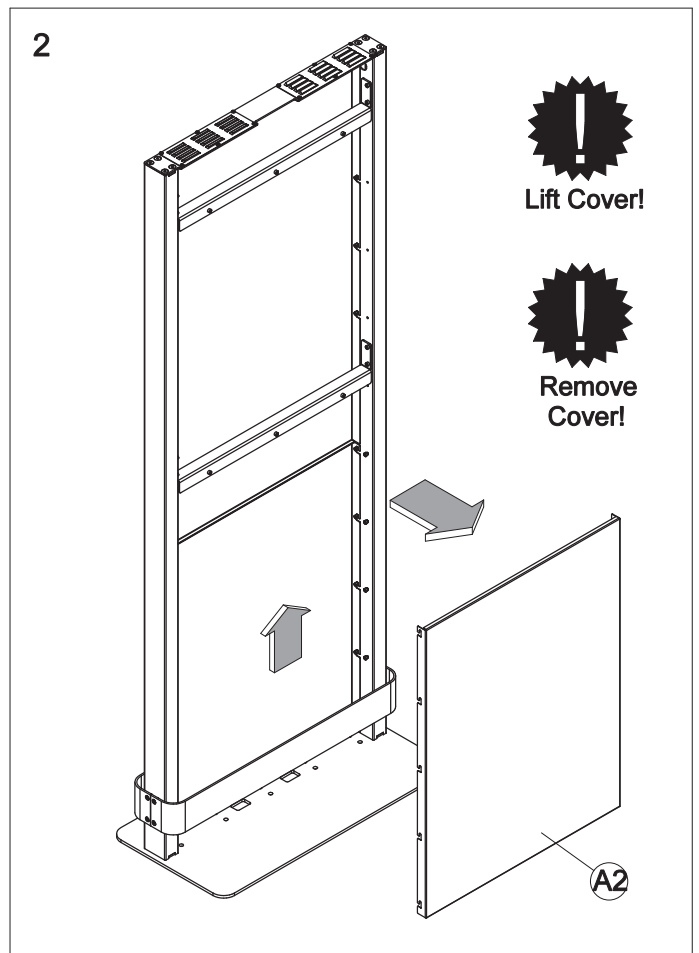
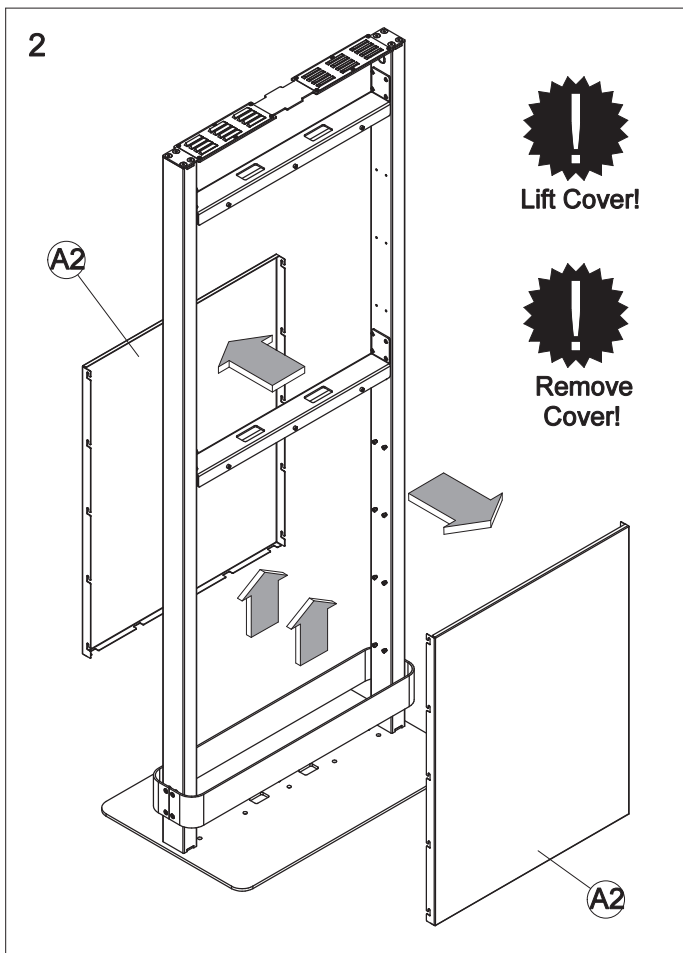
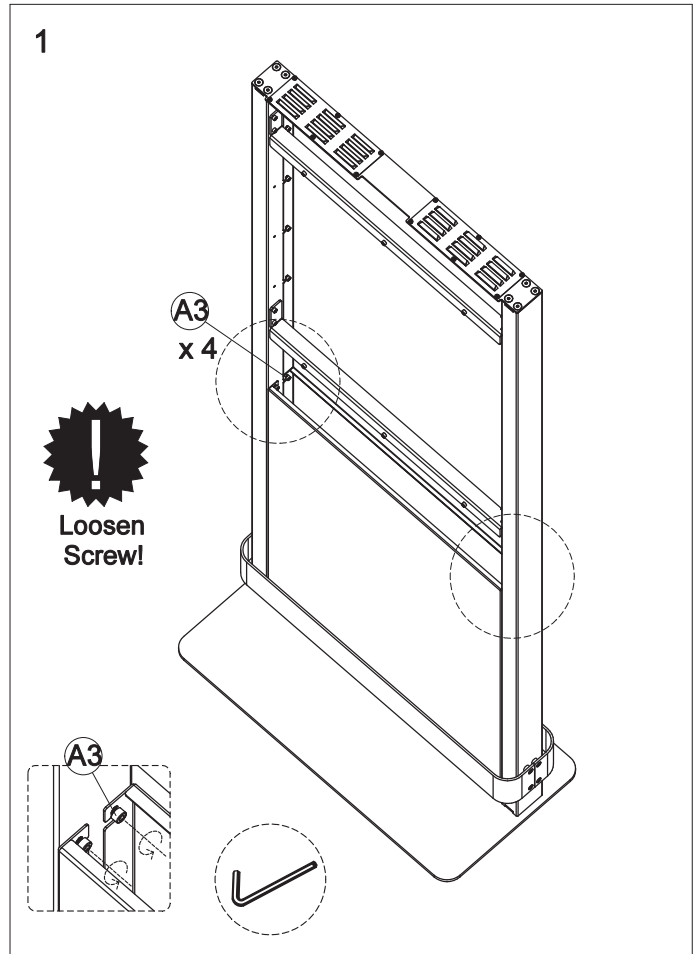
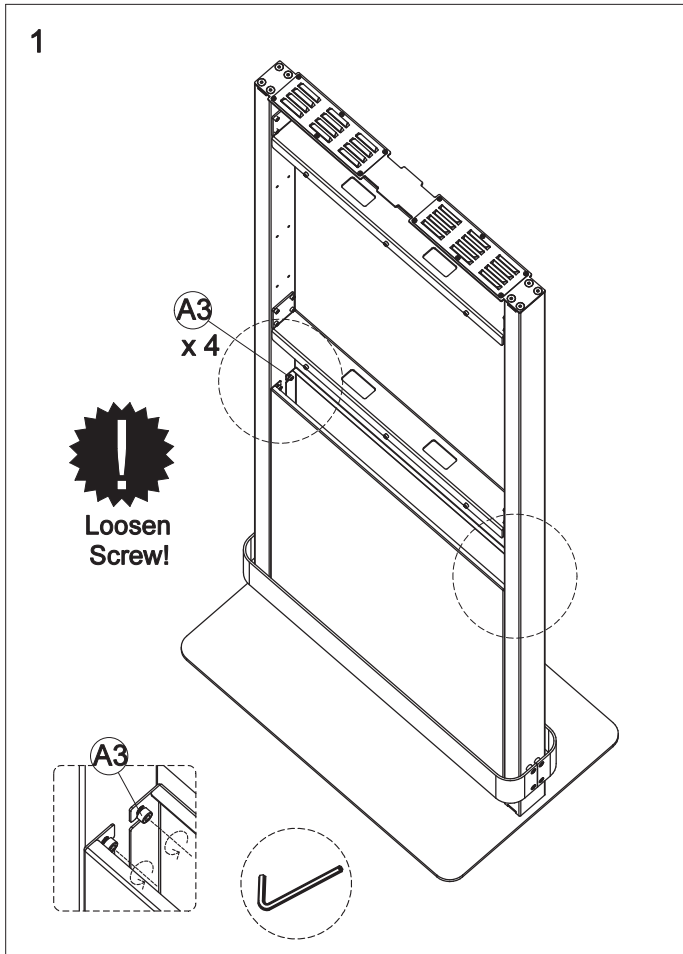
Single Totem

Media Cabinet
 x 2 (Double Totem)
 OR
 x 1 (Single Totem)

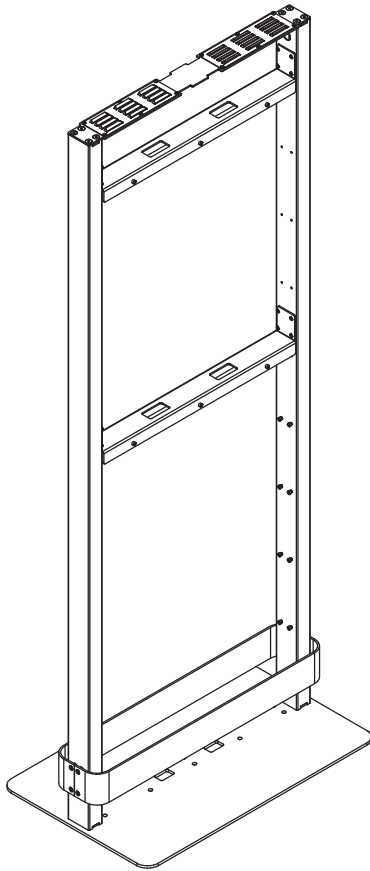
Screw List		
A3		Screw M6x12 x4
A4		Screw M6x12 x12
A5		Screw M6x12 x6
S1		Allen Key no. 3,4 x2

Double Totem

Single Totem

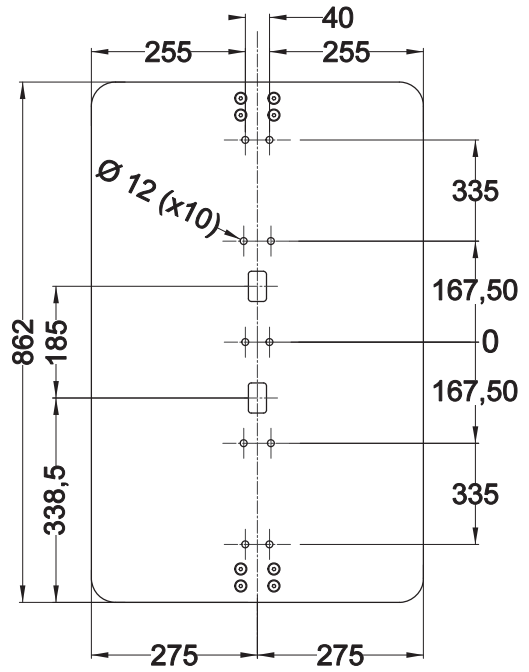


3



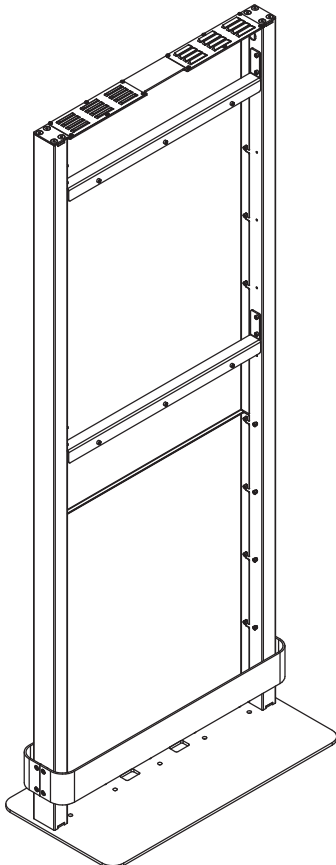
!
Mark holes
on floor!

Double Totem



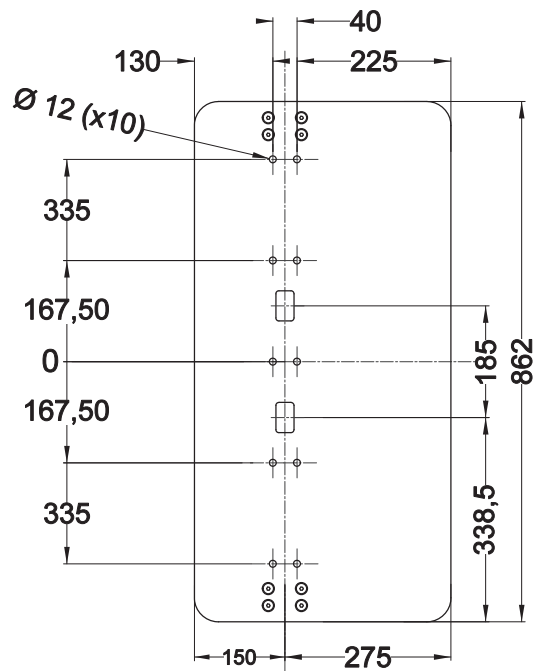
All dimensions in mm.

3

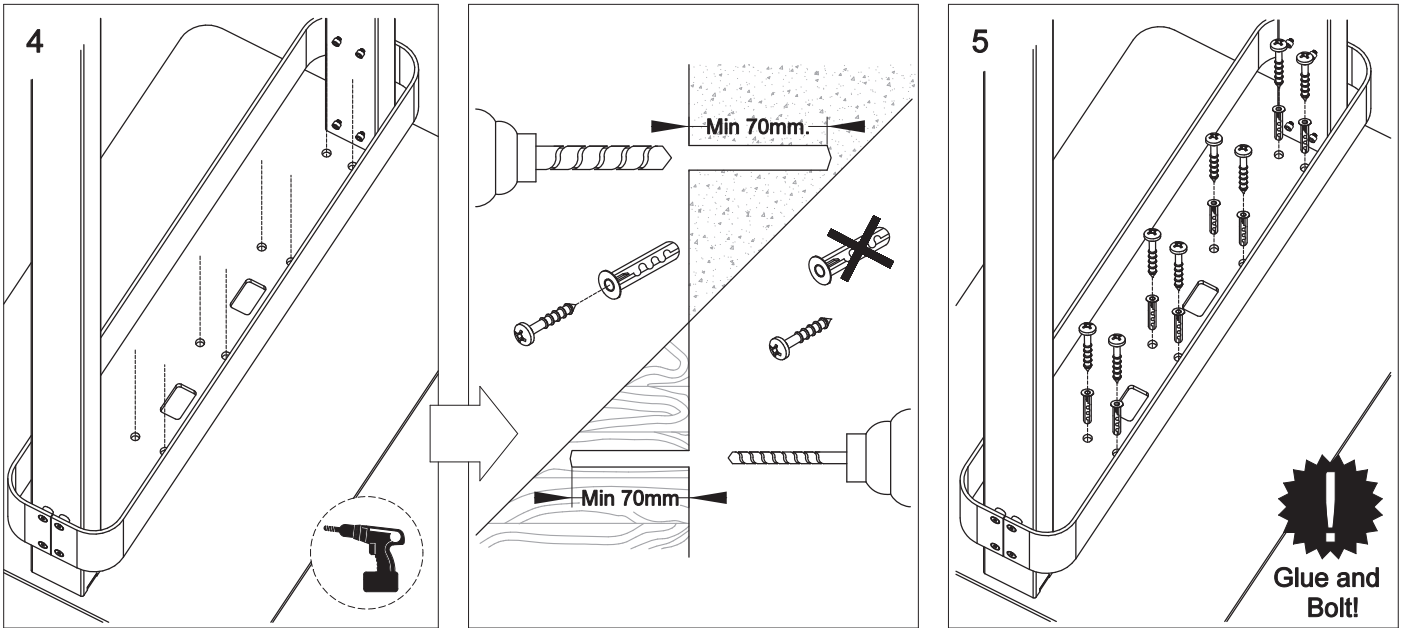


!
Mark holes
on floor!

Single Totem

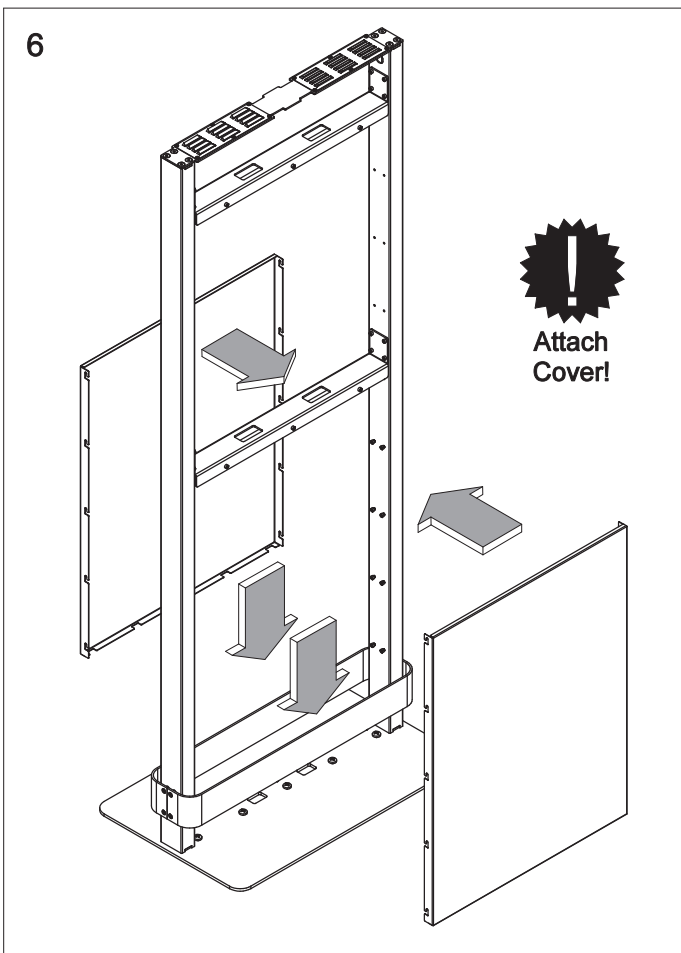


All dimensions in mm.

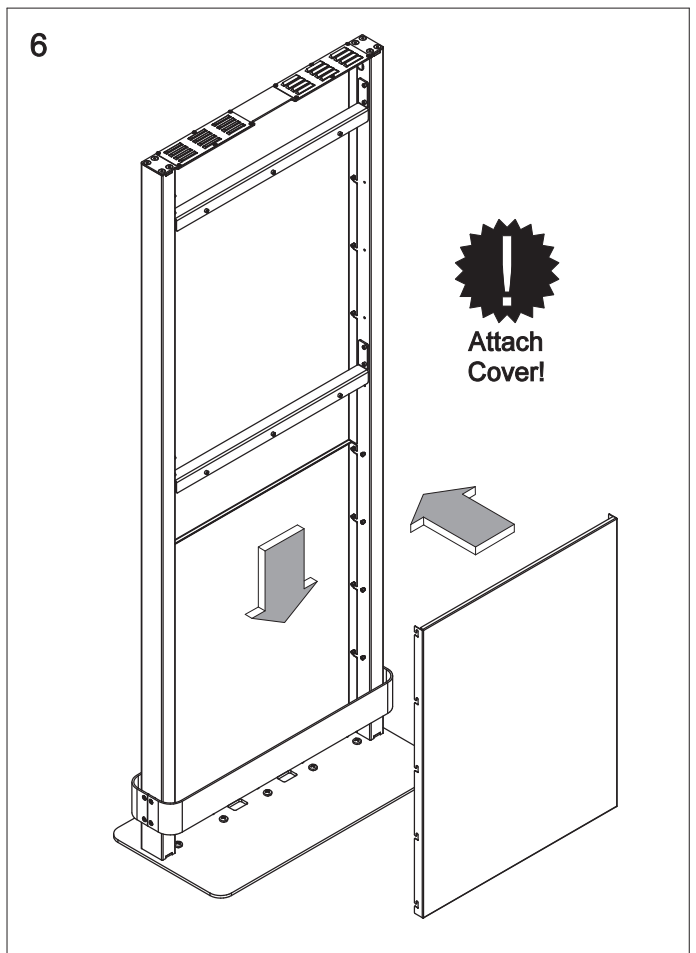


SMS recommend Double Totem / Single Totem, both glued and bolted to the floor.

Double Totem

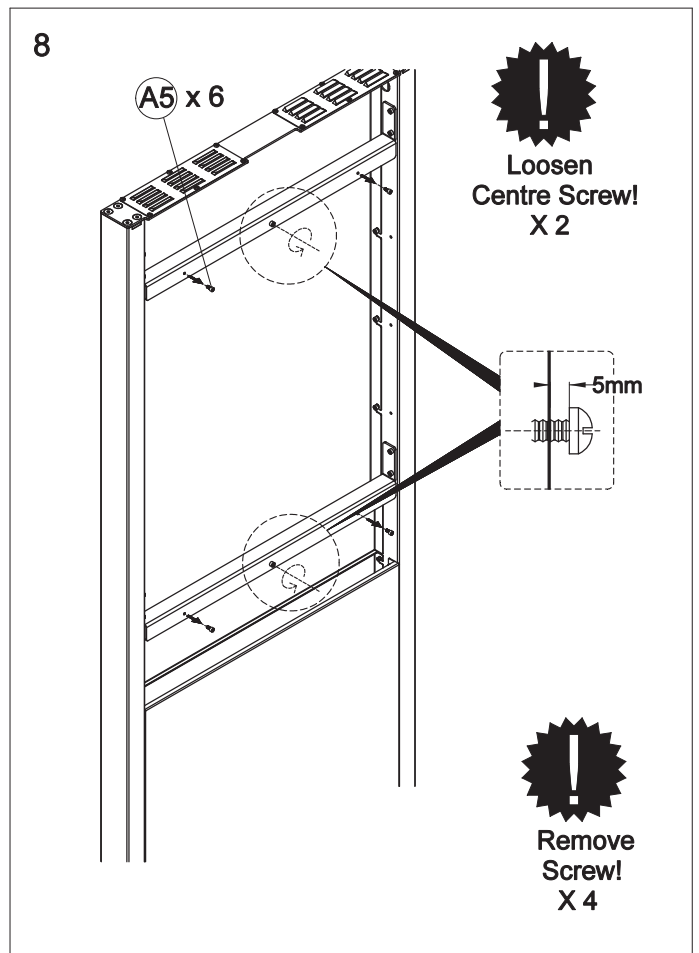
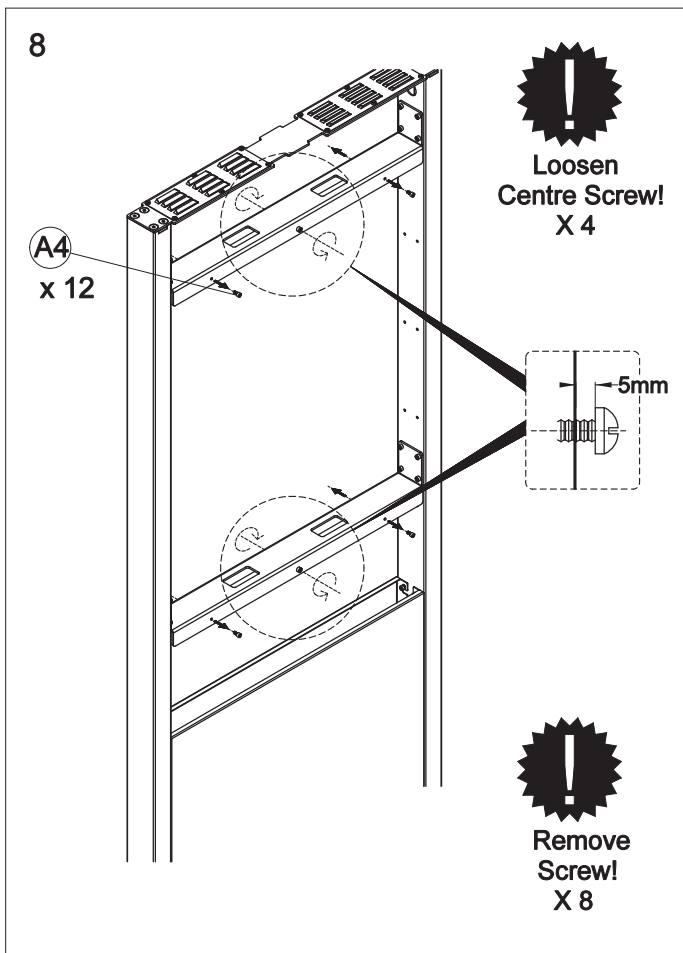
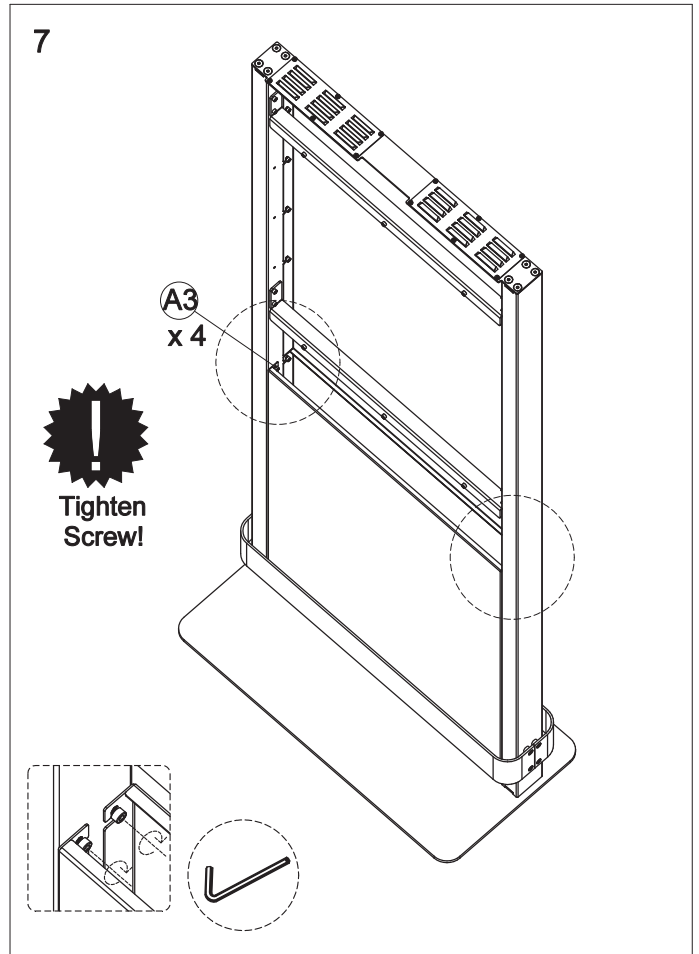
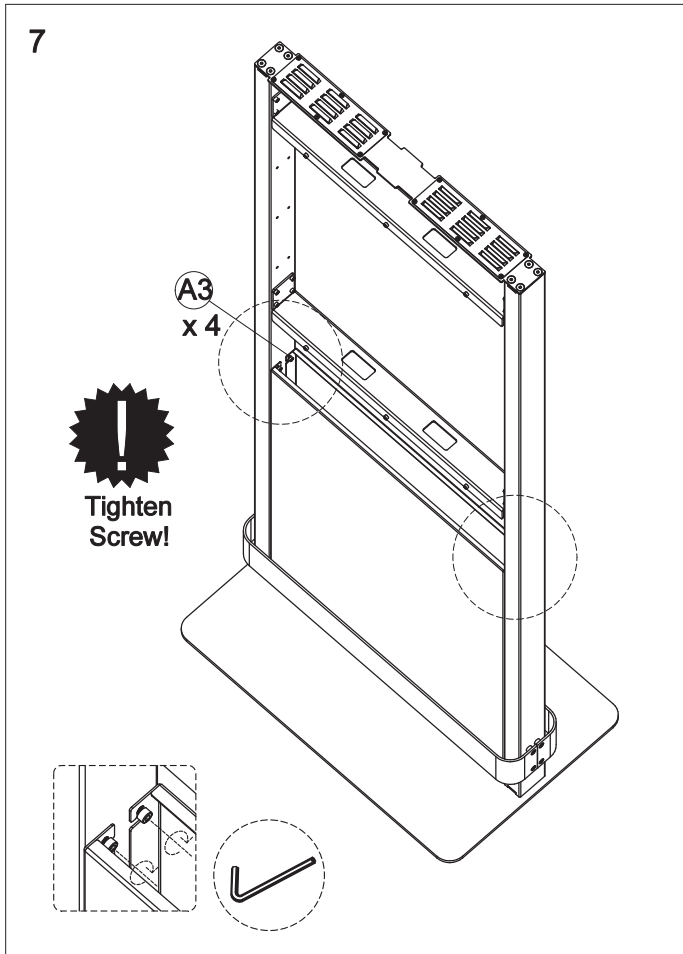


Single Totem



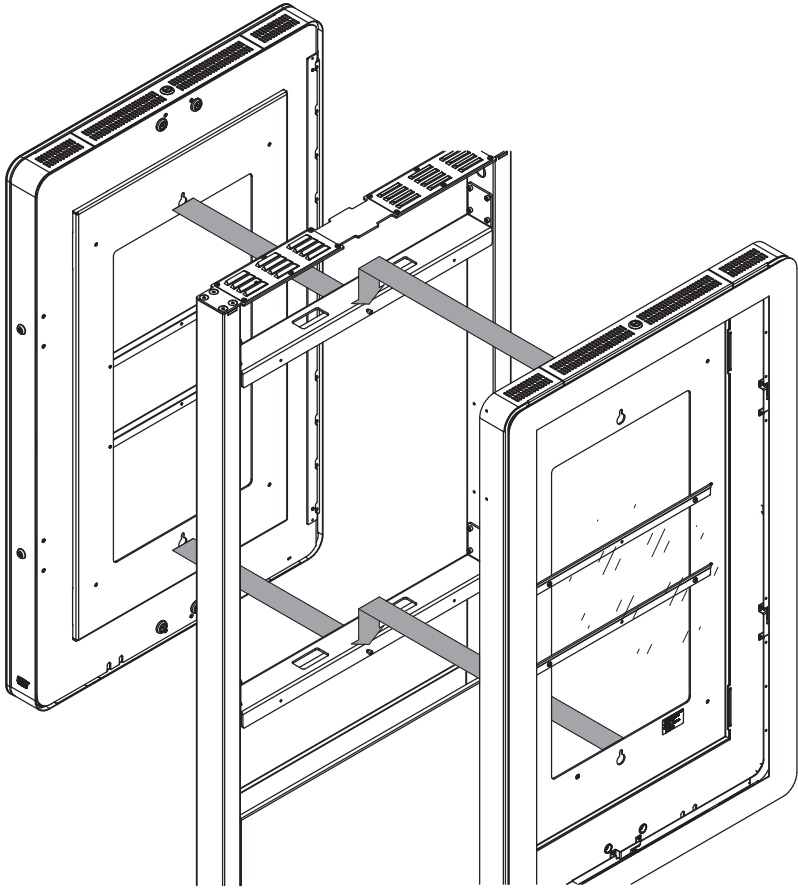
Double Totem

Single Totem



Double Totem

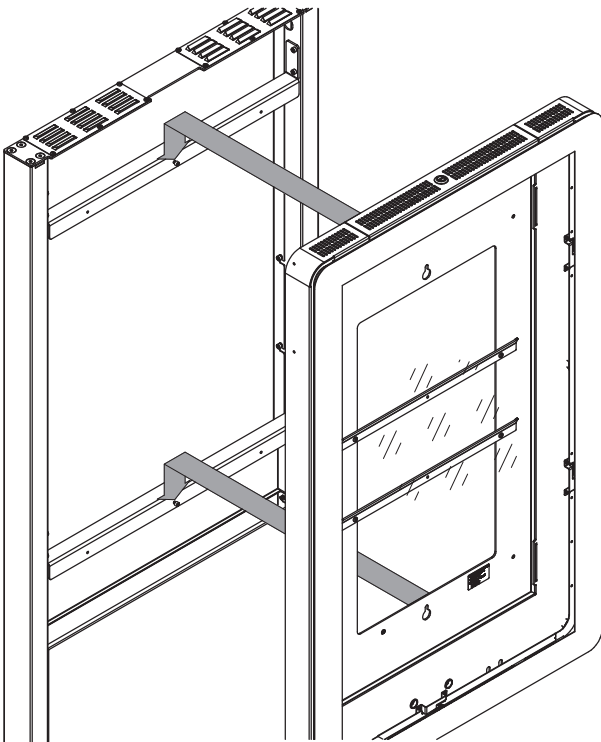
9



Hook Cabinet!

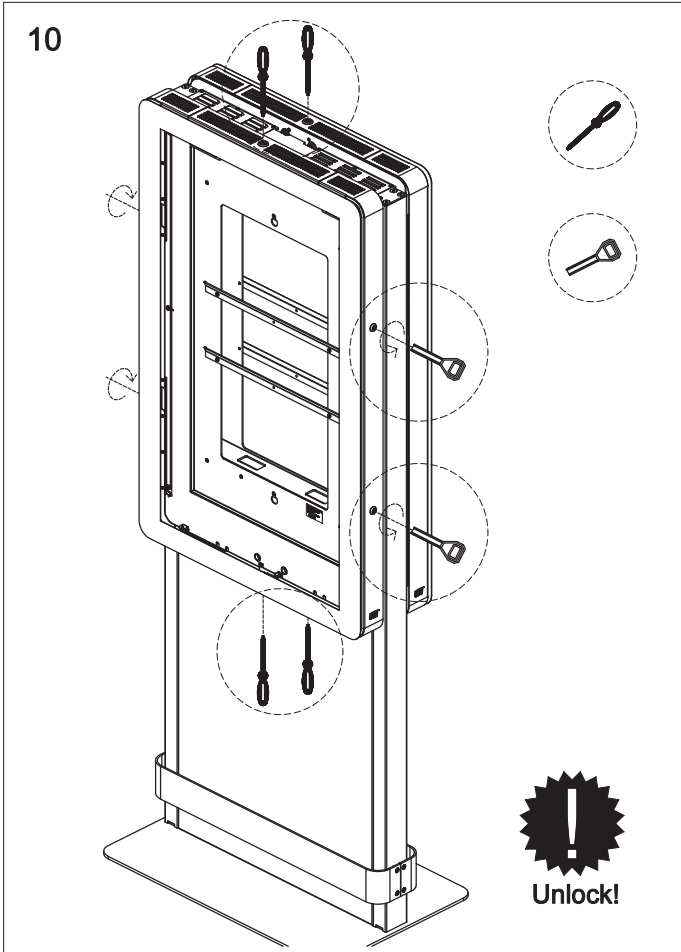
Single Totem

9

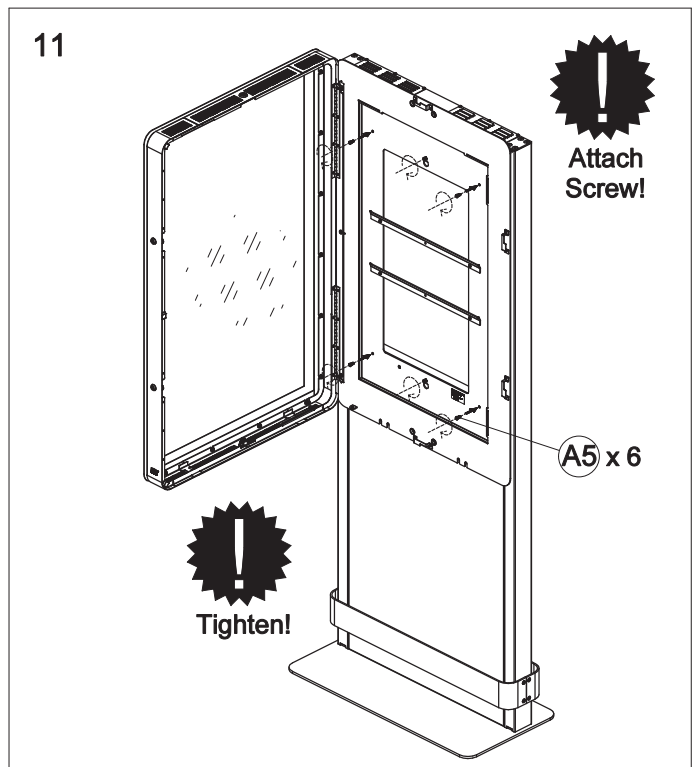
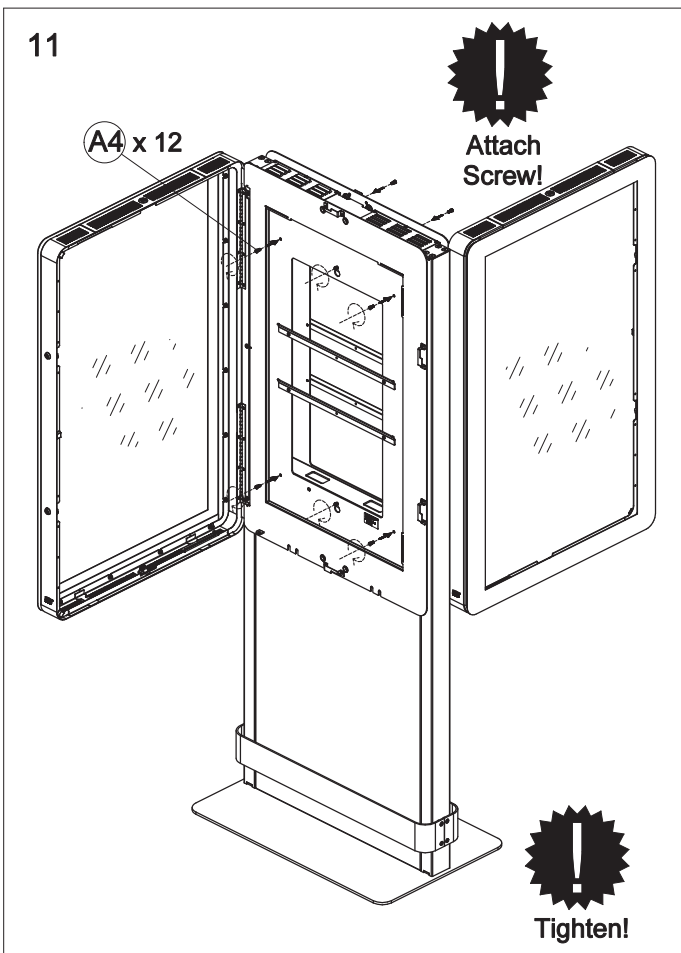
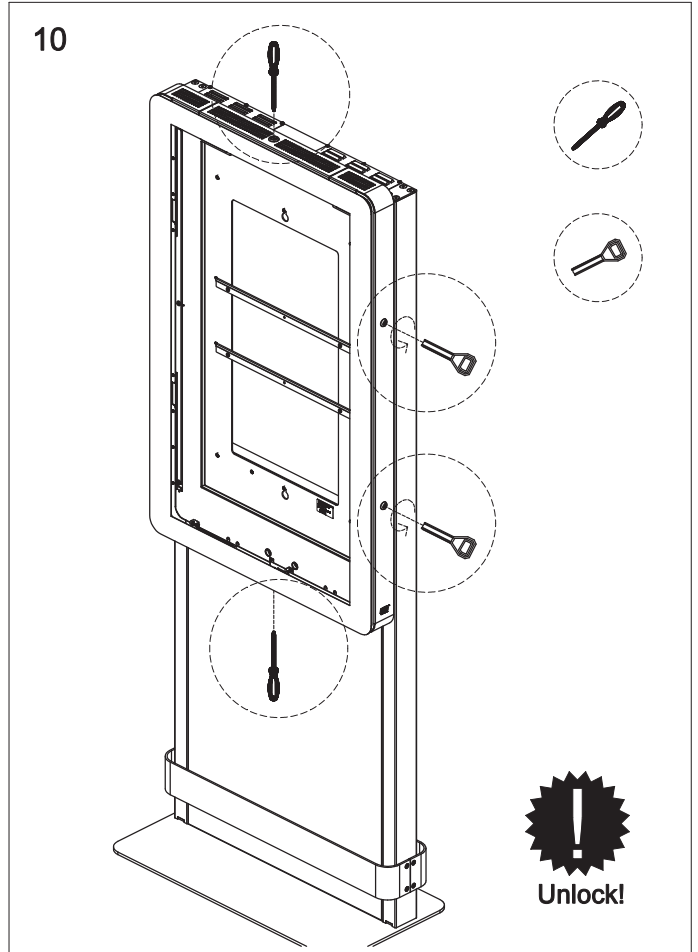


Hook Cabinet!

Double Totem

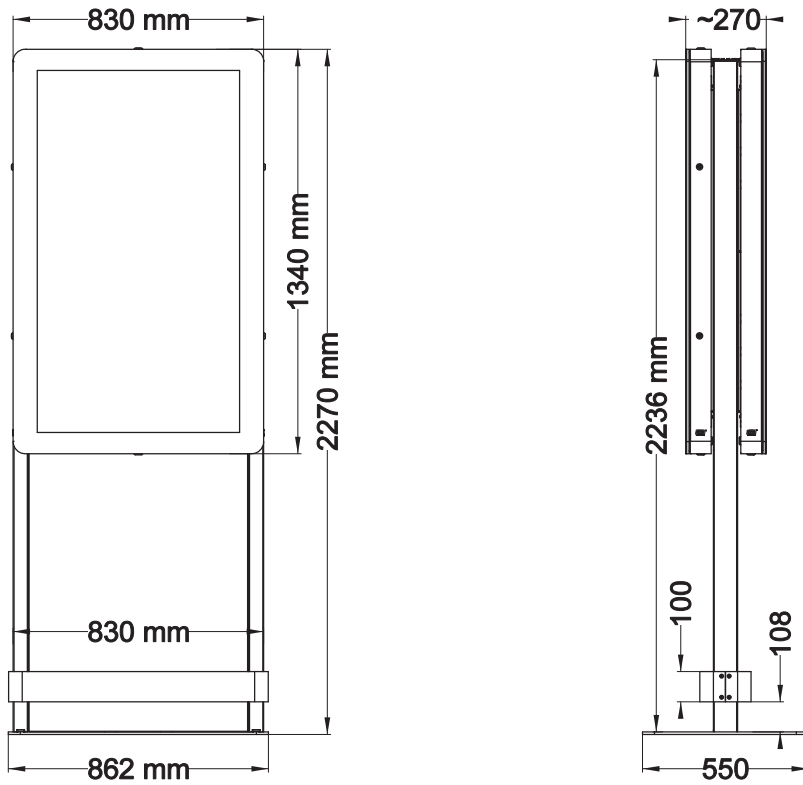


Single Totem



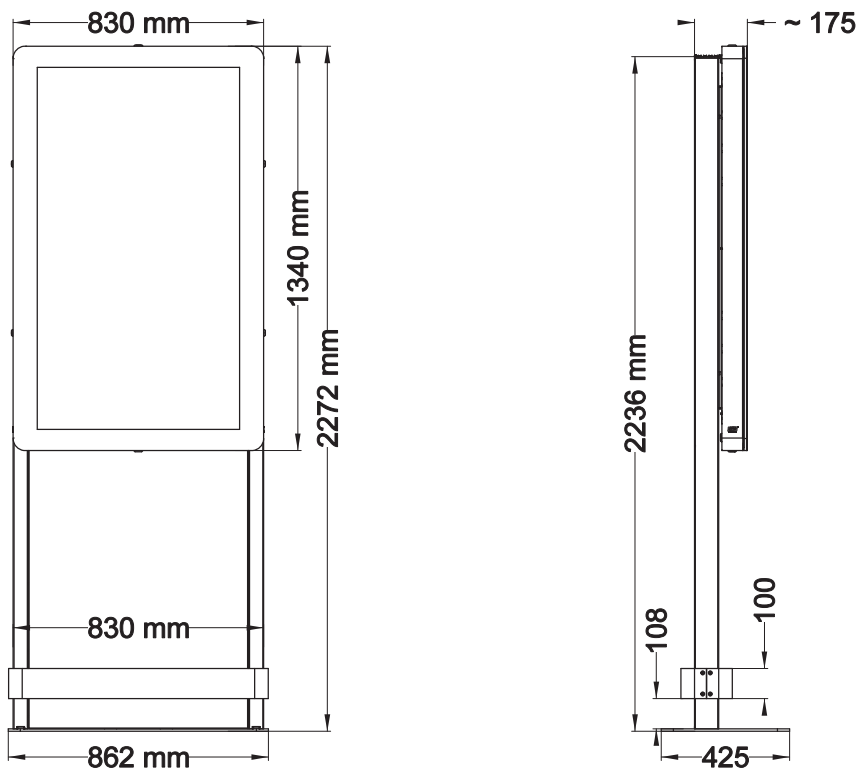
Product Dimensions

Double Totem



All dimensions in mm.

Single Totem



All dimensions in mm.

