

Original
language
English

SMS MEDIA CABINET INDOOR WALL

Installation and Adjustment Manual

- DE** Handbuch für Installation und Anpassung
- IT** Manuale per l'installazione e la regolazione
- ES** Manual de instalación y ajuste
- FI** Asennus- ja säätöohje
- FR** Manuel d'installation et de réglage
- NL** Handboek voor installatie en instellingen
- PL** Instrukcja instalacji i konfiguracji
- RUS** Инструкция по установке и регулировке
- ARB** والتكـوين التثبيـت حول إرشادات
- SE** Monterings- och justeringsmanual
- GR** Εγχειρίδιο εγκατάστασης και ρύθμισης

Assembly Instructions

You will need

12 mm.

List of parts

40" Cabinet /
46" Cabinet /
55" Cabinet

ADDITIONAL ITEM

Vesa Bar 400
(for 46" display)

OR

Vesa Bar 600
(for 55" display)

OR

Vesa Bar 200
(for 40" display)

Screw Kit (with Vesa Bars)

K1 (x4) **K2** (x4) **K3** (x4)
K4 (x4) **K5** (x4) **K6** (x4)

Screw List

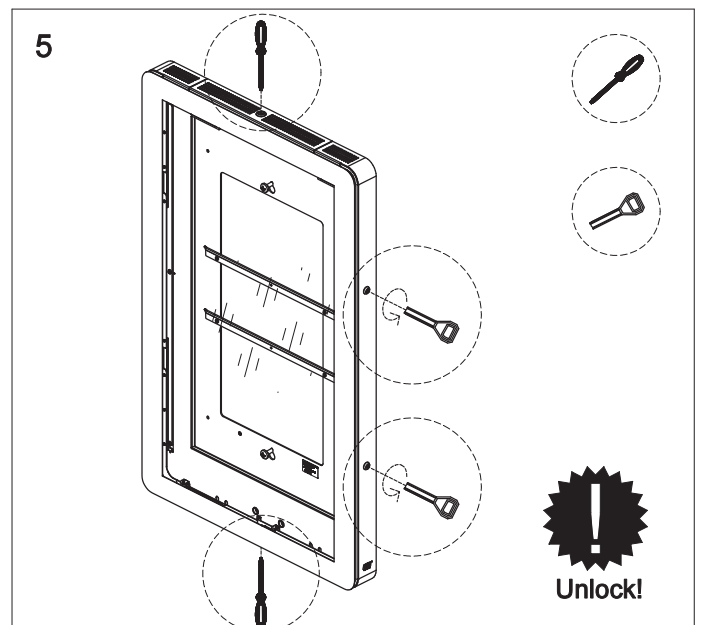
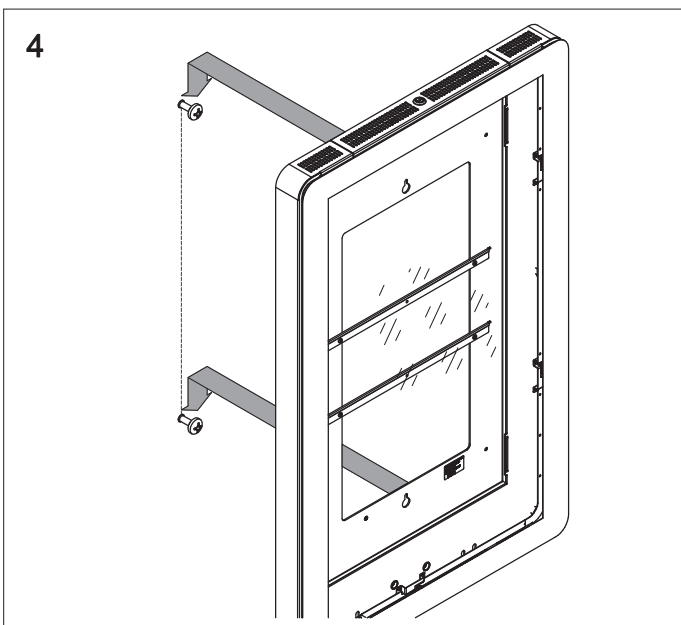
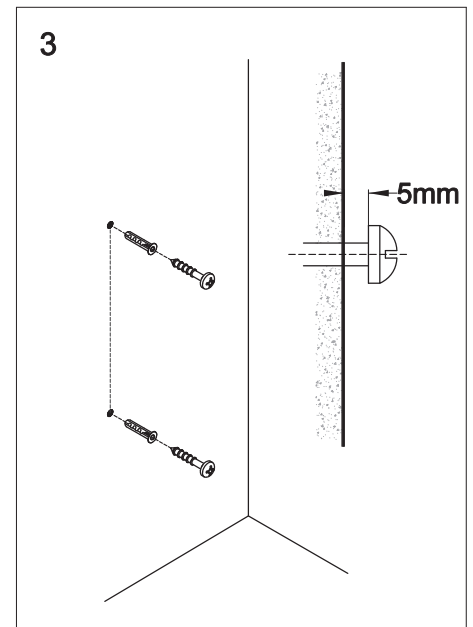
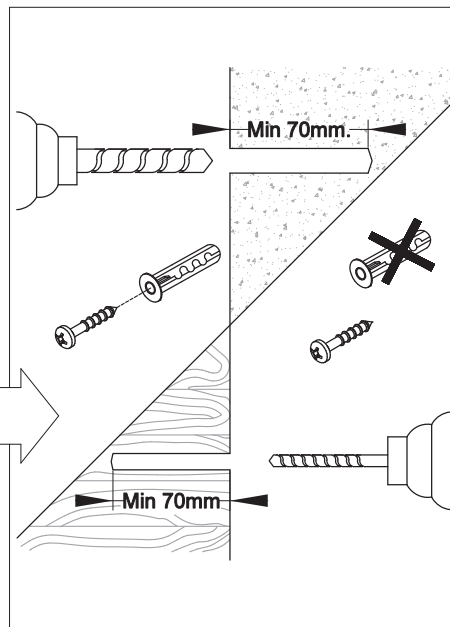
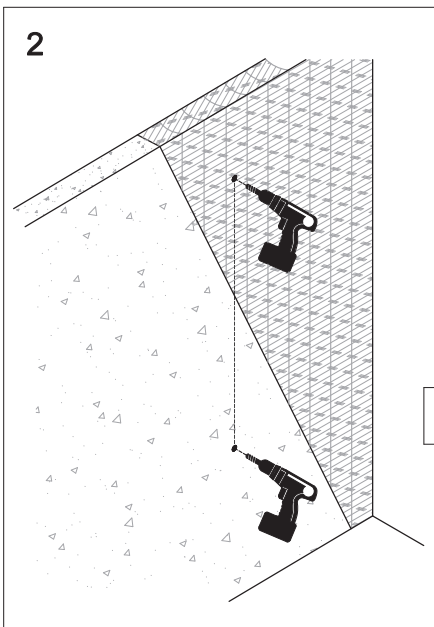
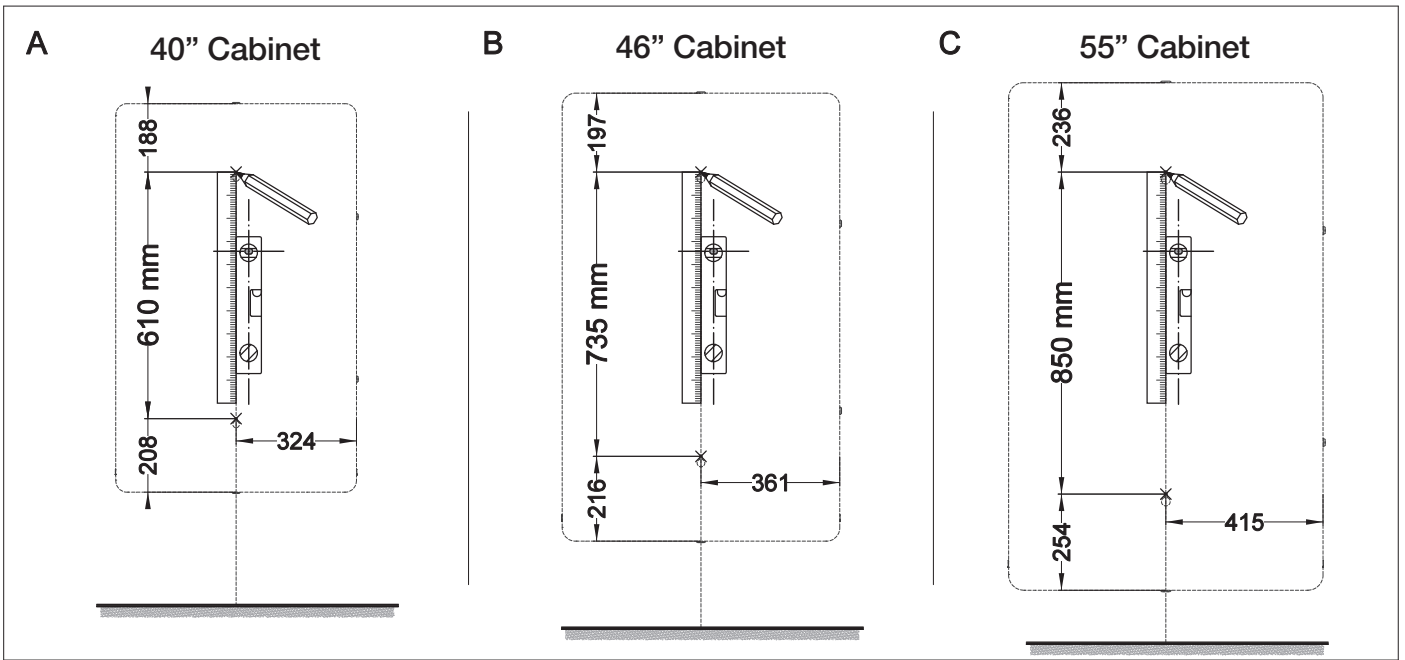
K1		Screw M6x12	x4
K2		Screw M8x12	x4
K3		Screw M6x20	x4
K4		Screw M8x40	x4
K5		Washer	x4
K6		Distance Washer	x4

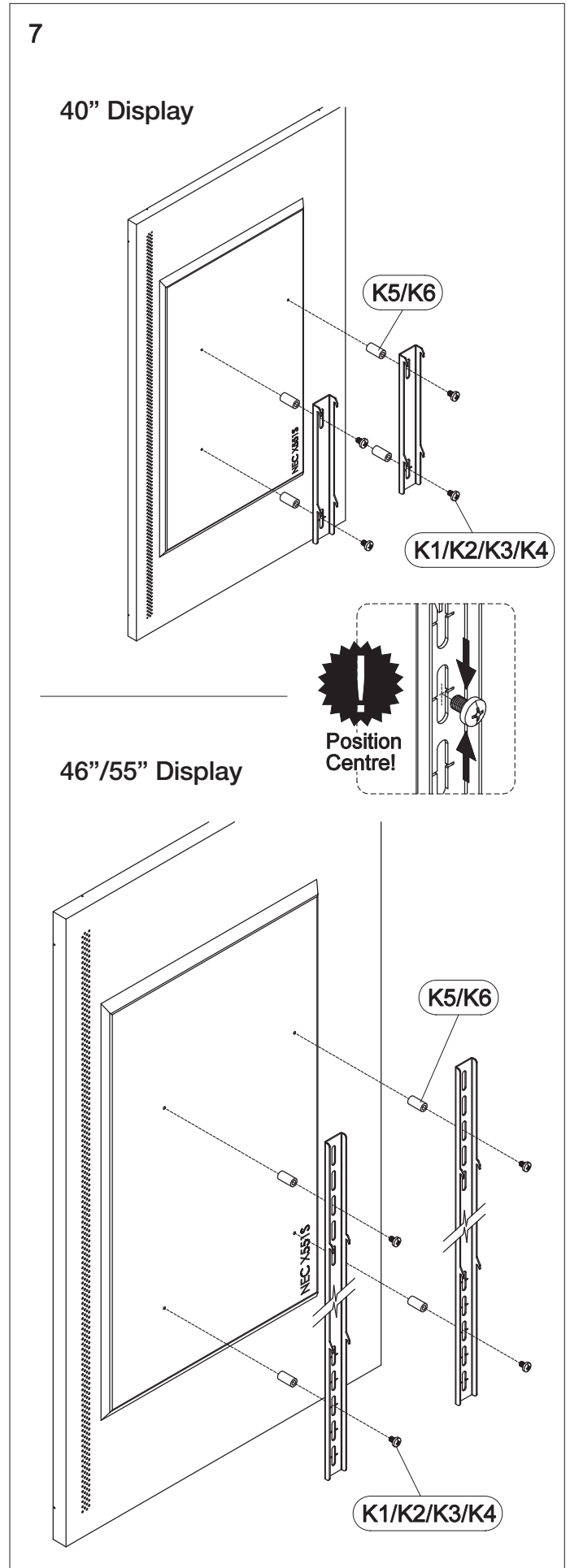
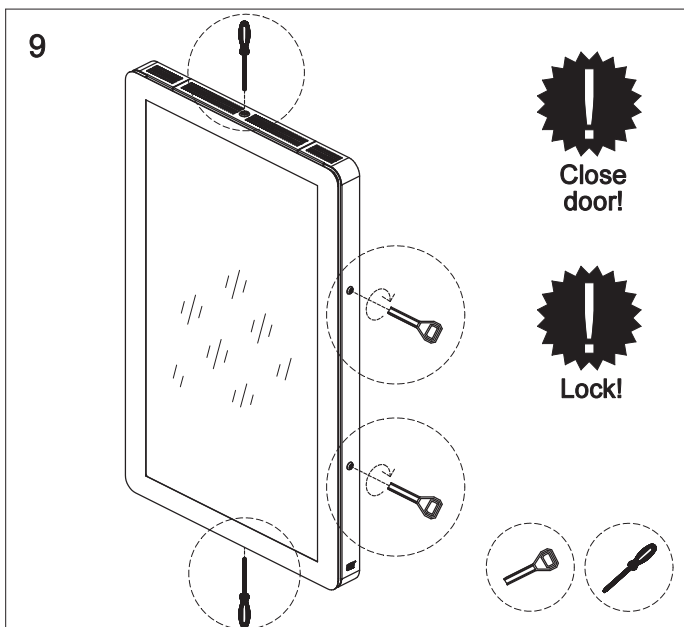
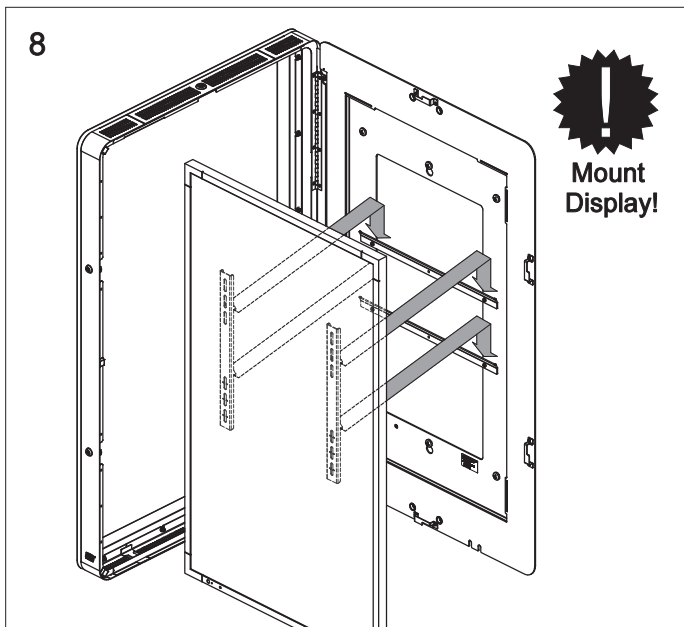
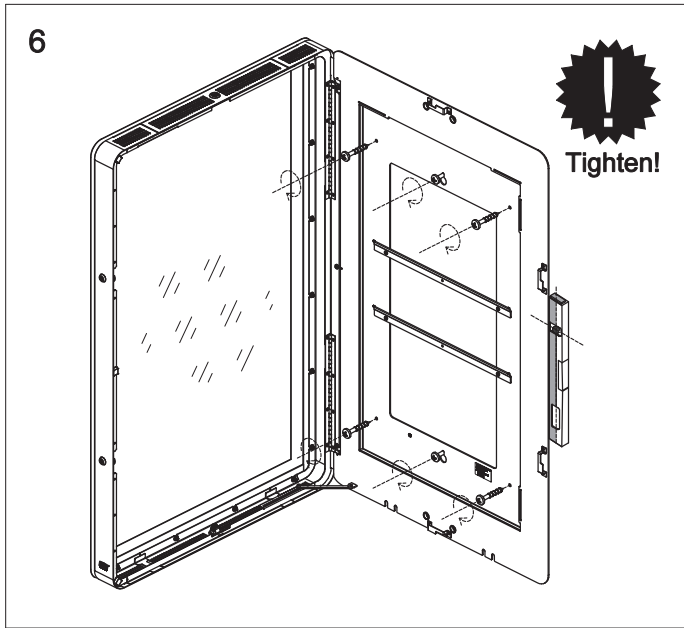
Key

1 Position Cabinet on the wall

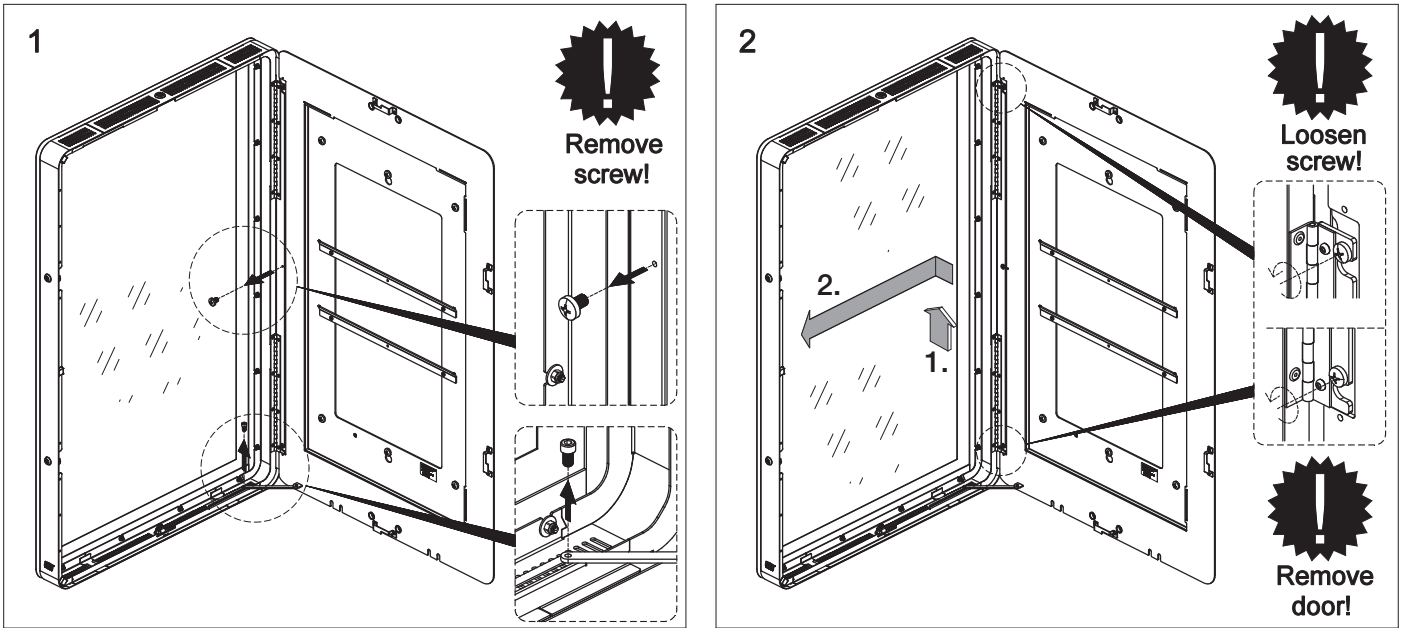
Mark the position

Follow Product Dimensions!

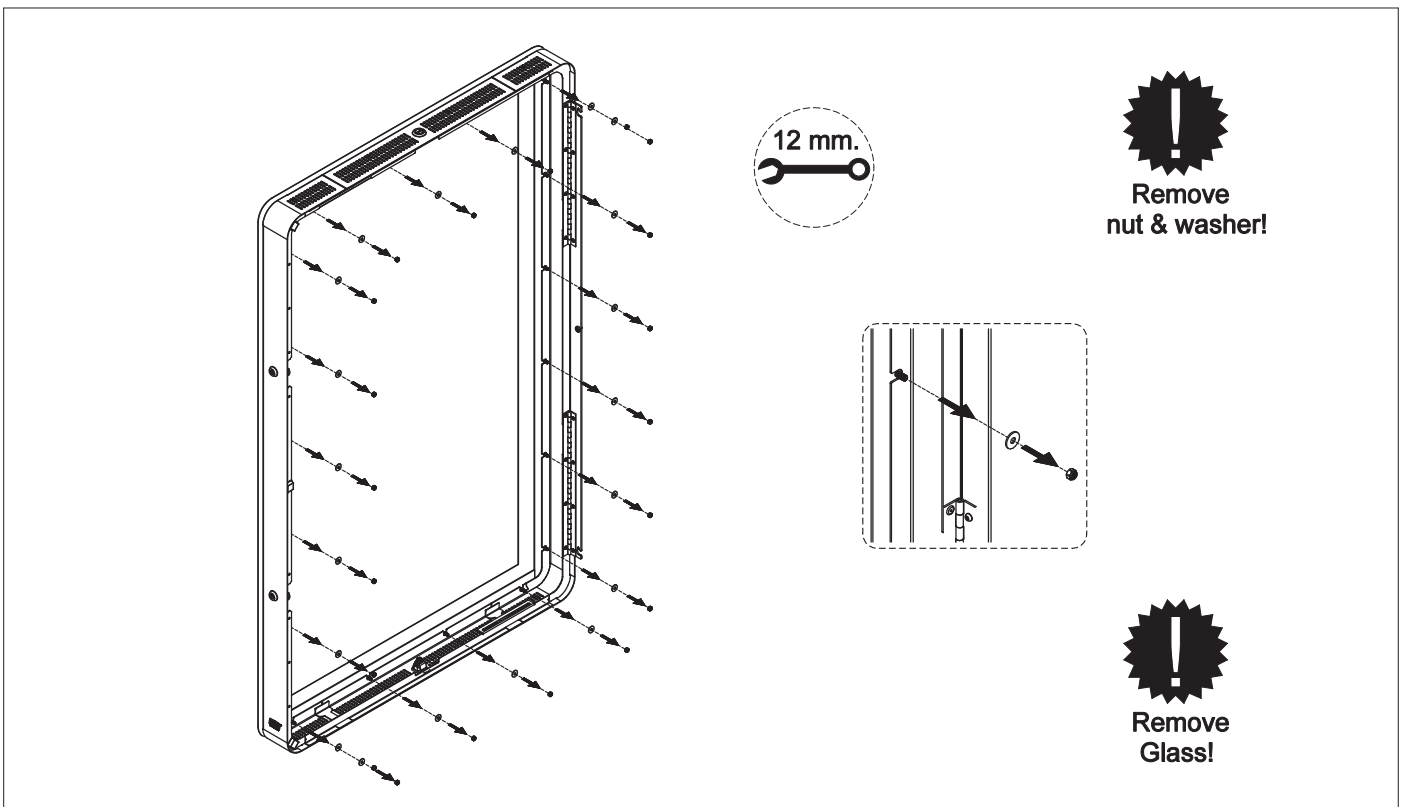




How to dismount the door



How to remove the glass



Product Dimensions

