



Grillo

AGRIGARDEN MACHINES



02401-16

FD450

**OPERATOR'S MANUAL
MANUALE DELL'OPERATORE
MANUEL D'UTILISATION
BEDIENUNGSANLEITUNG
MANUAL DE INSTRUCCIONES
EERST DE HANDLEIDING**

SUMMARY

Safety rules	
Instructions :	
Warnings	5
Identification and servicing	6
Technical specifications	7
Putting the machine into service	8
Instructions for use	8
Maintenance and lubrication	11
Information and warnings	91
Pictures	95
EC Declaration of conformity	

INDICE

Norme antinfortunistiche	
Istruzioni :	
Avvertenze	19
Identificazione e assistenza	21
Caratteristiche tecniche	22
Messa in opera della macchina	22
Istruzioni d'uso	23
Manutenzione e lubrificazione	25
Etichette e avvertenze	91
Figure	95
Certificato di conformità CE	

INDEX

Règles de sécurité	
Instructions :	
Mises en garde	33
Identification et assistance	35
Caractéristiques techniques	36
Mise en service de la machine	36
Mode d'emploi	37
Maintenance et lubrification	39
Étiquettes et mises en garde	91
Illustrations	95
Certificat de conformité CE	

VERZEICHNIS

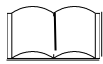
Sicherheitsvorschriften	
Anleitung:	
Sicherheitsrelevante Hinweise	48
Identifikation der Maschine und Kundendienst	50
Technische Daten	50
Inbetriebnahme der Maschine	51
Betriebsanleitung	52
Wartung und Schmierung	54
Etiketten und Warnungen	91
Abbildungen	95
EG-Konformitätserklärung	

ÍNDICE

Normas de seguridad	
Instrucciones:	
Advertencias	63
Identificación y asistencia	65
Características técnicas	66
Puesta en servicio de la máquina	66
Instrucciones de uso	67
Mantenimiento y lubricación	69
Etiquetas y advertencias	91
Ilustraciones	95
Certificado de conformidad CE	

INDEX

Veiligheidsnormen	
Instructies	
Waarschuwingen	77
Identificatie en bijstand	79
Technische kenmerken	79
De machine in werking stellen	80
Gebruiksaanwijzingen	80
Onderhoud en smering	83
Labels en waarschuwingen	91
Illustraties	95
Certificaat van overeenstemming CE	



OPEN MANUAL- means that you must read the operator's manual very carefully.

MANUALE APERTO - significa che dovete leggere attentamente il manuale di uso e manutenzione.

MANUEL OUVERT – signifie qu'il faut lire avec attention le présent manuel.

OFFENES HANDBUCH – bedeutet, dass Sie die Gebrauchs- und Wartungsanleitung aufmerksam durchlesen müssen.

MANUAL ABIERTO – es decir que hay que leer muy atentamente el manual del operador.



CAUTION! - means that you have to pay particular attention to the operation you have to carry out, in particular if there is the indication "DANGER".

ATTENZIONE! - significa che dovete porre particolare attenzione all'operazione che dovete effettuare, in particolare se vi è anche l'indicazione di "Pericolo".

ATTENTION! - signifie qu'il faut faire particulière attention dans l'opération que vous allez faire, en particulier s'il y a aussi l'indication "DANGER".

VORSICHT! - bedeutet, dass Sie besondere Aufmerksamkeit beim Durchführen des Vorgangs haben müssen, insbesondere wenn auch der Hinweis "GEFAHR" aufgeführt ist.

ATENCIÓN! - es decir que hay que poner mayor atención en la operación a ejecutar si, en particular cuando hay también la indicación "Peligro".



INTERDICTION, YOU MUST NOT DO THAT! - means that it is absolutely forbidden to carry out the operations reported under this symbol because they could lead to mortal danger.

DIVIETO, NON FARE! - significa che non dovete assolutamente fare le operazioni riportate sotto questo simbolo, potrebbe comportare un pericolo mortale.

INTERDICTION, NE PAS FAIRE! - signifie qu'il est absolument interdit d'effectuer les opérations reportées sous cette indication, car elles pourraient conduire au danger de mort.

VERBOT, strengstens untersagt! - bedeutet, dass der Vorgang unter diesem Symbol absolut nicht durchgeführt werden darf, da er zur einer lebensgefährlichen Situation führen könnte.

PROHIBICIÓN, NO LO HAGAN! - es decir que no hay que hacer absolutamente las operaciones bajo este símbolo, podría comportar un peligro mortal.



NOTE, you have to pay particular attention to the note put next to this symbol

NOTA, dovete porre particolare attenzione alla nota posta accanto a questo simbolo.

NOTE, il faut faire attention particulière à la note mise à côté de ce symbole.

ANMERKUNG, besondere Aufmerksamkeit muss auf die Anmerkungen neben diesem Symbol gelenkt werden.

NOTA, hay que poner atención particular en la nota puesta a lado de este símbolo.



You must not repair nor lubricate the machine with moving parts or with the engine put on.

Non riparare o lubrificare la macchina con organi in movimento o motore acceso

Ne pas réparer ou lubrifier la machine avec des parties en mouvement ou à moteur en marche.

Niemals bei bewegenden Objekten oder bei laufendem Motor Reparationen oder Einschmierungen durchführen.

No reparar ni lubricar la máquina con órganos en movimiento o motor en marcha.



You must not smoke, light matches or lift flames, trigger frames nor cause sparks.

Vietato fumare, accendere fiammiferi o fiamme, lasciare fiamme libere o creare scintille.

Il est interdit de fumer, allumer des allumettes ou du feu, laisser des flammes libres ou de causer des étincelles.

Es ist untersagt zu Rauchen, Streichhölzer oder Feuer anzuzünden, Flammen auslösen oder Funken verursachen.

Prohibido fumar, encender cerillas o fuego, dejar llamas o crear chispas.



Use personal protective equipment.

Utilizzare mezzi di protezione individuali.

Utilisez l'équipement de protection individuelle.

Individuelle Schutzausrüstung benutzen.

Utilizar dispositivos de protección individual.

 	<p>Take special care not to touch hot parts of the engine.</p> <p><i>Prestate particolare attenzione a non entrare in contatto con parti surriscaldate del motore.</i></p> <p>Veiller tout particulièrement à ne pas toucher des éléments surchauffés du moteur.</p> <p><i>Achtung – keine heißen Motorteile berühren!</i></p> <p>No tocar partes recalentadas del motor.</p> <p><i>Tome muito cuidado para não entrar em contacto com as partes aquecidas do motor.</i></p>
 	<p>Engine exhaust fumes can cause sickness or death. If it is necessary to run an engine in an enclosed area, use an exhaust pipe extension to remove the fumes. Always try to work in a well ventilated area.</p> <p><i>I gas di scarico possono causare malanni o morte. Se è necessario mettere in moto un motore in uno spazio chiuso, usare una prolunga tubo di scarico per far uscire il fumo. Lavorare in una zona ben ventilata.</i></p> <p>L'exhalation des gaz d'échappement peut être cause d'intoxication ou de mort. S'il est vraiment nécessaire d'allumer le moteur à l'intérieur, appliquer au tuyau d'échappement un autre tuyau extensible pour permettre la sortie des gaz. Il est toujours mieux de travailler en plein air.</p> <p><i>Auspuffgase können Übelkeit oder Tod verursachen. Wenn es notwendig ist, einen Motor in einem geschlossenen Raum laufen zu lassen, benützen Sie eine Verlängerung, um das Auspuffgas abzuleiten. Versuchen Sie immer in einem gut belüfteten Raum zu arbeiten.</i></p> <p>Los gases de escape pueden provocar enfermedades o muerte. De tener que poner en marcha un motor en un espacio cerrado, usar una prolongación del tubo de escape para que salga el humo. Trabajar en una zona bien ventilada.</p> <p><i>Os gases de escape podem causar danos ou morte. Caso seja necessário fazer com que o motor funcione num espaço fechado, utilize uma extensão para o tubo de escape que os fumos sejam expulso para o exterior. Trabalhe numa área bem ventilada.</i></p>
 	<p>Caution! Never touch moving pulleys or belts. They can be very dangerous. Never do maintenance with engine running.</p> <p><i>Attenzione! Non toccare mai pulegge o cinghie in movimento, creano gravi danni alla persona. Non fare manutenzione col motore in moto.</i></p> <p>Attention! Ne jamais toucher ni poulies ni courroies en mouvement, elles peuvent provoquer des accidents aux personnes. Ne pas faire l'entretien quand le moteur est en marche.</p> <p><i>Vorsicht! Nie laufende Riemenscheiben oder Treibriemen anfassen, da es gefährlich ist. Nie bei laufendem Motor Instandhaltung machen.</i></p> <p>¡Atención! No tocar jamás poleas o correas en movimiento, porque pueden crear graves daños a la persona. No efectuar el mantenimiento con el motor en marcha.</p> <p><i>Atenção! Nunca toque nas polias ou correias em movimento devido ao alto risco de ferimentos. Nunca faça a manutenção da máquina com o motor ligado.</i></p>
 	<p>A burst which separates the tyre from the rim parts can cause serious injury or death.</p> <p><i>La separazione fra pneumatico e cerchione, causata dall'esplosione del pneumatico, può provocare serie ferite o addirittura la morte.</i></p> <p>La séparation entre le pneu et la jante, provoquée par l'explosion d'une roue peut causer des dommages, blessures ou la mort.</p> <p><i>Die Trennung der Räder von den Felgen durch Explosion kann schwere Verletzungen oder den Tod verursachen.</i></p> <p>La separación entre el neumático y la llanta producida por la explosión del neumático puede provocar graves herida e incluso la muerte.</p> <p><i>A separação entre o pneumático e o aro, provocada pela explosão do pneumático, pode causar graves ferimentos ou até mesmo a morte.</i></p>
 	<p>Prevent battery explosions: keep sparks, lighted matches and open flames away from the top of the battery. Battery gas can explode.</p> <p><i>Per prevenire l'esplosione della batteria, tenete scintille, fiammiferi accesi e fiamme lontani dalla stessa. Il gas della batteria può esplodere.</i></p> <p>Prévenir l'explosion de la batterie: tenir les étincelles, les allumettes et le feu loin de la batterie. Le gaz de la batterie peut exploser.</p> <p><i>Vorbeugung der Batterie-Explosion. Entfernen Sie Funken, Zündhölzer und Flammen von der Batterie. Das Batteriegas kann explodieren.</i></p> <p>Para prevenir la explosión de la batería, mantener chispas, cerillas encendidas y llamas lejos de la misma. El gas de la batería puede explotar.</p> <p><i>Para prevenir explosão da bateria ter centelhas, fósforos acendido e chamas longe da mesma. O gás da bateria poderia explodir.</i></p>
 	<p>Handle fuel with care, it is highly flammable: Do not refuel machine while smoking, when machine is near an open flame or sparks, or when the engine is running. Stop the engine.</p> <p><i>Maneggiare il carburante con cura, è altamente infiammabile; non fate rifornimento mentre fumate, o vicino a fiamme o scintille, o quando il motore è acceso.</i></p> <p>Manier avec soin le carburant car c'est très inflammable. Ne pas remplir le réservoir si vous êtes en train de fumer ou pendant que la machine est près du feu ou d'étincelles ou encore pendant que la machine travaille. Arrêter le moteur.</p> <p><i>Treibstoff vorsichtig handhaben, da er sehr entzündbar ist: beim Tanken nicht rauchen. Nicht tanken, wenn die Maschine in der Nähe von Flammen oder Funken ist oder wenn der Motor läuft. Immer den Motor abschalten.</i></p> <p>Manejar el combustible con cuidado porque es sumamente inflamable; no repostar mientras se fuma o cerca de llamas o chispas, o cuando el motor está encendido.</p> <p><i>Manuseie o carburante com cuidado, pois este é altamente inflamável; não fume durante o abastecimento da máquina ou enquanto o motor estiver ligado, não o aproximado de chama ou de faíscas.</i></p>

	<p>WARNING! SHARP PARTS. Keep hands and feet away. Do not operate the mower over gravel or foreign bodies which may be sucked up and ejected by the blades, generating a danger. Keep people away. Remove the key and read the instruction manual before attempting to carry out any maintenance or repairs to the machine.</p> <p>ATTENZIONE! ORGANO TAGLIENTE. Tenere lontano mani e piedi. Non lavorare col rasaerba sopra alla ghiaia o corpi estranei che possono essere aspirati e centrifugati dalle lame risultando molto pericolosi, tenere lontano le persone. Togliere la chiave e leggere le istruzioni prima di effettuare qualsiasi operazione di manutenzione e riparazione.</p> <p>ATTENTION! ORGANE TRANCHANT. Eloigner les mains et les pieds. Ne pas utiliser la tondeuse sur le gravier ou sur des corps qui peuvent être aspirés et centrifugés par les lames et devenir très dangereux. Les personnes doivent se trouver à une certaine distance. Enlever la clé et lire les instructions avant toute opération de maintenance et de réparation.</p> <p>ACHTUNG! SCHARFE KLINGEN. Hände und Füße fernhalten. Beim Mähen nicht über Schotter, Steine oder andere Fremdkörper fahren, da diese durch die Drehbewegung der Messer angesaugt und weggeschleudert werden können (Verletzungsgefahr). Nicht in der Nähe von anderen Personen mähen. Vor jedem Wartungs- bzw. Reparatureingriff den Startschlüssel abziehen und die Gebrauchsanleitung durchlesen.</p> <p>¡PELIGRO! ORGANO CORTANTE. Mantener alejados los pies y las manos. No limpiar la herramienta con el motor en marcha. ¡Peligro! Expulsión de objetos: mantener alejadas a las personas. Atención: quitar la llave y leer las instrucciones antes de efectuar cualquier operación de mantenimiento o reparación.</p> <p>ATENÇÃO! Órgão cortante. Ficar longe com pés e mãos. Não trabalhar com a máquina sobre cascalho ou objetos que podem ser aspirados e centrifugados gerando perigo, manter-se longe das pessoas.</p> <p>Tirar a chave de ignição e ler as instruções antes de efetuar qualquer operação de reparo ou serviço.</p>
	<p>Warning! Cutting edges, keep your hands and feet away. Do not clean the attachment when the engine is running.</p> <p>Attenzione! Organo tagliente, tenere lontano piedi e mani. Non pulire l'attrezzo col motore in moto.</p> <p>Attention! Organe tranchant, ne pas approcher main et pieds. Ne pas nettoyer le moteur quand le moteur est en marche.</p> <p>Achtung! Schneidende Klinge, Hände und Füße fernhalten. Niemals bei laufendem Motor reinigen.</p>
	<p>DANGER! READ THE INSTRUCTION MANUAL. KEEP SAFETY DISTANCES.</p> <p>PERICOLO! LEGGERE IL MANUALE D'ISTRUZIONE. TENERE LONTANO LE PERSONE.</p> <p>DANGER! LIRE LE MANUEL D'INSTRUCTIONS. RESPECTER LES DISTANCES DE SÉCURITÉ</p> <p>GEFAHR! DIE GEBRAUCHS ANLEITUNG DURCHLESEN. NICHT IN DER NÄHE VON ANDEREN PERSONEN MÄHEN.</p> <p>PELIGRO! LEER LAS INSTRUCCIONES. MANTENER ALEJADAS LAS PERSONAS.</p> <p>PERIGO! LER O MANUAL DE INSTRUÇÕES. MANTER AS PESSOAS AFASTADAS.</p>
	<p>Before using the machine, it is mandatory to put on the appropriate individual safety devices: body protection, protection gloves, security shoes, ear protection.</p> <p><i>Prima di utilizzare la macchina, è obbligatorio indossare gli appositi dispositivi di sicurezza individuali: protezione del corpo, guanti di protezione, calzature di sicurezza, protezione dell'udito.</i></p> <p>Avant d'utiliser la machine, il est obligatoire de mettre les dispositifs individuels de sécurité appropriés: protection du corps, gants de protection, chaussures de sécurité, protection de l'ouïe.</p> <p><i>Vor dem Gebrauch der Maschine ist es vorgeschrieben, die geeignete persönlichen Schutzkleidung anzuziehen: Körperschutz, Schutzhandschuhe, Sicherheitsschuhe, Gehörschutz.</i></p> <p>Antes de utilizar la máquina es obligatorio ponerse los dispositivos individuales de seguridad apropiados: protección del cuerpo, guantes de protección, calzado de seguridad, protección del oído.</p>

FD450

OUTFRONT MOWER WITH COLLECTION

Dear Customer,

Thank you for purchasing our Grillo FD450. We are confident that this machine will fully satisfy all your requirements. To use and maintain the mower at its best, we urge you to read and observe carefully the instructions given in this handbook; this will ensure the best possible results and will also safeguard your investment. Please keep this handbook in a safe place. It should accompany the machine throughout its working life.



ATTENTION! Please read carefully before starting the engine. The following warnings are important for the operator's safety!

WARNINGS

Caution is the main safeguard in preventing accidents. We urge you to read the following warnings before using the mower and before starting any work at all. Improper use of the mower and its equipment can be dangerous; to minimise risks, always observe the necessary precautions set out below:

- 1) Read the whole of this manual before using the mower for the first time.
- 2) Pay particular attention to the warnings and safety labels placed around the mower.
- 3) The mowers blades are very dangerous when rotating; **never place your hands or feet underneath the mower deck.**
- 4) Before allowing others to use the machine, make sure they are aware of the safety precautions and how to use the machine.
- 5) **Before starting work always change into suitable working clothes, gloves, boots and goggles.**
- 6) Wear special acoustic protections (ear-defenders) during work.
- 7) Before starting the machine, make sure there are no people around it; especially children.
- 8) Before operating the machine in reverse, make sure there are no people or obstacles in the way.
- 9) Check the condition of the ground before mowing. Make sure there are no stones, sticks or other objects which could be run over and become very dangerous if projected.
- 10) If any impact with a foreign object occurs, disengage the blade, turn off the engine, remove the ignition key and examine the mower; if the machine vibrates, have it repaired.
- 11) Before dismounting the mower, disengage the PTO, turn off the engine, remove the ignition key and lower the deck to its lowest position.
- 12) Always drive slowly along uneven paths.
- 13) Keep the speed down when driving down slopes.
- 14) Always turn slowly when driving downhill.
- 15) The user is always liable for any damage caused to third parties.
- 16) Deformed or damaged blades must always be replaced, never just repaired.
- 17) Always use original GRILLO spare parts and accessories.
- 18) Only work in daylight or under effective artificial lighting.
- 19) Only store fuel in suitable containers designed for the purpose.
- 20) Be very careful when working close to a road.
- 21) Lift and empty the grass catcher only when the machine is motionless and on a flat ground.
- 22) Allow the engine to cool before putting the machine away in a closed environment.

IMPROPER USE TO BE AVOIDED

- 23) Do not allow passengers to ride on the machine.
- 24) Do not allow under-age people to operate the machine: its use is prohibited to children under 16 years old.
- 25) Do not operate the machine when tired or after drinking alcohol.
- 26) Do not operate the mower near to ditches or verges which could collapse under the weight of the machine, especially when the surface is loose or wet.

- 27) Do not allow any fuel spillage and, after filling the tank, wipe away any spilt fuel before starting the engine.
- 28) **Do not tamper with any safety devices or disable them.**
- 29) Do not change the engine settings, especially the maximum number of revs.
- 30) Do not rest heavy loads on the seat, the starter safety device could become disengaged.
- 31) Never attempt any adjustment or cleaning with the engine running.
- 32) Never allow anyone to check the machine while you are seated at the controls with the engine running.
- 33) Do not move the machine without the deck, because it may turn over and be very dangerous.
- 34) Do not lift the grass-catcher when the machine is moving.
- 35) Replace a worn or damaged exhaust.

FURTHER SAFETY ADVICE

The above mentioned warnings could never be enough to avoid all risks if the operator does not use the mower correctly. For your safety we therefore give you the following advice:

36) The mower blades are very dangerous when rotating, never put your hands or feet underneath the mower deck.

- 37) Do not engage reverse gear at full power.
- 38) It is dangerous to operate the steering wheel abruptly with the engine at full power.
- 39) Fill the tank with fuel before starting the engine. Only refuel outdoors, always turn off the engine, keep away from sparks or naked flames, do not smoke! Always replace the cap on the fuel tank and those on fuel containers properly.
- 40) If the fuel tank has to be emptied, only do so outdoors.
- 41) Never mow over gravel.
- 42) If you have children, hide the ignition key after using the machine.
- 43) CAUTION: to avoid the risk of fire, keep the engine compartment, exhaust, discharge outlets, battery, tank area and fuel pipes free of grass, leaves, dirt etc...
- 44) Do not store the machine inside any building where the engine fumes can reach naked flames, sparks or bare electrical wires.
- 45) When the mower deck is raised, move slowly and for short distances only.
- 46) Remove the implements, turn off the engine and disconnect the spark plugs:
 - a) before cleaning obstructed points.
 - b) before checking or repairing the mower.
 - c) if the machine hits a foreign body (check the mower deck to see if it is damaged, make repairs before you operate again).
 - d) if unusual vibrations occur, stop and inspect the machine. Contact your nearest authorised service centre if you need help.

IDENTIFICATION AND SERVICING



IDENTIFICATION

The Grillo FD450 has an ID plate showing the serial number, located underneath the seat. Always state the serial number when ordering spare parts or asking for technical assistance

AFTER-SALES SERVICE

This handbook provides instructions for using the mower. For correct servicing, contact your local dealer.

SPARE PARTS

Original spare parts should always be used, as they are your only guarantee of safety and interchangeability. When ordering, always state the machine's serial number and the code number of the spare part required. For engine parts, follow the instructions provided in the specific manual.

GUARANTEE

This guarantee is given in compliance with current law. The dealer will give the customer a copy of the registration card of the machine, which they will print from the Grillo website.

For the engine, the guarantee of the relative manufacturer will apply.

RECOMMENDED SPARE PARTS TO BE KEPT

1 set of mower blades
1 set of belts
1 engine air filter
1 engine oil filter
1 throttle cable

HOW TO ORDER SPARE PARTS

Always state the machine's serial number and the code number of the spare part required. Contact your local Grillo service centre. For further information, our address is:

GRILLO S.p.A.
Via Cervese 1701 - 47521 CESENA (FC)
Tel. 0547.381.333 / Fax 0547.632.011
Web site: www.grillospa.it / e-mail: grillo@grillospa.it

TECHNICAL SPECIFICATIONS

ENGINE: - BRIGGS & STRATTON, **7220 Professional Series**, 18HP (@ 3300 r.p.m.), OHV, 656 cc twin-cylinder petrol version with oil pump.

STARTER: electric with 12V battery.

GEARBOX: hydrostatic transmission with differential lock.

DIFFERENTIAL LOCK: mechanical with pedal control.

SPEED: 0 – 11km/h (forward) and 0 – 6km/h (reverse) through pedal control device.

FUEL TANK: 17 litres – **RESERVE TANK:** 2,5 litres.

CUTTING DECK: frontal with 3 blades for a total width of 1190 mm and equipped with solid wheels.

CUTTING WIDTH: 1130 mm.

ELECTRIC CUTTING HEIGHT ADJUSTEMENT: from 25 to 90 mm.

CLUTCH: electromagnetic for PTO with magnetic blade brake.

DRIVING SYSTEMS: with steering wheel, forward and reverse gears engaged through pedal.

SEAT: with adjustable suspension.

GRASS-CATCHER: 450 litres with full grass catcher motorized micro-switch.

GRASS-CATCHER DISCHARGE AND DECK LIFTING HYDRAULICALLY OPERATED THROUGH AN ELECTRIC BUTTON.

DISCHARGE HEIGHT: 170 cm. **REAR EJECTION:** 45 cm.

TYRES: front: 20×10.0-8; rear: 15×6.0-6.

PARKING BRAKE: disk brake.

STEERING RADIUS: 25 cm.

HOURLY CUTTING CAPACITY: 8000 m²/h (indicative).

INCLUDED IN THE MACHINE: tow bar.

ATTACHMENTS: mulching kit.

SIZE & WEIGHT: Length: 2680 mm - Width: 1190 mm - Height: 1450 mm

Weight: 400 kg

PUTTING THE MACHINE INTO SERVICE

- 1) Check that the machine is complete and has not been damaged in transit.
- 2) Check the engine oil level, use (SAE30).
- 3) Check the tyre pressure:
 - Front wheels 20×10.0 – 8 (1 BAR)
 - Rear wheels 15×6.0 – 6 (1,2 BAR)
- 4) Check the battery voltage; it must be at least 12 Volts. Charge the battery if necessary.
IMPORTANT!!! When fitting the battery, ensure that the poles are correctly connected. Never start the engine if the battery is not connected.
- 5) Warning! In the hydrostatic transmission the level indicator is located on the side of the tank (fig.14, ref. A). Use an engine oil 20W50.

BATTERY – WARNING!

The gases released by the battery are explosive, keep it away from sparks or naked lights. Check the terminals periodically and keep them greased with Vaseline.

RUNNING-IN – WARNING!!

Change the engine oil after the first 20 working hours, use SAE30. Change the oil in the hydrostatic axle after the first 50 hours. Check that there are no oil leaks or loose screws, especially the blade fixing screws. **IMPORTANT: the central screw of the right blade has a left-hand thread.**

INSTRUCTIONS FOR USE

Before starting the engine, always check that:

- the hydrostatic transmission cooling fins are clean (fig. 18).
- the engine cooling grids are clean (fig.13, A).
- the engine oil is at the correct level: screw the cap to check the level (fig.13, B)
- the speed selection pedal is not depressed (fig.1, n.1);
- the PTO switch is OFF (fig.2 n. 3);
- the air filter is clean (fig. 6, A).
- to inspect the engine, lift the grass catcher and insert the red safety devices on the hydraulic cylinders (fig. 40, A).
- To release the safety devices, press the button (fig.39, A) and hook them on the chrome cylinder rod. The safety devices will hold their position thanks to a magnet.
- the cutting deck is clean (fig. 26).
- the grid inside the grass-catcher is clean (fig. 7, B).
- Fill the fuel tank, using a funnel fitted with a very fine mesh filter (fig. 5, n.14).
- Adjust the seat with the aid of the lever (fig.3, no.10).

STARTING THE PETROL ENGINE

Push the throttle to half-way (fig.3, n.8). If the engine is cold, activate the choke (fig.3, n.9). Turn the ignition key on the dashboard (fig. 4, n. 15). Once the engine has started, release it, deactivate the choke and wait a few minutes for the engine to warm up.

STARTING WORK

Speed up the engine by pushing the throttle half-way (fig. 3, n. 8), then engage the PTO switch (fig. 2, n.3). Adjust the cutting height using the button (fig.2 n.4). The button (fig. 5, n. 11) is used to raise the mower deck. During work the mower deck must be set in the floating position (“FLOAT”).

CAUTION: Do not engage the cutting blades with the engine running at maximum r.p.m, engage them only at half speed and outside the area to be cut.

FRONT HEADLIGHT

To switch on the headlight, put the ignition key in the second position (fig. 4, no. 15). **IMPORTANT:** Only use the headlight with the engine running to avoid battery discharge.

IMPORTANT

- 1) Adjust the forward speed in order to avoid overloading the deck when at work and always cut with the engine at maximum r.p.m..
- 2) Always keep the blades sharp. In case of wear sharpen or replace them as required.

Gently press the forward pedal (fig.1, n.1) and start work. Push the pedal to position A to travel forward and to position B to travel in reverse. If the pedal is released, the machine immediately stops. Lever (fig.3, n.7) is the parking brake; in the "P" position (fig. 2) the parking brake is engaged. When the grass-catcher is full the blades automatically disengage. The grass-catcher is equipped with an inner sensor that automatically disengages the blades when the grass-catcher is full (fig.38, A). The grass-catcher has therefore to be emptied. It can be emptied directly from the driver's seat using the buttons (fig. 5, n.12 to raise the grass-catcher and n.13 to empty the grass-catcher). The grass-catcher door opens automatically. The grid inside the grass-catcher must always be kept clean to improve grass collection and to prevent clogging (fig. 7, B). During summer and in very dusty environment it is recommended to fit the plastic protection plate (fig. 7A, A) inside the grass-catcher. This plate and the necessary screws are delivered with the machine.

CLOSING OF THE GRASS-CATCHER

The grass-catcher can be checked opening the door (fig. 8, A). The closing can be regulated (fig. 8, B). The grass-catcher door opens automatically when the operator uses the button from the driver's seat. To keep the grass catcher door open use the rod (fig. 7, A). **CAUTION:** Do not engage the blades when the grass catcher door is open.

TIPS FOR EFFICIENT USE

1. Check the ground condition before mowing. Make sure there are no stones, sticks or other foreign objects.
2. When mowing, keep the engine at full revs and adjust the speed to suit the height of the grass. Take care when you come to thick clumps of tall grass; slow down if necessary.
3. Sharpen the mower blades frequently; the cut will be better and the engine will be under less strain.
4. Engage the blades a few metres outside the area to be cut.
5. Always keep the engine at full r.p.m. when mowing; if the engine revs drop, slow down for a moment to allow the engine to recover its r.p.m.
6. For the best lawn appearance, alternate one longitudinal and one transverse cut, both at the same height.
7. If the duct tends to become clogged with grass, reduce the forward speed as it may be too high for the lawn condition. If the problem persists, probable causes are blunt blades, dented fins profile, slack belt or a clogged grass catcher grid.
8. If the grass is very long, it is best to cut in two passes, the first with the blades at the highest level, perhaps working on reduced width, and the second at the final height required.
9. Take great care when cutting close to bushes and low kerbs which might damage the edge of the back and the blades.
10. Engage the parking brake once work is finished (fig.3, n.7).

CUTTING POSITION

To adjust the cutting height, use the button (fig. 2 n.4). On rough or uneven ground, always work with the deck set at its highest cutting position in order to avoid damage to the blades. On the rear part of the mower deck three anti-scalp wheels are fitted (fig. 26, A); their height can be adjusted through the fixing holes.

BLADE ENGAGEMENT

The engagement or disengagement of the blades is effected by operating the switch (fig. 2, no. 3). When rotation is engaged the engine must be running at medium r.p.m and the machine must be outside the area to be cut. Never start the blades with the engine running at maximum rpm. The machine is fitted with an electromagnetic clutch which also stops the blades during disengagement. The blades should stop within 5 seconds from disengagement. Should this not be the case, adjust the three nuts of the electromagnetic clutch placing a 0.3 mm feeler gauge under the brake plate. **N.B. This operation must be carried out by an authorised service center only. Do not use the machine if the blades do not stop within 5 seconds after disengagement with the engine at max. rpm.**

SLOPES

If possible always travel up and down rather than across slopes. When turning, take care that the wheels on the uphill side do not meet any obstacles (stones, logs, roots, etc.) which might make you lose control of the machine. If the drive wheels tend to slip, slightly raise the mower deck using the hydraulic button or adjust the two floating springs (fig. 10, A) to put more weight on the forward wheels to gain more traction. Always assess the working conditions and take care on damp ground or wet grass since the machine might slip. When going downhill, start off slowly and try not to drive over dry or cut grass because the wheels may lose grip. Never use this machine on slopes of more than 12° (21%). If the wheels tend to slip, use the differential lock (fig.1 n.2).

HOURLY METER

The machine is fitted with an hour meter with three different functions:

- 1) It always shows the no. of hours worked, even when the key is not inserted.
- 2) It displays the no. of hours to the next engine oil change (OIL CHANGE IN...HS). The first oil change must be carried out after the first 20 working hours then every 100 working hours. The indicator "OIL CHANGE" flashes automatically when it is necessary to change the oil.
- 3) It displays the no. of hours to the next lubrication (LUBE IN...HS). Lubrication must be carried out every 40 working hours. The indicator "LUBE" flashes automatically when lubrication must be carried out.

By pushing the white button, you can choose the function to be displayed on the hour meter.

- 4) To reset the hour meter after an engine oil change or after lubrication proceed as follows: Push the button until the relative alarm flashes (OIL CHANGE IN...HS or LUBE IN...HS). Then keep the button pushed for 6 seconds until the meter stops flashing.

SAFETY DEVICES

The engine should stop whenever:

- the operator leaves the seat while the parking brake is disengaged and the PTO is engaged.
- the operator presses the forward pedal when the parking brake is engaged.

The engine will not start if:

- the blades are engaged;
- the operator is not sitting in the driving seat and the parking brake is not engaged;
- the forward pedal is not in the stop position;

MAINTENANCE AND LUBRICATION

CAUTION!

- **Disconnect the spark plugs before performing any cleaning, maintenance or repair operation. Always wear suitable clothing and working gloves.**
- **When the machine or part of it is lifted to carry out maintenance operations, always remember to use suitable fixing tools such as holders and safety locks.**
- **When carrying out maintenance operations and/or when the machine is tilted without safety locks or supports, never leave it unguarded in places where inexperienced people and children could have easy access to it.**
- **Protect the environment: carefully dispose of used oils, petrol and any other pollutant product!**
- **Effective maintenance and correct lubrication help to keep the machine fully efficient.**

ENGINE

For the lubrication intervals, follow the instructions outlined in the engine manual. For the INTEK 7220 professional series engine use SAE 30 oil (quantity 2,2 litres). Frequently check the engine oil level (fig. 13, B). Replace both the engine oil and filter (fig. 13, C) as outlined in the maintenance table. To unscrew the oil drain plug (fig. 11, A) insert a rubber pipe then unscrew the end part of the plug and let the oil drain into a container; use a counter-key to hold the fixed component of the plug. Remember to protect the belts, they must not come in contact with the oil. **The first precaution is to ensure that the engine is correctly serviced with the air filter, cooling fins and cylinder head clean and the oil at the correct level.** Check the air filter every 4 hours or even more often in very dusty environments (fig. 6, A). Check that the engine cooling intake grid is always clean (fig. 13, A).

HYDROSTATIC AXLE

Check the level when the engine is cold using the oil dipstick (fig. 14, A) and the level gauge located on the cap of the hydraulic oil tank (fig. 16, A). Frequently clean the hydraulic motor cooling fins and the fan especially in summer and every 4 hours in very dusty environments (fig.17). Replace the oil after the first 50 hours, and then every 200 hours. Use engine oil 20W50 **approx. quantity 6 litres**. To replace the oil follow the instructions below:

1. Unscrew both drain plugs (fig. 15, A – B)
2. Remove the left cover to gain access to the oil refilling cap placed on the tank (fig. 16, A).
3. Unscrew the oil filter of the hydrostatic transmission and clean it. Replace if necessary (fig. 12, A).
4. Inside the tank there is a hydraulic filter (fig. 14, B). This filter does not require any special maintenance.
5. Once the oil has been totally drained, tighten both plugs again (fig. 15, A – B).
6. Activate the by-pass lever (fig. 27, A) by pushing the lever towards the machine to let the oil drain from the main hydrostatic circuit.
7. Remove the connection on the hydrostatic transmission (fig. 18, A) and fill the hydrostatic chamber with oil (fig. 18 – HYDRO CHAMBER).
8. Remove the cap on the hydrostatic transmission (fig. 19, A) and fill the gear chamber with oil (fig. 18 – GEAR CHAMBER).
9. Tighten the cap and fit the connection, then fill the tank with oil (fig. 16, A).
10. Purge the hydrostatic transmission following the instructions below:
 - a) put the machine in a steady, safe position with the front wheels raised from the ground, make sure the by-pass valve is activated, switch the engine on, wait a few minutes then repeatedly engage the forward and the reverse gear by pressing the pedal (fig. 1, n. 1).
 - b) deactivate the by-pass valve (fig. 27, A) by pulling it and repeatedly engage the forward and reverse gear by pressing the pedal (fig. 1, n. 1).
 - c) Put the machine on the ground again and check if the machine moves forward and stops correctly: in case of poor performance, loss of traction or noises coming from the hydrostatic axle, repeat the purge (see point no. 10).
11. Check the level via the oil dipstick (fig. 14, A) and the level gauge located on the cap of the hydraulic oil tank (fig. 16, A). If necessary, add fresh oil.

IMPORTANT: this operation has to be carried out in a clean environment to prevent impurities or ground residues from entering the hydrostatic axle and causing damage. Therefore, we recommend the replacement of oil into the hydrostatic axle to be carried out only by a Grillo authorised service centre.

REAR WHEEL AXLE

Grease the rear wheel pivot pins every 20 hours (fig. 41, A).

DIFFERENTIAL LOCK

To engage the differential lock, press the pedal (fig. 1, n.2). Adjust the control cable and lever so that the differential lock can be correctly engaged and disengaged (fig. 9). When releasing the pedal, the differential lock must disengage. Do not use the differential lock when changing direction because the differential lock components could be strained.

SHARPENING THE BLADES

A blunt blade pulls at the grass, giving it an unsightly appearance. The cutting edges of both blades must therefore always be kept sharp and worn blades must be replaced. To sharpen the blades first remove the mower deck (fig. 26) then follow the instructions below:

1) Position the mower deck in its lowest cutting position.

- 2) Remove the protection guard above the deck by unscrewing both wing nuts (fig. 25).
- 3) Remove the pin (fig. 25, A).
- 4) Turn the lever anti-clockwise (fig. 25, B).
- 5) Remove the PTO belt (fig. 25, C).
- 6) Detach the wire of the electric wire (fig. 25, F).
- 7) Release the fork (fig. 31, B), pull the deck forward and set it vertical (fig. 26). It is recommended to open the grass catcher and take off the discharge chute. (fig. 32, A).

Worn blades lose their cutting efficiency and tend to become unbalanced, causing the mower to vibrate. If the unbalance persists even after sharpening, check the balance by inserting a screwdriver in the hole in the centre of the blade and hold up, grind the blade until it remains horizontal and is therefore balanced. To remove a blade, take hold of it firmly, wearing safety gloves, and undo the centre bolt (**IMPORTANT:** the right hand blade bolt has a left thread).

CAUTION!

Always replace damaged or worn-out blades; never attempt to repair them! **ALWAYS USE ORIGINAL BLADES!**

CAUTION!

In order to reassemble the cutting deck, you have to fit together the cutting deck lead (fig.23, A) with the one which is located on the machine, between the wheels, in the centre.

LUBRICATION WITH GREASE

Follow the lubrications points scheme (fig. 41A – 41B). Lubricate with grease every 40 hours the rear axle joints, pedals and the grass-catcher lifting arms.

ADJUSTING THE CUTTING DECK

A level deck is essential for a uniform cut. With the mower on a flat surface, check that the tyre pressures are correct and check the float spring tension (fig. 10, A). If a satisfactory parallel set-up cannot be achieved, adjust the register (fig. 20, A). To adjust the mowing height, place two 25 mm shims at the sides under the edge of the deck and put the deck in its lowest position using the button on the dashboard. Use the screw (fig. 24, B). Before carrying out this procedure loosen the two screws (fig. 24, A). at the rear part of the mower deck, two anti-scalp wheels are fitted (fig. 34, C). Their height can be adjusted through the three fixing holes.

DRIVE BELTS – HYDROSTATIC AXLE

These belts are self-adjusting and do not require any adjustment. Simply check the tension of the springs. To replace these belts, release both tension springs (fig. 22, A – B).

PTO BELT

Caution: This belt is special, only use original belts. To replace the PTO belt, follow the instructions below:

- 1) Remove the protection guard above the deck by unscrewing the two screws (fig. 25).
- 2) Remove the pin (fig. 25, A)
- 3) Turn the lever anti-clockwise (fig.25, B)
- 4) Remove the PTO belt (fig. 25, C)
- 5) When refitting the belt, make sure the belt guide is located inside the two sides of the belt (fig. 37, A).

The PTO belt does not need to be regulated because it is self-adjusting.

DECK BELT

This belt is a double A section and allows the blades to counter-rotate. The belt tension is self-adjusting thanks to the spring (fig. 34, A). The spring must have 130 mm length (coils length). To replace the cutting deck belt follow the instructions below:

1. Set the mower deck at its lowest position.
2. Remove the plastic cover placed over the mower deck by unscrewing both wing nuts.
3. Remove the pin (fig. 25, A)
4. Turn the lever anti-clockwise (fig. 25, B)
5. Remove the PTO belt (fig. 25, C)
6. Detach the wire of the electric wire (fig. 25, F)
7. Release the fork (fig. 31, B) and pull the deck forward. It is recommended to open the grass catcher and remove the load chute (fig. 32, A).
8. Remove the pulley by unscrewing the central screw (fig. 25, E).
9. Remove the cutting deck protection frame loosening the screws (fig. 31, C).
10. Unhook the spring (fig. 34, A);
11. Remove the belt and fit a new one (fig. 34, B), following the diagram.

USE ORIGINAL BELTS ONLY!

HYDRAULIC PUMP BELT

The hydraulic pump belt is self-adjusting (fig. 21). To replace this belt, unhook the spring (fig. 21, A) and unscrew the two screws fixing the pump support plate (fig. 21, B).

MAINTENANCE SUMMARY TABLE						
PROCEDURE		EVERY 8 HOURS	AFTER 20 HOURS	EVERY 50 HOURS	EVERY 100 HOURS	EVERY 200 HOURS
Engine oil	check the level	•				
	change		•		•	
Air filter	check	•				
	replace				*	
Hydrostatic axle oil	check the level		•	•		
	replace			(first change) •		•
Spark plug	check/adjust				•	
	replace					•
Check that the engine cooling grid is clean		•				
Check that the hydraulic engine cooling fins are clean		•				
Check that blades are well-sharpened and well-fixed		•				
Lubricate with grease			•	•		

- recommended procedure
- * **procedure to be carried out if necessary**

TROUBLESHOOTING-GUIDE

CAUSE	PROBLEM	REMEDY
-------	---------	--------

With the key in the ON position, the instrument panel remains off

- | | |
|---|---|
| <ul style="list-style-type: none"> – Battery not supplying any power | <ul style="list-style-type: none"> – Check the connecting cables – Charge the battery – Replace the fuse |
|---|---|

The instrument panel comes on, but with the key in the ON position, the starter motor does not turn

- | | |
|--|--|
| <ul style="list-style-type: none"> – Battery not supplying enough power – Start-up not enabled | <ul style="list-style-type: none"> – Charge the battery – Travel pedal in STOP position – Disengage the blades – Sit in the driving seat |
|--|--|

Engine difficult to start or runs unevenly

- | | |
|--|---|
| <ul style="list-style-type: none"> – Carburettor problems | <ul style="list-style-type: none"> – Clean or replace the air filter – Adjust the carburettor (refer to the motor handbook) |
|--|---|

- Sediment or dirt in the fuel
 - Empty the tank and use fresh petrol
 - Check the fuel filter and replace if necessary
-

The starter motor turns but the engine will not start

- No petrol flow necessary
 - Check that the choke is on
 - Check level in fuel tank
 - Check the fuel filter and replace if necessary
 - Check that the fuel vent hole is not blocked
 - Ignition system fault properly the
 - Check that the spark plug cap is on
 - Check that the electrodes are clean and gap is correct
-

Engine revs fall during mowing

- Travel speed too high for mowing height
 - Decrease speed
 - Raise the deck a few settings
-

When the blades are engaged, the engine cuts out

- Engagement not enabled switch seat;
 - Check the blade engagement micro-switch
 - Operator must be seated in the driving seat;
-

Uneven cutting and poor collection

- Cutter deck not parallel with the ground
 - Check tyre pressures
 - Adjust the deck until parallel
 - Blades not cutting properly
 - Check that blades are fitted correctly
 - Sharpen or replace blades
 - Adjust the tension of the PTO belt
 - Travel speed too high for mowing height and lawn condition
 - If possible cut grass with lawn dry
 - Reduce travel speed
-

Vibration while working

- Blades not balanced
 - Balance the blades or replace if damaged
 - Loose screws and frame fixings
 - Check and tighten the blade, engine and fixing screws
-

COLLISION WITH A STONE OR OTHER OBSTACLE

- Stop the machine.
- Switch off the engine, remove the mower deck, raise it and check that the blades have not been damaged. Replace them if necessary (fig. 26).

IMPORTANT

To move the machine with the engine off, activate the by-pass valve using the lever (fig. 27, A).

MECHANICAL PARKING BRAKE

Always keep the cable (fig. 28B, A) properly adjusted, so that the parking brake is engaged setting the lever (fig. 3, n. 7) into the parking position (symbol "P"). The parking brake is disengaged by setting the lever again. When the parking brake is engaged and the PTO is disengaged, it is possible to temporarily leave the driving seat whilst the engine keeps on running. Caution: never leave the machine unattended while engine is running.

ADJUSTMENT OF THE NEUTRAL/IDLE POSITION

Gently press the forward pedal (fig. 1, n. 1): pressing the pedal in the A position the machine moves forward, pressing the pedal in the B position the machine moves backwards. When releasing the pedal the machine stops. If the machine does not stop completely when releasing the pedal, the neutral position can be adjusted through the adjuster (fig. 46). This adjustment has to be carried out with the engine running, the machine in a steady, safe position and the front wheels raised from the ground. Remove the cover of the steering column, then loosen both screws (fig. 46, A) and adjust the lock bracket of the forward spring (fig. 46, B) so that the wheels stop completely. Once the adjustment is completed, tighten both screws again (**this procedure has to be carried out by an authorised Grillo service centre only**).

IMPORTANT: this adjustment has to be carried out gradually, performing slight adjustment at a time. By increasing the stroke of the lever on the hydrostatic transmission through the rod connected to the pedal, the wheels have more traction and go faster (**this procedure has to be carried out by an authorised Grillo service centre only**).

GRASS-CATCHER

The hydraulic cylinders for lifting and tipping of the grass-catcher can be adjusted. Pay attention not to force the cylinders against the stroke buffers. The parallelogram rod is provided with left and right-hand threads. These can be adjusted to make the grass-catcher perfectly fit the discharge chute (fig.40, B). The two brackets that fix the discharge chute can be adjusted too (fig. 32, B). This operation must be carried out when the grass-catcher is closed. The tipping hydraulic cylinder can be adjusted so that the grass-catcher leans against the front stroke buffers. Pay attention not to force the cylinders against the stroke buffers: the cylinder must just touch the buffers.

REAR AXLE

Lubricate with grease all the joints. Should signs of an abnormal wear of the wheels appear, use a leveller bar to align the rear wheels with the front wheels. Use the nut (fig. 33, C).

ELECTRO-HYDRAULIC DISTRIBUTOR

The electro-hydraulic distributor (fig. 13, E) is made up of 3 components held together thanks to four rods and nuts whose tightening torque is 5 N/m. If this value is not respected, the electro-hydraulic distributor does not work.

ELECTRICS

The electrical system is protected by two fuses. The 16A fuse (fig. 2, n. 6) is located on the dashboard and protect all the functions of the machine: if tripped, the engine only can be started. The other 25A fuse is located near to the electro-hydraulic distributor and protects the whole electric wiring. If tripped, this fuse stops all the electric functions of the machine (fig. 29, A). **After identifying and repairing the fault, replace the blown fuse with another of the same rating. Never replace a fuse with one of different rating.** If the problems persist after the above procedures have been carried out, contact an authorised service centre. Never attempt to carry out complex repairs if you do not have the necessary equipment and technical skills. If the engine or the battery are out of order, the grass-catcher can be opened manually: insert the key and sit on the driver's seat. In this way the hydraulic valve is relieved. Push the button to open the grass-catcher (fig. 5, n. 13) and open the grass-catcher manually. The battery is located under the grass-catcher in the rear part of the machine (fig. 33, A). If it is out of order, the battery can be removed and recharged.

FUNCTIONS OF THE MAIN ELECTRICAL COMPONENTS

- A safety sensor detects if the grass-catcher is in its working position (fig. 13, F). Otherwise the blades will not engage.
- On the forward pedal there is a micro-switch that allows to start the machine only if the pedal is in neutral/idle position (fig. 30).
- A micro-switch is located on the parking brake (fig. 28A, A) that detects when the brake is engaged and allows the engine to stay on even if the operator is not seated. This micro-switch also switches off the engine if the forward pedal is pressed when the parking brake is engaged.
- On the electromagnetic clutch (fig. 12, B) there is a diode preventing back current.
- A sensor is located in the grass-catcher disengaging the blades when the grass-catcher is full (fig. 38, A).
- Inside the steering column there are an electronic control unit (fig. 36) that controls all the electric functions of the machine (e.g. PTO, safety micro-switches...) and a relays that controls the electric buttons (fig. 35, A).

FINISHING WORK

When you finish mowing, disengage the blades. To stop the machine, release the forward pedal (fig. 1 n. 1), set the throttle lever to the minimum and turn off the engine by turning the key into STOP position (fig. 4, n. 15). Engage the parking brake (fig. 3, n. 7) by pulling the lever into the "P" parking position.

CLEANING

Internal cutting deck washing: this operation must be done on a solid floor. You have to connect a water pipe to the proper joint (fig.31, A) and let the water flow for a few minutes:

- the driver must be seated in the driver's seat.
- the engine must be running;
- the gearbox must be in neutral gear;
- the blades must be engaged.

During this procedure, the cutting deck must be set in its lowest position.

Never use a high-pressure power jet to wash out the engine compartment: use compressed air or a vacuum cleaner only.

DISCHARGE CHUTE

To remove the chute (fig. 32, A) first open the grass-catcher, lift both red safety locks (fig. 32, C) and remove the chute by pulling it to the top.

TOW BAR

It can be used to connect a garden trailer or a small roller for sports grounds (fig. 33, B). Max. towable weight: 130 kg on flat ground. Use the machine at low speed and always pay maximum attention.

OPTIONAL MULCH KIT

Assembly Instructions

- Remove and keep the two existing blades.

Caution: the right blade bolt has a left-hand thread.

- Fix the two mulching blades (fig. 43, A - B) using the same nuts, bolts and spacers provided with the mulching kit (fig. 44, D).
- Set the black mulching plate (fig. 43, C) on the mower's deck discharge chute. It must completely fit to the end of the discharge chute and must be well aligned with the blade's rotation axis.
- Fix the black mulching plate on the upper part of the mower deck using the appropriate bracket (fig. 45, E) the rod (fig. 45, F) and the other delivered fixing elements (washer and nut).

HOW TO MULCH: TIPS AND GUIDELINES

- Always try to mow dry grass wherever it's possible to get a perfect mulching.
- If wet grass is mown, raise the cutting deck to maximise air flow through the deck.
- Periodically re-mow areas that have already been cut to spread cut grass evenly over the lawn.
- When mowing is finished, continue back over the cut lawn to ensure that all grass is discharged from inside the mower deck.

- **IMPORTANT: always remember to use the one-third rule.** Never cut more than one-third of the total length of the grass at a time.
- Mulching can sometimes require making two cuts.
- Decrease the speed over the ground to avoid putting too much strain on the mower deck and always cut with blades at full speed.
- The blades must always be well-sharpened. Replace blades that can no longer be sharpened.

LONG PERIODS OF STORAGE

The machine should be stored in a dry place protected from the weather; cover it with a sheet of canvas if possible. If it is to be out of use for more than 1 month, disconnect the negative battery lead and follow the instructions in the engine handbook; also lubricate all the joints. Check the battery voltage periodically, ensuring that it does not drop below 12 Volts. If this occurs, charge the battery. If the machine is to be out of use for more than 30 days (models with petrol engine), drain the fuel from the engine to prevent sticky deposits from forming in the fuel intake system or in vital parts of carburettor. To avoid this procedure, it is possible to save fuel in storage up to 12 months by using an appropriate fuel stabilizer. Add such additive to the fuel in the tank or in the fuel container. Run the engine for a while to let the stabilizer get into the fuel system. **Important:** if the engine is fed with petrol containing alcohol, drain the fuel tank and run the engine until there is no fuel left.

TRANSPORTING THE MACHINE

If the machine has to be transported on a lorry or a trailer, engage the parking brake and fasten it to the vehicle using correctly rated straps or cables. To lift the machine, fix the straps or cables to the points indicated by the arrows (fig. 42). Check that crane, straps, and pulleys are sufficient. strong and stable to lift the machine. The machine's total weight is 400 Kg.

FD450

RASAERBA FRONTALE CON RACCOLTA

Gentile Cliente,

nel ringraziarla per la fiducia e la preferenza accordata al nostro Grillo FD450 confidiamo che l'uso di questa sua nuova macchina risponda pienamente alle sue esigenze.

Per l'impiego ottimale e per la sua manutenzione nel tempo, la preghiamo di leggere attentamente e seguire scrupolosamente le indicazioni di questo libretto; ciò le consentirà di ottenere i massimi risultati e salvaguardare la sua spesa. La preghiamo di conservare questo libretto, che dovrà sempre accompagnare la macchina.

DESCRIZIONE GENERALE E USO PREVISTO

La macchina Grillo FD 450 è un tosaerba con operatore a bordo, progettato per il taglio e la raccolta dell'erba e per la raccolta di fogliame.

		ATTENZIONE! Leggere attentamente prima di avviare il motore. Le seguenti avvertenze sono importanti per l'incolumità dell'operatore!
--	--	---

AVVERTENZE

La prudenza è l'arma principale nella prevenzione degli incidenti!

La preghiamo vivamente di leggere con attenzione le seguenti avvertenze nell'uso del rasaerba, prima ancora di iniziare il lavoro.

L'uso improprio del rasaerba e del suo equipaggiamento può risultare pericoloso. Per ridurre queste possibilità osservare le precauzioni necessarie di seguito riportate:

- 1) Leggere interamente questo manuale prima di accendere e mettere in movimento il rasaerba.
- 2) Prestare particolare attenzione alle ammonizioni e alle etichette di sicurezza attorno al rasaerba.
- 3) La rotazione delle lame del rasaerba è molto pericolosa, non mettere mai le mani o i piedi sotto al piatto rasaerba.
- 4) Prima di fare lavorare con la macchina altre persone bisogna metterle al corrente delle norme di sicurezza e di come si usa.
- 5) Prima di iniziare il lavoro, indossare indumenti appropriati da lavoro, guanti, scarponi, occhiali.
- 6) Durante il lavoro indossare adeguati mezzi di protezione acustica (cuffie).
- 7) Prima di accendere la macchina verificare che non ci siano persone intorno; specialmente bambini.
- 8) Prima di fare marcia indietro con la macchina controllare che non ci siano persone o ostacoli.
- 9) Controllare il terreno prima di procedere alla rasatura, che non vi siano sassi, bastoni o corpi estranei, perché potrebbero essere scagliati lontano e risultare quindi molto pericolosi.
- 10) Se si urta un corpo estraneo disinnestare la lama, fermare il motore, togliere la chiave di avviamento e ispezionare il rasaerba; se la macchina vibra, farla riparare.
- 11) Prima di scendere dal rasaerba, disinserire la PTO, spegnere il motore, rimuovere la chiave d'avviamento e abbassare il piatto tosaerba nella posizione più bassa.
- 12) Sui viali sconnessi viaggiare a bassa velocità.
- 13) Sulle pendenze, in discesa, moderare la velocità.
- 14) In discesa, curvare sempre lentamente.
- 15) L'utilizzatore è sempre responsabile dei danni arrecati a terzi.
- 16) I coltelli deformati o danneggiati devono essere sempre sostituiti, mai riparati.
- 17) Usare sempre ricambi ed accessori originali GRILLO.
- 18) Lavorare solo con la luce del sole o con buona luce artificiale.
- 19) Immagazzinare il carburante in contenitori specificatamente costruiti per questo scopo.
- 20) Fare attenzione quando si lavora vicino ad una strada.
- 21) Sollevare e svuotare il cesto solo a macchina ferma e su terreno pianeggiante.
- 22) Far raffreddare il motore prima di riporre la macchina in locali chiusi.

USI IMPROPRI DA EVITARE

- 23) Non permettere passeggeri sulla macchina
- 24) Non fare lavorare ragazzi troppo giovani; vietato l'uso ai minori di 16 anni.
- 25) Non utilizzare la macchina quando si è affaticati e non bere alcolici.
- 26) Non operare col rasaerba vicino a fossati o banchine che possono cedere sotto il peso della macchina, specialmente quando la superficie è sgretolata o bagnata.
- 27) Evitare fuoriuscite di combustibile; dopo aver riempito il serbatoio pulire ogni fuoriuscita sulla macchina prima di avviare il motore.
- 28) Non manomettere o disattivare i dispositivi di sicurezza.
- 29) Non cambiare le regolazioni del motore, in modo particolare il numero di giri max.
- 30) Non appoggiare pesi sul sedile: si potrebbe disattivare il dispositivo di sicurezza dell'avviamento.
- 31) Non fare nessun tipo di regolazione o pulizia col motore in moto.
- 32) Non fare controllare la macchina da nessuno mentre siete seduti alla guida col motore in moto.
- 33) Non spostare la macchina senza piatto tosaerba, si potrebbe impennare risultando molto pericolosa.
- 34) Non sollevare il cesto con la macchina in movimento.
- 35) Sostituire le marmitte usurate o danneggiate.

ULTERIORI ACCORGIMENTI PER LA SICUREZZA

Le avvertenze sopra riportate potrebbero non essere sufficienti ad evitare ogni rischio, nel caso in cui l'operatore non si attenesse all'uso appropriato della presente macchina rasaerba. Pertanto, per maggiore prudenza specifichiamo quanto segue:

- 36) La rotazione della lama rasaerba è molto pericolosa, non metter mai le mani o i piedi sotto al piatto rasaerba.
- 37) Non fare retromarcia col motore accelerato.
- 38) E' pericoloso azionare il volante di guida bruscamente, col motore a massimo regime.
- 39) Prima di avviare il motore riempire il serbatoio di carburante. Fare rifornimento di combustibile solo all'aperto, spegnere sempre il motore, stare lontano da scintille o fiamme, non fumare! Riposizionare in modo sicuro il tappo del serbatoio e dei contenitori di carburante.
- 40) Se dovete svuotare il serbatoio di carburante eseguite l'operazione all'aperto.
- 41) Non lavorare col rasaerba sopra alla ghiaia che viene aspirata e centrifugata dalla lama, risultando molto pericolosa.
- 42) In presenza di bambini nascondete sempre le chiavi di avviamento quando non usate la macchina.
- 43) **ATTENZIONE:** per ridurre il pericolo di incendio mantenere il vano motore, la marmitta, i collettori di scarico, la batteria, la zona serbatoio e conduttura carburante liberi da erba, foglie, polvere ecc...
- 44) Non immagazzinare la macchina dentro un edificio dove i vapori del carburante possono arrivare a fiamme, scintille o fili elettrici scoperti.
- 45) Con il piatto di taglio in posizione sollevata procedere con cautela e per tratti brevi.
- 46) Disinnestare la trasmissione del piatto, spegnere il motore e disinserire le candele:
 - a) Prima di pulire i punti ostruiti
 - b) Prima di controllare o riparare tosaerba.
 - c) Dopo aver urtato un corpo estraneo (ispezionare l'organo di taglio per verificare che non sia danneggiato e ripararlo prima di rimetterlo in funzione).
 - d) Se la macchina comincia a vibrare in modo anomalo, effettuare immediatamente un controllo generale per individuare la ragione che provoca questa anomalia: se necessario richiedere l'intervento di un centro assistenza autorizzato GRILLO.

IDENTIFICAZIONE E ASSISTENZA



IDENTIFICAZIONE

La macchina è fornita di una targhetta posta sul telaio con il numero di matricola. Questo numero è indispensabile per ogni richiesta di intervento tecnico e per l'ordinazione dei ricambi.

SERVIZIO ASSISTENZA

Questo manuale fornisce le indicazioni per l'uso del rasaerba. Per una corretta manutenzione interpellare il Rivenditore di Zona.

RICAMBI

Si raccomanda di impiegare esclusivamente ricambi originali, gli unici che offrono caratteristiche di sicurezza e intercambiabilità. Ogni richiesta deve essere corredata del numero di matricola della macchina e il numero di codice del pezzo da sostituire. Per i ricambi del motore, attenersi a quanto indicato nel libretto specifico.

GARANZIA

La garanzia è fornita nei modi e nei limiti indicati dalla legge vigente. Il rivenditore dovrà obbligatoriamente consegnare il certificato di garanzia della macchina al cliente finale, stampando una copia della registrazione dal sito Grillo. Per quanto riguarda il motore, valgono le condizioni previste dai rispettivi Produttori.

RICAMBI CHE SI CONSIGLIA TENERE DI SCORTA

- N. 1 serie lame
- N. 1 serie cinghie
- N. 1 filtro aria motore
- N. 1 filtro olio motore
- N. 1 filo acceleratore

COME ORDINARE I RICAMBI

Indicare sempre il numero di matricola della macchina e il codice del pezzo da sostituire. Rivolgersi ai nostri centri Grillo. Per maggiori informazioni il nostro indirizzo è:

GRILLO S.p.A.
Via Cervese 1701 - 47521 CESENA (FC)
Tel. 0547.633.111 / Fax 0547.632.011
Web site: www.grillospa.it / e-mail: grillo@grillospa.it

CARATTERISTICHE TECNICHE

MOTORE: BRIGGS & STRATTON **18 HP Professional** (16,1 kW a 3300 giri/min.) OHV 656 cc bicilindrico, 4 tempi a benzina, pompa olio.

AVVIAMENTO: elettrico con batteria 12 V.

CAMBIO: trasmissione idrostatica con bloccaggio differenziale.

BLOCCAGGIO DIFFERENZIALE: meccanico con comando a pedale.

VELOCITÀ: 0 – 11 km/h in marcia avanti e da 0 – 6 km/h in retromarcia con comando a pedale.

SERBATOIO: 17 litri – **RISERVA:** 2,5 litri.

PIATTO DI TAGLIO: frontale a 3 coltelli per una larghezza totale di 1190 mm. Provvisto di ruote piene.

LARGHEZZA DI TAGLIO: 1130 mm.

ALTEZZA DI TAGLIO A REGOLAZIONE ELETTRICA CONTINUA: da 25 mm a 90 mm.

FRIZIONE: PTO elettromagnetica con freno lame magnetico.

SISTEMA DI GUIDA: a volante con idroguida, avanzamento e retromarcia a pedale.

SEDILE REGOLABILE: con sospensione regolabile.

CESTO: 450 litri con chiusura automatica e sensore cesto pieno motorizzato.

SCARICO CESTO E SOLLEVAMENTO PIATTO IDRAULICI AZIONATI CON PULSANTI ELETTRICI.

SCARICO RIALZATO: 170 cm - **SBALZO POSTERIORE:** 45 cm.

PNEUMATICI anteriori: 20x10.00-8; **posteriori:** 15x6.00-6.

FRENO DI STAZIONAMENTO: a disco.

RAGGIO DI STERZATA: 25 cm.

CAPACITÀ ORARIA: 8000 m²/h (indicativa).

DI SERIE: gancio di traino.

ACCESSORI: kit mulching.

DIMENSIONI: **Lunghezza:** mm 2680 **Larghezza:** mm 1190 **Altezza:** mm 1450 - **PESO:** kg 400

MESSA IN OPERA DELLA MACCHINA

- 1) Controllare l'integrità della macchina e accertare che non abbia subito danni durante il trasporto.
- 2) Verificare il livello olio motore (SAE30).
- 3) Verificare la pressione degli pneumatici:
Ruote anteriori 20x10.0-8 (1 BAR) - Ruote posteriori 15x6.00-6 (1,2 BAR)
- 4) Controllare il voltaggio della batteria, non deve risultare inferiore al valore di 12 Volt. In caso fosse necessario provvedere alla ricarica. **IMPORTANTE!!!** Durante il montaggio, prestare attenzione a non invertire le polarità della batteria. Non avviare il motore se la batteria non è collegata.
- 5) Attenzione! Il livello visivo dell'olio della trasmissione idrostatica si trova a lato del serbatoio (fig.14, rif. A). Utilizzare olio motore 20W50.

BATTERIA - ATTENZIONE!

I gas sprigionati dalla batteria sono esplosivi, tenetela lontano da fiamme o scintille. Controllare periodicamente i morsetti e mantenerli lubrificati con grasso di vaselina.

RODAGGIO – ATTENZIONE!!

Sostituire l'olio motore dopo le prime 20 ore di funzionamento (SAE30). Sostituire l'olio nell'assale idrostatico dopo le prime 50 ore di lavoro. Controllare che non vi siano perdite d'olio o viti lente, in particolare quelle di fissaggio delle lame. **Attenzione!La vite centrale della lama destra è sinistra.**

ISTRUZIONI PER L'USO

Prima di avviare il motore controllare sempre:

- che le alette di raffreddamento della trasmissione idrostatica siano ben pulite (fig.18).
- che le griglie di aspirazione per il raffreddamento del motore siano pulite (fig.13, rif. A).
- che l'olio del motore sia a livello: il controllo va eseguito a tappo avvitato (fig.13, rif. B).
- di non premere il pedale preselezione velocità (fig.1, rif.1).
- che l'interruttore della presa di forza sia spento (fig.2, rif.3).
- che il filtro aria sia ben pulito (fig.6, rif. A).
- per ispezionare il motore alzare il cesto della macchina e inserire i fermi di sicurezza verniciati rossi sui martinetti idraulici (fig.40, rif. A).
- per posizionare i fermi premere il pulsante (fig.39, rif.A) e agganciarli allo stelo cromato del martinetto; Il dispositivo rimane in posizione tramite un magnete.
- che il piatto tosaerba sia ben pulito (fig.26).
- che la rete all'interno del cesto sia pulita (fig.7, rif. B).
- riempire il serbatoio di carburante servendosi di un imbuto munito di filtro molto fine (fig.5, rif. 14).
- regolare la posizione del sedile agendo sui dispositivi (fig.3 rif.10).

AVVIAMENTO DEL MOTORE A BENZINA

Spingere fino a metà corsa il manettino acceleratore (fig.3, rif.8). Se il motore è freddo azionare il comando starter (fig.3, rif.9). Ruotare la chiave di avviamento posta sul cruscotto (fig.4, rif.15); una volta avviato il motore rilasciarla, disinserire lo starter, aspettare qualche minuto per riscaldare il motore.

INIZIO DEL LAVORO

Accelerare opportunamente il motore, spingendo fino a metà corsa il manettino acceleratore (fig.3, rif.8) quindi innestare il pulsante PTO (fig.2, rif.3). Regolare l'altezza di taglio tramite il relativo pulsante (fig. 2, rif.4). Il pulsante (fig.5, rif.11) serve per il sollevamento del piatto. Durante il lavoro va mantenuto in posizione FLOAT (flottante).

ACCENSIONE DEL FARO LUCE

Per accendere il faro luce posizionare la chiave d'avviamento nella seconda posizione (fig.4, rif.15). **IMPORTANTE:** è necessario utilizzare il faro luce con motore avviato in modo da evitare la scarica della batteria.

Attenzione: Non inserire le lame con il motore a massimo regime. Il motore deve essere a metà acceleratore. Inserire le lame qualche metro prima di entrare nell'erba da tagliare e con la macchina a bassa velocità.

IMPORTANTE

- 1) Regolare la velocità di avanzamento in modo da non caricare eccessivamente il piatto durante il lavoro e tagliare con il motore a massimo regime.
- 2) Tagliare sempre con lame affilate; in caso di usura affilarle o sostituirle secondo le necessità.

Azionare dolcemente il pedale d'avanzamento (fig.1, rif.1) ed iniziare il lavoro. Spingendo il pedale sul punto (A) la macchina avanza, sul punto (B) retrocede. Abbandonando il pedale la macchina si ferma. La leva (fig.3, rif.7) è il freno di stazionamento; nella posizione (P) è inserito. Quando il cesto è pieno le lame si disinnestano automaticamente. Il cesto raccogli-erba è dotato al suo interno di un sensore mobile che a cesto pieno interrompe automaticamente la rotazione delle lame (fig.38, rif. A). Occorre quindi procedere allo svuotamento del cesto. Questa operazione si esegue dal posto guida agendo sui pulsanti (fig.5, rif.12 per il sollevamento e rif.13 per lo svuotamento). Il portellone si apre automaticamente. La griglia all'interno del cesto va mantenuta pulita per favorire una buona raccolta ed evitare intasamenti (fig.7, rif. B). In estate e in ambienti polverosi si consiglia di montare all'interno del cesto la protezione in plastica fornita in dotazione (fig.7A, rif. A) tramite le viti e le rondelle anch'esse parte del corredo della macchina.

CHIUSURA CESTO

È possibile ispezionare il cesto agendo sul gancio del coperchio (fig.8, rif. A): la chiusura è registrabile (fig.8, rif. B). L'apertura è automatica quando si utilizza il pulsante dal posto guida. Per mantenere aperto il coperchio cesto per l'ispezione inserire l'asta (fig.7, rif.A). **Attenzione:** non innestare le lame col coperchio aperto!

REGOLE UTILI PER IL BUON USO

- 1) Controllare il terreno prima di procedere alla rasatura che non vi siano sassi, bastoni o corpi estranei.
- 2) Durante la rasatura tenere il motore a massimo regime e regolare la velocità in base all'altezza dell'erba. Prestare attenzione quando si incontrano cumuli di erba alta e fitta, se necessario rallentare.
- 3) Affilare frequentemente le lame del tosaerba; il taglio sarà migliore e il motore forzerà di meno.
- 4) Innestare le lame qualche metro prima di entrare nell'erba da tagliare.
- 5) Rasare sempre con motore a massimo regime; se il motore cala di giri rallentare un attimo, in modo da far riprendere al motore il giusto regime di giri.
- 6) Un taglio longitudinale alternato ad uno trasversale, eseguito ad una altezza costante, contribuisce a migliorare l'aspetto del prato.
- 7) Se il convogliatore tende ad intasarsi d'erba, è bene ridurre la velocità di avanzamento in quanto può essere eccessiva in funzione della condizione del prato; se il problema rimane, cause probabili sono i coltelli male affilati, il profilo delle alette deformato, la cinghia lenta o la rete del cesto intasata.
- 8) Se l'erba è molto alta è opportuno eseguire il taglio in due passate; la prima con le lame all'altezza massima ed eventualmente a scia ridotta, e la seconda all'altezza desiderata.
- 9) Fare molta attenzione ai tagli in corrispondenza di cespugli e in prossimità di cordoli bassi che potrebbero danneggiare il bordo del piatto di taglio e la lama.
- 10) Terminato il lavoro, inserire il freno di stazionamento (fig.3, rif.7).

POSIZIONI DI TAGLIO

Per regolare l'altezza di taglio si agisce sull'apposito pulsante (fig.2, rif.4). In presenza di terreno accidentato, cunette o dossi, è conveniente operare con il piatto nella posizione di taglio più alta onde evitare urti da parte della lama. A tal proposito, nella parte posteriore del piatto sono presenti tre ruote anti-scalpo (fig.26, rif.A); la loro altezza dal suolo è regolabile mediante la foratura di fissaggio al piatto.

ROTAZIONE DELLE LAME

Per innestare e disinnestare la rotazione delle lame utilizzare il pulsante (fig.2, rif.3). Durante l'innesto il motore deve essere a metà regime e la macchina dev'essere al di fuori dell'erba da tagliare. Non inserire le lame con il motore a massimo regime. La macchina è dotata di frizione elettromagnetica che funziona anche da freno lama. Le lame devono arrestarsi entro 5 secondi con motore a massimo regime. Qualora ciò non avvenisse occorre registrare i tre dadi della frizione elettromagnetica inserendo sotto al piattello freno uno spessimetro da 0,3 mm. **ATTENZIONE: questa operazione dev'essere eseguita da un centro assistenza autorizzato. Non utilizzare la macchina se le lame non si arrestano entro 5 secondi dal disinnesto con motore a massimo regime.**

TERRENI IN PENDENZA

I terreni ripidi devono essere percorsi possibilmente nel senso salita/discesa, facendo molta attenzione nei cambi di direzione, che le ruote a monte non incontrino ostacoli (sassi, rami, radici, ecc.) che potrebbero causare la perdita di controllo della macchina. Se le ruote motrici tendono a slittare in salita, col comando idraulico sollevare leggermente il piatto o, eventualmente, regolare le due molle di galleggiamento (fig.10, rif. A) in modo da caricare più peso sulle ruote motrici e quindi avere più trazione. Valutare le varie situazioni e prestare attenzione in presenza di terreno umido e erba bagnata poiché la macchina potrebbe scivolare. In discesa partire a bassa velocità ed evitare di calpestare erba secca o tagliata poiché le ruote perdono aderenza. Non usare questa macchina su pendii superiori a 12° (21%). Se le ruote tendono a slittare, usare il bloccaggio differenziale (fig.1, rif.2).

CONTAORE

La macchina è dotata di uno strumento conta-ore che espleta tre funzioni:

- 1) Mostra il totale delle ore lavorate (sempre visibile sul display anche a chiave disinserita).
- 2) Mostra le ore mancanti al cambio dell'olio motore (OIL CHANGE IN...HS). Il primo cambio dell'olio motore deve avvenire dopo le prime 20 ore di lavoro, i cambi olio motore successivi devono avvenire

ogni 100 ore di lavoro. La scritta "OIL CHANGE" lampeggia automaticamente sul display quando occorre effettuare il cambio dell'olio motore.

3) Mostra le ore mancanti all'ingrassaggio (LUBE IN...HS). Gli ingrassaggi devono essere eseguiti ogni 40 ore di lavoro. "LUBE" lampeggia automaticamente sul display quando occorre ingrassare la macchina.

Premendo il pulsante bianco del contaore si possono visualizzare a scelta le funzioni sopra indicate.

4) Per resettare dopo la sostituzione dell'olio motore oppure dopo l'ingrassaggio procedere come segue: Spingere il pulsante fino a che l'allarme corrispondente lampeggi (OIL CHANGE IN...HS oppure LUBE IN...HS). Poi tenere premuto il pulsante per 6 secondi fino a che l'allarme smette di lampeggiare.

INTERVENTI DEI DISPOSITIVI DI SICUREZZA

Ricordare sempre che il motore si arresta ogni volta che:

- L'operatore si alza dal sedile con il freno di stazionamento disinserito e la PTO inserita.
- Si preme il pedale d'avanzamento con il freno di stazionamento inserito.

Inoltre il motore non si avvia se:

- Le lame sono innestate;
- Non si è seduti al posto di guida e non è inserito il freno di stazionamento;
- Il pedale avanzamento non è in posizione di stop;

MANUTENZIONE E LUBRIFICAZIONE

ATTENZIONE!

- **Scollegare le candele prima di iniziare qualsiasi intervento di pulizia, manutenzione o riparazione. Indossare indumenti adeguati e guanti da lavoro.**
- **Qualora si sollevi la macchina o parte di essa, usare sempre strumenti idonei quali supporti o fermi di sicurezza.**
- **Non lasciare la macchina in manutenzione, priva di sicurezze o sollevata, in luoghi accessibili a persone inesperte, specialmente bambini.**
- **Non disperdere mai nell'ambiente oli esausti, benzina, gasolio ed ogni altro prodotto inquinante!**
- **Un'efficiente manutenzione e una corretta lubrificazione contribuiscono a mantenere la macchina in perfetta efficienza.**

MOTORE

Per gli intervalli di lubrificazione seguire le norme contenute nel libretto del motore. Per il motore INTEK 7220 PROFESSIONAL SERIES utilizzare olio SAE30, quantità 2,2 litri. Controllare periodicamente il livello dell'olio motore (fig.13, rif. B). Sostituire l'olio motore ed il filtro (fig.13, rif. C) come indicato nella tabella di manutenzione. Per svitare il tappo di scarico dell'olio (fig.11, rif. A) inserire un tubo di gomma all'estremità quindi svitare la parte terminale e drenare l'olio in un contenitore; utilizzare una controchiave per la parte fissa del tappo. Proteggere le cinghie per evitare che entrino in contatto con l'olio.

La prima precauzione è che il motore sia correttamente manutenzionato con filtro aria, alette raffreddamento, testata pulita e l'olio motore a livello. Controllare il filtro aria ogni 4 ore o anche più frequentemente se l'ambiente è molto polveroso (fig.6, rif. A). Controllare che la rete di aspirazione del raffreddamento del motore sia sempre ben pulita (fig.13, rif. A).

ASSALE IDROSTATICO

Controllare il livello dell'olio a motore freddo tramite l'occhio visivo (fig.14, rif. A) e l'asta graduata posta sul tappo del serbatoio dell'olio idraulico (fig.16, rif. A). Pulire frequentemente le alette di raffreddamento del motore idraulico e la ventola (fig.17) in estate, ogni 4 ore di lavoro o in presenza di molta polvere. Sostituire l'olio dopo le prime 50 ore di lavoro, successivamente ogni 200 ore. Utilizzare olio motore 20W50: **quantità 6 litri**. Per la sostituzione procedere come segue:

- 1) Svitare i due tappi di drenaggio (fig.15, rif. A e B).
- 2) Rimuovere il cofano lato sinistro per accedere al tappo di inserimento olio nel serbatoio (fig.16, rif. A).
- 3) Svitare il filtro olio della trasmissione idrostatica e pulirlo; se necessario sostituirlo (fig.12, rif. A).
- 4) All'interno del serbatoio è presente un filtro idraulico (fig.14, rif. B) il quale non necessita di manutenzione particolare.
- 5) A drenaggio terminato, riavvitare i due tappi (fig.15, rif. A e B).

- 6) Azionare la valvola bypass (fig.27, rif. A) spingendo l'asta verso la macchina per permettere all'olio di drenare dal circuito idrostatico principale;
- 7) Rimuovere il raccordo sulla trasmissione idrostatica (fig.18, rif. A) e riempire d'olio la camera idraulica dell'assale (fig.18, rif. HYDRO CHAMBER).
- 8) Rimuovere il tappo sulla trasmissione idrostatica (fig.19, rif. A) e riempire d'olio la camera meccanica dell'assale (fig.18, rif. GEAR CHAMBER).
- 9) Riavvitare il tappo e ripristinare il raccordo, quindi riempire a livello il serbatoio (fig.16, rif. A).
- 10) Eseguire lo spurgo dell'assale idrostatico:
 - a) porre la macchina in sicurezza su dei cavalletti con le ruote anteriori sollevate da terra, assicurarsi che la valvola bypass sia inserita, avviare il motore, attendere qualche minuto ed eseguire alcuni cambi di marcia (avanti e indietro) agendo sul pedale preselezione velocità (fig.1, rif.1);
 - b) disinserire la valvola bypass (fig.27, rif. A) tirandola verso di sé ed eseguire alcuni cambi di marcia (avanti e indietro) agendo sul pedale preselezione velocità (fig.1, rif.1);
 - c) Riposizionare la macchina a terra e verificare l'avanzamento e l'arresto del rasaerba: in caso di prestazioni ridotte, perdite di potenza o rumorosità, ripetere lo spurgo (punto 10).
- 11) Verificare il livello dell'olio tramite l'occhio visivo (fig.14, rif. A) e l'asta graduata posta sul tappo del serbatoio dell'olio idraulico (fig.16, rif. A). Se necessario, rabboccare.

Per la sostituzione dell'olio nell'assale idrostatico è consigliabile rivolgersi a una officina autorizzata Grillo. Tale operazione va eseguita in condizioni massima pulizia per evitare che impurità o residui di terra entrino nell'assale deteriorandolo.

ASSE RUOTE POSTERIORI

Lubrificare con grasso ogni 20 ore le articolazioni e i perni snodo delle ruote posteriori (fig. 41A).

BLOCCAGGIO DIFFERENZIALE

Per l'inserimento premere il pedale (fig.1, rif.2). Registrare il cavo e l'asta di comando in modo che l'innesto e il disinnesto avvengano correttamente (fig.9). Lasciando il pedale il differenziale deve essere libero. Non utilizzare il bloccaggio in curva si provoca una forte sollecitazione ai componenti del differenziale.

AFFILATURA DELLE LAME

Una lama non affilata strappa l'erba conferendole un brutto aspetto, è necessario che l'affilatura sia sempre eseguita sui taglienti della lama. Se risulta usurata sostituirla. Per sostituire le lame è consigliabile sganciare il piatto della macchina (fig. 26). Per fare ciò, procedere come segue:

- 1) Regolare il piatto nella posizione di taglio più bassa.
- 2) Togliere la protezione in plastica sopra al piatto svitando i due dadi a farfalla (fig.25).
- 3) Togliere la coppiglia (fig.25, rif. A).
- 4) Ruotare la leva in senso antiorario (fig.25, rif. B).
- 5) Rimuovere la cinghia PTO (fig.25 rif. C).
- 6) Scollegare il cavetto dell'attuatore elettrico (fig.25, rif. F).
- 7) Sganciare la levetta (fig.31, rif. B), tirare in avanti il piatto e posizionarlo verticalmente (fig. 26). E' consigliabile preventivamente aprire il cesto e sfilare il canale di carico (fig.32, rif. A).

Le lame, usurandosi, perdono il taglio e tendono a sbilanciarsi facendo vibrare il tosaerba; se anche riaffilandole lo sbilanciamento permane, si consiglia di controllare la bilanciatura, inserendo un cacciavite nel foro centrale della lama e smerigliare fino a quando la lama stessa rimanga orizzontale, "bilanciata". Per smontare una lama afferrarla saldamente utilizzando guanti da lavoro e svitare la vite centrale (ATTENZIONE: la vite della lama destra ha filetto sinistro).

ATTENZIONE!

Sostituire sempre i coltelli danneggiati o storti; non tentare mai di ripararli! **USARE SEMPRE COLTELLI ORIGINALI!**

ATTENZIONE!

Per rimontare il piatto far combaciare la guida del piatto (fig. 23 rif. A) con quella situata sulla macchina fra le ruote, al centro.

PUNTI DI LUBRIFICAZIONE CON GRASSO

Consultare la collocazione dei punti di lubrificazione seguendo gli appositi schemi (fig. 41A e 41B). Lubrificare con grasso ogni 40 ore gli snodi dell'assale posteriore, i pedali, i bracci del sollevatore del

cesto ecc.

REGOLAZIONE PIATTO DI TAGLIO

Una buona planarità del piatto è essenziale per ottenere un prato uniformemente rasato. Posto il rasaerba su una superficie piana, verificare la corretta pressione degli pneumatici, controllare la tensione delle molle di galleggiamento (fig. 10, rif. A). Nel caso non si riesca ad ottenere un buon parallelismo, agire sul registro (fig. 20, rif. A). Per regolare l'altezza di taglio occorre inserire 2 spessori da 25 mm ai lati sotto al bordo del piatto e mettere l'attuatore nella posizione più bassa agendo sul pulsante nel cruscotto. La regolazione si effettua agendo sulla vite (fig.24, rif. B). Allentare preventivamente le due viti (fig.24, rif. A). Nella parte posteriore del piatto sono presenti due ruote antiscalpo (fig.34, rif. C); la loro altezza dal suolo è regolabile mediante i tre fori di fissaggio al piatto.

CINGHIE MOTORE - ASSALE IDROSTATICO

Sono auto-regolanti, non hanno bisogno di nessuna regolazione. E' quindi sufficiente controllare la tensione delle molle. Per la sostituzione occorre sganciare la molla di tensione (fig.22, rif. A e B).

CINGHIA PTO

Attenzione! Questa cinghia è speciale, utilizzare cinghie originali. Per la sostituzione procedere nel seguente modo:

- 1) Togliere la protezione sopra al piatto svitando le due viti (fig.25).
- 2) Togliere la coppiglia (fig. 25, rif. A).
- 3) Ruotare la leva in senso antiorario (fig.25, rif. B).
- 4) Rimuovere la cinghia PTO (fig.25, rif. C).
- 5) Quando si rimonta la cinghia, l'arco di guida (fig. 37, rif. A) deve passare all'interno dei due rami della cinghia.

La cinghia PTO non ha bisogno di essere regolata poiché è auto-regolante.

CINGHIA PIATTO

Questa cinghia è speciale a doppio profilo A-A per permettere la contro-rotazione delle lame. La tensione della cinghia è autoregolata dalla molla (fig.34, rif. A). La molla deve misurare 130 mm (lunghezza spire). Per la sostituzione, procedere come segue:

- 1) Regolare il piatto nella posizione di taglio più bassa.
- 2) Togliere la protezione in plastica sopra al piatto svitando i due dadi a farfalla.
- 3) Togliere la coppiglia (fig.25, rif. A).
- 4) Ruotare la leva in senso antiorario (fig.25, rif. B).
- 5) Rimuovere la cinghia PTO (fig.25, rif. C).
- 6) Scollegare il cavetto dell'attuatore elettrico (fig.25, rif. F).
- 7) Sganciare la levetta (fig.31, rif. B), tirare in avanti il piatto. E' consigliabile preventivamente aprire il cesto e sfilare il canale di carico (fig.32, rif. A).
- 8) Togliere la puleggia svitando la vite centrale (fig.25, rif. E).
- 9) Togliere il carter di protezione del piatto svitando le viti sul bordo (fig.31, rif. C).
- 10) Sganciare la molla (fig.34, rif. A).
- 11) Togliere e ripristinare la cinghia (fig.34, rif. B) secondo lo schema.

USARE SOLO CINGHIE ORIGINALI!

CINGHIA POMPA IDRAULICA

La cinghia che aziona la pompa idraulica è auto-regolante (fig.21). Per l'eventuale sostituzione occorre sganciare la molla (fig. 21, rif. A) e svitare le due viti che fissano la piastra supporto pompa (fig.21, rif. B).

TABELLA RIASSUNTIVA MANUTENZIONE

OPERAZIONE		OGNI 8 ORE	PRIME 20 ORE	OGNI 50 ORE	OGNI 100 ORE	OGNI ANNO O 200 ORE
Olio motore	Controllare il livello	•				
	Cambiare		•		•	
Filtro aria	Controllare	•				
	Sostituire				*	
Candela	Controllare/registrare				•	
	Sostituire					•
Olio assale idrostatico	Controllare il livello		•	•		
	Cambiare			(primo cambio) •		•
Controllare che la griglia aspirazione motore sia ben pulita		•				
Controllare che le alette del motore idraulico siano ben pulite		•				
Controllare affilatura e fissaggio lame		•				
Lubrificare con grasso			•	•		

• operazione raccomandata

* operazione da eseguire se necessario

GUIDA ALLA RISOLUZIONE DEGLI INCONVENIENTI**INCONVENIENTE****CAUSA****RIMEDIO**

Con la chiave in posizione AVV il cruscotto rimane spento

- | | |
|---|--|
| <ul style="list-style-type: none"> – La batteria non eroga corrente alcuna | <ul style="list-style-type: none"> – Controllare i cavi di collegamento – Ricaricare la batteria – Sostituire il fusibile |
|---|--|

Il cruscotto si accende, ma con la chiave in posizione AVV il motorino di avviamento non gira

- | | |
|--|---|
| <ul style="list-style-type: none"> – La batteria non eroga corrente sufficiente – Manca il consenso all'avviamento | <ul style="list-style-type: none"> – Ricaricare la batteria – Pedale avanzamento in posizione STOP – Disinserire le lame – Sedersi al posto guida |
|--|---|

Avviamento difficoltoso o funzionamento irregolare del motore

- | | |
|--|---|
| <ul style="list-style-type: none"> – Problemi di carburazione – Regolare il carburatore (attenersi al libretto motore) – Depositi o impurità nel carburante | <ul style="list-style-type: none"> – Pulire o sostituire il filtro dell'aria – Svuotare il serbatoio ed impiegare benzina fresca – Controllare ed eventualmente sostituire il filtro benzina |
|--|---|

Il motorino gira ma il motore non si avvia

- | | |
|--|--|
| <ul style="list-style-type: none"> – Mancanza del flusso di benzina
 – Insufficienza nell’impianto d’accensione | <ul style="list-style-type: none"> – Controllare che lo starter sia azionato – Verificare livello nel serbatoio – Controllare (ed eventualmente sostituire) il filtro benzina – Controllare che il foro di sfiato sul tappo del serbatoio non sia otturato
 – Controllare il fissaggio del cappuccio delle candele – Verificare la pulizia e la corretta distanza fra gli elettrodi |
|--|--|

Calo di rendimento del motore durante il taglio

- | | |
|---|---|
| <ul style="list-style-type: none"> – Velocità di avanzamento elevata in rapporto all’altezza di taglio | <ul style="list-style-type: none"> – Diminuire la velocità – Regolare il piatto di taglio in una posizione più alta |
|---|---|

Inserendo le lame, il motore si spegne

- | | |
|--|--|
| <ul style="list-style-type: none"> – Manca il consenso all’inserimento lame | <ul style="list-style-type: none"> – Controllare il microinterruttore cesto pieno
 – Operatore seduto al posto guida – Controllare il sensore cesto chiuso |
|--|--|

Taglio irregolare e raccolta insufficiente

- | | |
|--|---|
| <ul style="list-style-type: none"> – Piatto di taglio non parallelo al terreno
 – Inefficienza delle lame
 – Velocità di avanzamento elevata in rapporto all’altezza di taglio ed alle condizioni del prato | <ul style="list-style-type: none"> – Controllare la pressione degli pneumatici – Ripristinare il parallelismo del piatto
 – Controllare il corretto montaggio delle lame – Affilare o sostituire le lame
 – Tagliare l’erba con il prato possibilmente asciutto – Ridurre la velocità di avanzamento – Pulire la griglia all’interno del cesto |
|--|---|

Vibrazioni durante il funzionamento

- | | |
|--|---|
| <ul style="list-style-type: none"> – Lame squilibrate
 – Fissaggi allentati e delle viti di fissaggio del motore e del telaio | <ul style="list-style-type: none"> – Equilibrare o sostituire le lame se danneggiate
 – Verificare e serrare le viti di fissaggio delle lame |
|--|---|

COSA FARE SE SI URTA UNA PIETRA O UN ALTRO CORPO ESTRANEO

- Fermare la macchina.
- Spegnere il motore, sganciare il piatto di taglio, sollevarlo e controllare che le lame non siano deformate, eventualmente sostituirle (fig. 26).

IMPORTANTE

Per spostare la macchina a motore spento azionare la valvola bypass, agendo sulla levetta (fig.27, rif. A)

FRENO DI STAZIONAMENTO MECCANICO

Per questo dispositivo occorre mantenere registrato il cavo (fig.28B, rif. A) in modo tale che il freno di stazionamento si azioni tirando la levetta (fig.3, rif.7) in posizione di parcheggio, in corrispondenza del simbolo "P". Il dispositivo si disinserisce riportando la levetta in avanti, in posizione di disinnesto. Quando il freno di stazionamento è inserito e la PTO è disinserita, è possibile abbandonare il posto guida senza che il motore si spenga. Attenzione! non abbandonare la macchina in sosta con il motore acceso.

REGOLAZIONE DELLA POSIZIONE DI FOLLE

Azionare dolcemente il pedale di avanzamento (fig.1, rif.1): spingendo il pedale sul punto (A) la macchina avanza, sul punto (B) retrocede; abbandonando il pedale la macchina si ferma. Qualora la macchina non dovesse arrestare completamente la propria marcia è possibile regolare la posizione di folle agendo sull'apposito registro (fig.46). La regolazione della posizione di folle è da svolgersi a motore acceso e con la macchina posta in sicurezza su dei cavalletti, con le ruote anteriori sollevate da terra. Rimuovere il cofano della colonnetta di sterzo quindi allentare le due viti (fig.46, rif. A) e regolare la staffa di fermo della molla di avanzamento (fig.46, rif. B) in modo tale da ottenere il completo arresto delle ruote; serrare nuovamente le due viti al termine della regolazione (**tali operazioni vanno però eseguite da una officina specializzata Grillo**).

Attenzione: procedere gradualmente alla regolazione, apportando leggere correzioni per volta.

Aumentando la corsa della leva sulla trasmissione idrostatica tramite l'asta collegata al pedale si aumenta la potenza alle ruote (**tali operazioni vanno però eseguite da una officina specializzata Grillo**).

CESTO DI RACCOLTA

I cilindri idraulici che sollevano e ribaltano il cesto sono registrabili, prestare la massima attenzione a non forzare il cesto contro i tamponi di fine corsa. Il tirante parallelogramma (fig.40, rif. B), che presenta filettature dx e sx, può essere regolato affinché il cesto chiuso combaci bene al canale di carico (fig.32, rif. A); si possono registrare anche le due staffe che sorreggono il canale di carico (fig.32, rif. B). Questa operazione è da effettuarsi con il cesto chiuso. Il cilindro idraulico che ribalta il cesto si può registrare per far appoggiare il cesto ai tamponi anteriori. Attenzione! Non forzare il cesto sui tamponi, deve semplicemente appoggiarsi.

ASSALE POSTERIORE

Lubrificare con grasso i vari snodi. Qualora si notasse un'usura anomala degli pneumatici, allineare le ruote posteriori con quelle anteriori utilizzando una barra rettilinea e agendo sui dadi (fig. 33, rif. C).

DISTRIBUTORE ELETTRO-IDRAULICO

Il distributore elettro-idraulico (fig.13, rif. E) è costituito da tre blocchi mantenuti insieme per mezzo di quattro tiranti con dadi; la loro coppia di serraggio deve essere pari a 5 N/m. Se tale serraggio non è rispettato, il distributore si blocca.

IMPIANTO ELETTRICO

L'impianto elettrico è protetto da due fusibili. Il primo, sul cruscotto, è da 16A (fig. 2, rif. 6) e protegge tutti i servizi: se interrotto, avviene solo l'avviamento del motore. Il secondo fusibile è da 25A, posizionato vicino al distributore elettro-idraulico, e protegge l'intero impianto: se interrotto, provoca la totale inefficacia dell'intero impianto elettrico (fig.29, rif. A). Ricercato e riparato il guasto, sostituire il fusibile interrotto con uno di uguale amperaggio. Non sostituire mai il fusibile con uno di amperaggio diverso. Se gli inconvenienti perdurano dopo aver eseguito le operazioni sopra descritte, contattare il Centro Assistenza Autorizzato. Non tentare mai di effettuare riparazioni impegnative senza avere i mezzi e le cognizioni tecniche necessarie. In caso di avaria del motore o della batteria, è possibile aprire il cesto

manualmente: Inserire il contatto chiave di avviamento e sedersi sul sedile. La valvola idraulica va in scarico. Premere il pulsante apertura cesto (fig.5, rif.13) e aprire il cesto manualmente. La batteria, è posizionata sotto al contenitore dell'erba nella parte posteriore della macchina (fig.33, rif. A). In caso di avaria è possibile estrarla e ricaricarla.

FUNZIONAMENTO DEI PRINCIPALI DISPOSITIVI DELL'IMPIANTO ELETTRICO

- Un sensore di sicurezza rileva se il cesto è in posizione di lavoro (fig.13, rif. F), diversamente le lame non si innestano.
- Sul pedale avanzamento è posizionato un micro-interruttore che rivela la posizione di stop per l'avviamento (fig.30, rif. A).
- Sulla leva freno di stazionamento è posizionato un sensore (fig.28A, rif. A) che rileva quando il freno è inserito e permette al motore di rimanere in moto anche se l'operatore abbandona il posto di guida. Il sensore spegne il motore se si preme il pedale di avanzamento quando il freno è inserito.
- Sul cavo della frizione elettromagnetica (fig.12, rif. B) è montato un diodo che impedisce eventuali ritorni di corrente.
- Un sensore mobile è montato all'interno del cesto, disinnesta le lame quando il cesto è pieno (fig.38, rif. A).
- All'interno della colonna di guida sono presenti una centralina (fig.36) che gestisce tutte le funzioni elettriche della macchina quali PTO, sicurezze e consenso all'avviamento e un relè che abilita il consenso ai pulsanti elettrici (fig. 35, rif. A).

FINE LAVORO

Terminata la rasatura, disinnestare le lame. Per fermarsi, togliere il piede dal pedale (fig.1, rif.1), portare il manettino acceleratore al minimo, spegnere il motore ruotando la chiave (fig.4, rif.15) in posizione di STOP. Inserire il freno di stazionamento (fig.3, rif.7) tirando la levetta in posizione di parcheggio, in corrispondenza del simbolo "P".

PULIZIA

Lavaggio interno del piatto: questa operazione deve essere eseguita su un pavimento solido. Si effettua collegando un tubo per l'acqua all'apposito raccordo (fig.31, rif. A) e facendo affluire dell'acqua per alcuni minuti, con:

- L'operatore seduto al posto guida;
- Il motore in moto;
- Il cambio in folle;
- La lama innestata;

Al termine dell'operazione pulire la griglia del cesto e il canale di carico.

Attenzione: la griglia del cesto pulita è indispensabile per una raccolta efficace anche in condizioni difficili.

Durante il lavaggio è opportuno che il piatto si trovi completamente abbassato.

Non lavare il vano motore e l'assale idrostatico con l'idro-pulitrice, ma utilizzare l'aria compressa oppure un aspiratore.

CANALE DI CARICO

È possibile smontare il canale di carico (fig.32, rif. A): dopo aver aperto il contenitore dell'erba, sollevare i due ganci di sicurezza verniciati rossi (fig.32, rif. C) quindi estrarre il canale di carico, tirandolo verso l'alto.

TIRO DI TRAINO

Serve per collegare un piccolo rimorchio o un rullo compattatore per campo sportivo (fig.33, rif. B). Capacità di traino kg130 max in piano. Utilizzare la macchina a bassa velocità e prestare sempre la massima attenzione.

KIT MULCHING

Istruzioni di montaggio

- Rimuovere e conservare le due lame in dotazione al piatto.

Attenzione: la vite della lama destra ha il filetto sinistro.

- Fissare le due lame mulching (fig.43, rif. A e B) in dotazione al kit con la stessa bulloneria rimossa in precedenza ed in più i distanziali forniti nel kit (fig.44, rif. D).
- Posizionare la lamiera mulching nera (fig.43, rif. C) in corrispondenza del canale di raccolta del piatto e portarlo in battuta nella parte terminale di questo, avendo cura di centrarlo rispetto agli assi di rotazione delle due lame. Fissare, quindi, la lamiera mulching nera alla parte superiore del piatto mediante l'apposita staffa (fig.45, rif. E), asta (fig.45, rif. F) e la relativa bulloneria allegata (rondella e dado).

INDICAZIONI E SUGGERIMENTI SUL TAGLIO MULCHING

- Si consiglia di falciare sempre erba asciutta in modo da favorire lo scarico di questa da parte del piatto.
- Nel caso in cui sia necessario falciare erba bagnata, sollevare leggermente il piatto in modo da favorire la circolazione d'aria.
- Periodicamente durante il lavoro, sospendere il taglio e con le lame inserite passare in zone già tagliate. In questo modo si permette al materiale accumulato dentro al piatto di distribuirsi uniformemente sul prato.
- Terminato il lavoro è consigliabile non fermare le lame subito, in quanto queste scaricherebbero l'erba tutta in una zona, ma proseguire il lavoro su di una superficie già tagliata per dare modo al piatto di scaricarsi.
- **IMPORTANTE: rispettare sempre la regola del terzo.** Mai tagliare più di un terzo della lunghezza del filo d'erba alla volta.
- Secondo i casi può essere necessaria più di una passata.
- Ridurre la velocità di avanzamento in modo da non caricare eccessivamente il piatto e tagliare con le lame alla massima velocità in modo da sminuzzare l'erba rapidamente.
- Tagliare sempre con lame affilate. In caso di usura affilarle o sostituirle secondo le necessità.

RIMESSAGGIO E INATTIVITÀ PROLUNGATA

Riporre la macchina in un ambiente asciutto, al riparo dalle intemperie e, possibilmente, ricoprirla con un telo. Se si prevede un prolungato periodo di inattività (superiore ad 1 mese), provvedere a scollegare il cavo negativo della batteria e seguire le indicazioni contenute nel libretto di istruzioni del motore; lubrificare inoltre tutte le articolazioni. Controllare periodicamente che il voltaggio della batteria non scenda sotto il valore di 12 Volt e in tal caso provvedere alla ricarica. Se la macchina non viene utilizzata per più di 30 giorni (motori a benzina) occorre svuotare del carburante il motore onde prevenire la formazione di depositi gommosi nel sistema di alimentazione o in parti vitali del carburatore. Nel caso si volesse evitare questa operazione, è possibile prolungare la conservazione del carburante in rimessaggio fino a 12 mesi aggiungendo uno stabilizzante per benzina adatto allo scopo. Miscelare l'additivo al carburante nel serbatoio o nel recipiente del carburante. Accendere il motore per far circolare l'additivo nel sistema di alimentazione. **Nota:** se il motore utilizza benzina contenente alcol, svuotare il serbatoio facendo funzionare il motore fino ad esaurire il carburante.

TRASPORTO

Se la macchina viene trasportata con un camion o un rimorchio, abbassare il piatto di taglio, inserire il freno di stazionamento ed assicurarla adeguatamente al mezzo di trasporto mediante funi, cavi o catene. Per il sollevamento è possibile agganciare le funi nei punti indicati dalle frecce (fig.42). Verificare che gru, paranchi e funi abbiano la portata sufficiente. Il peso totale della macchina è 400 kg.

FD450

TONDEUSE AUTO-PORTÉE FRONTALE AVEC RAMASSAGE

Cher Client,

Nous vous remercions de la confiance et de la préférence que vous avez bien voulu accorder à notre Grillo FD450. Nous sommes certains que l'utilisation de votre nouvelle tondeuse à gazon répondra entièrement à vos exigences. Pour un emploi optimal et pour son entretien au fil du temps, nous vous demandons de lire attentivement et de suivre scrupuleusement les indications de cette brochure; ce qui vous permettra d'obtenir d'excellents résultats et de sauvegarder votre investissement. Nous vous demandons également de conserver ce manuel, qui doit toujours accompagner la machine.

DESCRIPTION GENERALE ET USAGE PREVU

La machine Grillo FD450 est une tondeuse auto-portée conçue pour la coupe et le ramassage de l'herbe et pour le ramassage du feuillage.



ATTENTION! Lire attentivement les instructions avant de démarrer le moteur. Les précautions suivantes sont importantes pour la sécurité de l'opérateur!

MISES EN GARDE

La prudence est la meilleure arme dans la prévention des accidents. Nous vous indiquons ci-après les précautions à suivre lors de l'utilisation de la tondeuse à gazon et vous demandons de les lire attentivement avant de commencer le travail. L'utilisation inadéquate de la tondeuse et de son équipement peut être dangereuse; pour réduire ces risques, veuillez respecter les indications suivantes:

- 1) Lire entièrement ce manuel avant l'activation et la mise en mouvement de la tondeuse.
- 2) Respecter avec une attention particulière les mises en garde et les étiquettes de sécurité placées sur le pourtour de la tondeuse.
- 3) La rotation de la lame de la tondeuse est très dangereuse: **ne jamais mettre les mains ou les pieds sous le disque.**
- 4) Avant de confier votre tondeuse à d'autres personnes, il faut les mettre au courant des normes de sécurité et du mode d'emploi.
- 5) **Avant de commencer le travail, mettre des vêtements de travail appropriés, gants, bottes et lunettes.**
- 6) Pendant le travail mettre des instruments de protection acoustique appropriés (casques).
- 7) Avant de mettre la tondeuse en marche, vérifier que personne ne se trouve tout près de la machine, spécialement des enfants.
- 8) Avant de faire marche arrière, contrôler qu'il n'y a personne et aucun obstacle.
- 9) Contrôler le terrain avant la tonte pour supprimer les cailloux, les morceaux de bois ou autres objets qui pourraient être projetés et se révéler très dangereux.
- 10) Si l'on heurte un corps étranger déclencher la lame, éteindre le moteur, enlever la clé de démarrage et examiner la tondeuse; si la machine vibre la faire réparer.
- 11) Avant de quitter la tondeuse, désactiver la prise de force, désactiver le moteur, enlever la clé de démarrage et baisser le plateau de coupe de la tondeuse jusqu'à sa position la plus basse.
- 12) Voyager à une vitesse réduite sur les terrains accidentés.
- 13) Sur des pentes, en descente, modérer la vitesse.
- 14) Dans les descentes tourner très lentement.
- 15) L'utilisateur est toujours responsable des dommages occasionnés aux tiers.
- 16) Les couteaux déformés ou endommagés doivent être toujours remplacés et jamais réparés.
- 17) Utiliser toujours des pièces détachées et des accessoires d'origine GRILLO.
- 18) Travailler uniquement avec la lumière du soleil ou avec une bonne lumière artificielle.
- 19) Conserver le carburant dans des jerrycans spécifiquement construits à cet effet.
- 20) Être vigilants lorsqu'on travaille près d'une route.
- 21) Soulever et vidanger le bac seulement si la machine est arrêtée sur le terrain plain.
- 22) Laisser refroidir le moteur avant de ranger la tondeuse dans des locaux fermés.

USAGES IMPROPRES A EVITER

- 23) Ne transporter aucun passager à bord.
- 24) Ne pas faire travailler des personnes trop jeunes: l'usage est interdit aux mineurs de 16 ans.
- 25) Ne pas utiliser la tondeuse quand l'on est fatigué ou l'on a bu des boissons alcoolisées.
- 26) Ne pas utiliser la tondeuse près de fosses ou sur les accotements qui peuvent s'écrouler sous le poids de la machine, en particulier lorsque la surface est meuble ou mouillée.
- 27) Éviter les fuites de combustible; après avoir rempli le réservoir nettoyer soigneusement les fuites sur la tondeuse avant d'activer le moteur.
- 28) Ne pas modifier ou désactiver le dispositif de sécurité.**
- 29) Ne pas modifier les réglages du moteur et plus spécialement le nombre de tours maximum.
- 30) Ne poser aucun poids sur le siège; le dispositif de sécurité du démarrage pourrait se désactiver.
- 31) N'effectuer aucun réglage ou nettoyage avec le moteur en marche.
- 32) Ne jamais faire contrôler la tondeuse lorsque le conducteur est au volant avec le moteur en marche.
- 33) Ne pas déplacer la tondeuse sans plateau de coupe monté, car elle pourrait se soulever à l'avant et devenir très dangereuse.
- 34) Ne pas relever le bac de ramassage avec la machine en mouvement.
- 35) Remplacer les pots d'échappement usés ou endommagés.

PRECAUTIONS DE SECURITE SUPPLEMENTAIRES

Les mises en garde décrites ci-dessus pourraient ne pas être suffisantes afin d'éviter tous les risques, au cas où l'opérateur ne se tenait pas à l'usage approprié de la présent machine tondeuse. Pour cette raison et pour plus de prudence nous ajoutons les précautions suivantes:

- 36) **La rotation de la lame de la tondeuse est très dangereuse. Ne jamais mettre les mains ou les pieds sous le plateau.**
- 37) Ne pas faire marche arrière si le moteur est accéléré.
- 38) Il est dangereux d'actionner le volant de direction brusquement, avec le moteur en plein régime.
- 39) Avant d'activer le moteur, remplir le réservoir de carburant. Le ravitaillement de combustible doit être fait en plein air; désactiver le moteur, rester loin des étincelles ou des flammes et ne pas fumer. Remettre le bouchon de réservoir et ranger les jerrycans de carburant de manière fiable.
- 40) Effectuer la vidange du réservoir de carburant uniquement en plein air.
- 41) Ne pas travailler sur le gravier qui pourrait être projeté loin par les lames et devenir très dangereux.
- 42) Si Vous avez des enfants cachez les clés de démarrage de la tondeuse.
- 43) **ATTENTION!** Pour réduire le risque d'incendie faire sen sorte que le logement du moteur, le pot d'échappement, les collecteur, la batterie, la zone réservoir et la tuyauterie du carburant ne soient pas obstrués pas des herbes, des feuilles, de la poussière etc...
- 44) Ne pas remiser la tondeuse dans un édifice où les vapeurs du carburant peuvent arriver jusqu'à des flammes, des étincelles ou des fils électriques dénudés.
- 45) Avec le plateau de coupe relevé ne parcourir que de brefs distances et prêter toujours attention.
- 46) Déconnecter la transmission du plateau de coupe, arrêter le moteur et déconnecter les bougies d'allumage:
 - a) **avant de nettoyer les points obstrués.**
 - b) **avant toute contrôle ou réparation de la tondeuse.**
 - c) **après avoir heurté un objet étranger (vérifier que le plateau de coupe ne soit pas endommagé).**
 - d) **Si la machine vibrait de façon anormale, contrôler immédiatement l'ensemble de la machine de façon à déterminer la raison qui provoque cette anomalie: y remédier avec l'assistance d'un centre autorisé GRILLO si nécessaire.**

IDENTIFICATION ET ASSISTANCE



IDENTIFICATION

La tondeuse Grillo FD450 est munie d'une plaquette d'identification placée sous le siège indiquant le numéro de série de la machine. Le numéro de matricule doit toujours être cité dans toute demande d'intervention technique et sur les commandes de pièces de rechange.

SERVICE ASSISTANCE

Le présent manuel fournit toutes les indications utiles pour l'emploi de la tondeuse. Pour sa maintenance correcte, s'adresser au concessionnaire autorisé le plus proche.

PIECES DETACHEES

Nous recommandons d'utiliser exclusivement des pièces détachées d'origine, les seules en mesure d'offrir des caractéristiques de sécurité et d'interchangeabilité. Dans toute commande il doit être indiqué le numéro de série de la tondeuse aussi bien que la référence de la pièce à remplacer. Pour les pièces détachées du moteur, respecter les indications contenues dans le manuel spécifique.

GARANTIE

La garantie est assurée selon les modes et les limites indiquées par la loi en vigueur. Le revendeur devra remettre au client final une copie de la carte de garantie de la machine, qui pourra être téléchargée du site Grillo après avoir enregistré la machine même. En ce qui concerne le moteur, seulement les conditions prévues par le fabricant concerné sont valables.

PIECES DETACHEES QUE NOUS CONSEILLONS D'AVOIR EN RESERVE

- N. 1 jeu de lames tondeuse
- N. 1 jeu de courroies
- N. 1 filtre à air moteur
- N. 1 filtre à huile moteur
- N. 1 fil accélérateur

COMMENT COMMANDER LES PIECES DETACHEES

Indiquer toujours le numéro de série de la tondeuse et la référence de la pièce à remplacer. S'adresser au Centre Grillo, le plus proche. Pour plus d'informations, voici notre adresse:

GRILLO S.p.A.

Via Cervese 1701 - 47023 CESENA (FC)

Tél. 0547.381.333 / Télé-fax 0547.632.011

Site Web : www.grillospa.it / e-mail: grillo@grillospa.it

CARACTERISTIQUES TECHNIQUES

MOTEUR : BRIGGS & STRATTON **7220 Professional Series**, puissance nette 18 HP (puissance brute max. 22HP), OHV, 656 cc, deux cylindres à essence et avec pompe huile.

DEMARRAGE : électrique avec batterie de 12 V.

BOITE DE VITESSES : transmission hydrostatique avec blocage différentiel.

BLOCAGE DU DIFFERENTIEL : mécanique avec commande par pédale.

VITESSE : 0 – 11 km/h en marche avant et 0 – 6 km/h en marche arrière avec commande par pédale.

CAPACITE RESERVOIR : 17 litres – **RESERVE** : 2,5 litres.

PLATEAU DE COUPE : frontal avec 3 couteaux pour une largeur totale de 1190 mm. Équipé des roues pleines.

LARGEUR DE COUPE : 1130 mm.

REGLAGE HAUTEUR DE COUPE ELECTRIQUE : de 25 à 90 mm.

EMBRAYAGE : par PTO électromagnétique avec frein de lame magnétique.

SYSTEME DE CONDUITE : par volant, avec direction hydraulique et avec avancement et marche arrière par pédale.

SIEGE : avec suspension réglable.

BAC DE RAMASSAGE : 450 litres avec fermeture automatique et capteur bac plein motorisé.

EJECTION DU BAC ET RELEVAGE DU PLATEAU DE COUPE HYDRAULIQUES ACTIVABLES PAR BOUTON ELECTRIQUE.

BENNAGE EN HAUTEUR DU BAC : 170 cm.

PNEUMATIQUES : avant : 20x10.00 - 8; arrière : 15x6.00 - 6.

FREIN DE STATIONNEMENT : à disque.

RAYON DE BRAQUAGE : 25 cm.

RENDEMENT HORAIRE : 8000 m²/h (indicatif).

D'ORIGINE : crochet d'attelage.

ACCESSOIRES : kit mulching.

Poids : 400 kg

DIMENSIONS: Longueur : 2680 mm - Largeur : 1190 mm- Hauteur : 1450 mm

MISE EN SERVICE DE LA TONDEUSE

- 1) Contrôler que la machine soit en bon état et qu'elle n'ait pas été endommagée pendant le transport.
- 2) Vérifier le niveau de l'huile moteur (SAE30).
- 3) Vérifier la pression des pneumatiques:
Roues avant 20 x 10.0-8 (1 BAR)
Roue arrière 15 x 6.0 - 6 (1,2 BAR)
- 4) Contrôler la tension de la batterie, qui ne doit pas être inférieure à 12 V; effectuer éventuellement la recharge. **IMPORTANT!!!** Éviter d'inverser les polarités de la batterie pendant le montage. Ne pas démarrer le moteur si la batterie n'est pas connectée.
- 5) Attention! Dans la transmission hydrostatique l'indicateur visuel se trouve dans la coté du réservoir (fig. 14, A). Utiliser de l'huile moteur 20W50.

BATTERIE – ATTENTION!

Les gaz qui se dégagent de la batterie sont explosifs; garder la batterie loin des flammes ou des étincelles. Contrôler et lubrifier périodiquement les bornes avec de la graisse de vaseline.

RODAGE – ATTENTION !!

Vidanger l'huile moteur après les 20 premières heures d'utilisation (SAE30). Contrôler qu'il n'y ait aucune fuite d'huile et aucune vis desserrée, en particulier celles de fixation des lames.

ATTENTION : La vis centrale de la lame droite a le filetage à gauche.

MODE D'EMPLOI

Avant de démarrer le moteur, contrôler toujours que:

- les ailettes de refroidissement de la transmission hydrostatique soient bien propres (fig. 18)
- les grilles d'aspiration pour le refroidissement du moteur soient bien propres (fig.13, A)
- l'huile du moteur soit au niveau voulu. Ce contrôle doit être effectué avec le bouchon vissé (fig. 13, B);
- la pédale d'avancement de la vitesse ne soit pas actionnée (fig. 1 n. 1) ;
- l'interrupteur de la prise de force soit éteint (fig.2 n.3) ;
- le filtre à air soit bien propre (fig.6, A);
- Pour inspecter le moteur, soulever le bac de la machine et insérer les tiges de sécurité rouges sur les cylindres hydrauliques (fig.40, A).
- Pour positionner les tiges pousser le bouton (fig.39, A) et les accrocher au tige du vérin. Les tiges de sécurité restent en place à travers un aimant.
- le plateau de la tondeuse soit bien propre (fig. 26).
- que la grille dans le bac soit bien propre (fig.7, B)

Remplir le réservoir de carburant en utilisant un entonnoir muni d'un tamis très fin (fig. 5, n. 14).

Régler la position du siège, en agissant sur le levier spécialement prévu à cet effet (fig.3 n. 10).

DEMARRAGE DU MOTEUR A ESSENCE

Pousser jusqu'à la mi-course la manette de l'accélérateur (fig.3 n. 8). Si le moteur est froid, positionner la manette sur la position "starter" (fig.3, n.9). Tourner la clé de démarrage placée sur le tableau de bord (fig.4, n.15) ; lorsque le moteur a démarré, la relâcher, désactiver le starter et attendre quelques minutes pour réchauffer le moteur.

DEBUT DU TRAVAIL

Accélérer convenablement le moteur en poussant la manette de l'accélérateur jusqu'à la mi-course (fig. 3, n. 8) et enclencher la prise de force en appuyant sur l'interrupteur (fig. 2 n.3). Régler la hauteur de coupe au moyen du bouton (fig.2, n.4). L'interrupteur (fig. 5, n.11) sert pour le relevage du plateau de coupe. Pendant le travail le plateau de coupe doit être dans la position flottante « FLOAT ».

Attention: Ne pas embrayer les lames avec le moteur à régime maximum. Le moteur doit être à demi accélérateur. Embrayer les lames quelques mètres avant d'entrer dans l'herbe à tondre et avec la machine à faible vitesse.

FEU AVANT

Pour allumer le feu avant, mettre la clé dans la deuxième position (fig. 4, N. 15). **IMPORTANT:** Il est nécessaire d'utiliser le feu avant avec moteur en marche pour éviter la décharge de la batterie.

IMPORTANT:

- 1) Régler la vitesse d'avancement, de manière à ne pas charger excessivement le plateau pendant la tonte, et couper avec le moteur à régime maximum.
- 2) Couper toujours avec les lames parfaitement affûtées. En cas d'usure, affûter ou remplacer les lames.

Actionner doucement la pédale de présélection de la vitesse (fig.1, n.1) et commencer le travail. En poussant la pédale sur (A), la machine avance et en la poussant sur (B) la machine recule. En relâchant la pédale la machine s'arrête. Le levier (fig.3, n° 7) est le frein de stationnement: dans la

position (P) il est enclenché. Quand le bac de ramassage est plein les lames se déclenchent automatiquement. Le bac de ramassage est équipé d'un capteur à l'intérieur qui arrête les lames automatiquement quand le bac est plein (fig. 38, A). Il faut donc après vider le bac de ramassage. Cette opération est effectuée du poste de conduite en poussant sur les boutons (fig. 5, n. 12 pour relever le bac – n. 13 pour vider le bac). La porte du bac s'ouvre automatiquement. La grille à l'intérieur du bac doit être toujours bien propre pour améliorer le ramassage et pour éviter bourrages (fig. 7, B). En été et dans des environnements très poussiéreux, on conseille de monter dans le bac de ramassage la protection en plastic (fig. 7A, A). La protection et ses éléments de fixation sont fournis avec la machine.

FERMETURE DU BAC

Il est possible d'inspecter le bac en soulevant le couvercle (fig. 8, réf. A): la fermeture du bac est réglable (fig. 8, réf. B). L'ouverture est automatique quand on utilise le bouton du poste de conduite. Pour tenir le couvercle du bac ouvert pour l'inspection insérer la tige (fig.7, réf.A). **Attention:** Ne jamais enclencher les lames avec le couvercle du bac ouvert!

REGLES UTILES POUR UN BON USAGE

1. Contrôler le terrain avant d'effectuer la tonte pour supprimer les cailloux, les morceaux de bois ou tout autre obstacle.
2. Pendant la tonte, le moteur doit tourner à plein régime; régler la vitesse en fonction de la hauteur de l'herbe. Accorder une attention maximale aux cumuls d'herbe haute et touffue: si nécessaire, ralentir.
3. Affûter fréquemment les lames de la tondeuse: la coupe sera meilleure et le moteur forcera beaucoup moins.
4. Embrayer les lames quelques mètres avant d'arriver sur l'herbe à couper.
5. Tondre toujours avec le moteur à plein régime; si le nombre de tours moteur diminue, ralentir pour permettre au moteur de retrouver le régime de tours voulu.
6. Une coupe longitudinale, alternée à une coupe transversale et exécutée à une hauteur constante contribue à améliorer l'aspect du gazon.
7. Si le convoyeur tend à se remplir d'herbe, réduire la vitesse d'avancement qui peut être excessive en fonction de la condition du gazon; si le problème persiste, les causes doivent être recherchées dans les couteaux mal affûtés, le profil des ailettes déformé, la courroie desserrée ou la grille du bac obstruée.
8. Si l'herbe est très haute, exécuter la tonte à deux reprises: la première fois avec les lames à la hauteur maximale et éventuellement sur des bandes réduites de terrain, la seconde fois à la hauteur souhaitée.
9. Faire très attention quand le travail de coupe est effectué près des buissons et à proximité des bordures qui pourraient endommager le bord du plateau de coupe et les couteaux.
10. Une fois le travail achevé, serrer le frein de stationnement et fermer le robinet de l'essence (fig. 3 réf. 7).

POSITIONS DE COUPE

Pour régler la hauteur de coupe, agir sur le bouton (fig. 2, réf. 4). En présence d'un terrain accidenté, de cassis ou de dos-d'âne, on conseille d'utiliser le plateau dans la position de coupe la plus haute pour éviter les chocs des lames. Sur la partie arrière du plateau coupe il y a trois roues anti-scalpes (fig. 26, A). Leur hauteur du sol est réglable à travers les trous de fixation au plateau.

ROTATION DES LAMES

Pour activer et désactiver la rotation de la lame, on utilise le bouton (fig. 2 n. 3). Pendant l'activation le moteur doit être à mi-régime et la machine doit se trouver hors du gazon à couper. Ne pas enclencher les lames avec le moteur au maximum. La machine est équipée d'un embrayage électromagnétique qui fonctionne même comme frein de lame pendant le déclenchement. Les lames doivent s'arrêter en 5 secondes avec moteur au maximum. S'il n'en était pas ainsi, régler les trois écrous de l'embrayage électromagnétique en insérant un épaisseur de 0,3 mm. **ATTENTION: cette opération doit être effectuée par un concessionnaire autorisé. Ne pas utiliser la machine si les lames ne s'arrêtent pas entre 5 seconds du déclenchement à régime maximal.**

TERRAINS EN PENTE

Les terrains en pente doivent être parcourus, si possible, dans le sens montée/descente, en veillant, lors des changements de direction, à ce que les roues en amont ne rencontrent aucun obstacle (cailloux, branches, racines, etc...) susceptible d'entraîner la perte de contrôle de la tondeuse. Si les roues motrices ont tendance à patiner, relever légèrement le plateau de coupe avec la commande hydraulique ou régler les deux ressorts de flottaison (fig. 10, A) pour avoir plus de poids sur les roues motrices et par conséquent plus traction. Évaluer les différentes situations et faire en sorte, si le terrain est humide et l'herbe mouillée, que la tondeuse ne glisse pas. En descente, démarrer avec une faible vitesse et éviter de piétiner l'herbe sèche ou coupée car les roues perdent leur adhérence. Ne pas utiliser la machine sur des pentes supérieures à 12° (21%). Si les roues patinent, embrayer le blocage du différentiel (fig.1, n.2).

COMPTEUR HORAIRE

La machine est équipée d'un nouveau compteur-horaire. Ce dispositif offre 3 fonctions:

1) Il affiche le nombre des heures travaillées (tout-le-temps, même avec clé déclenchée).
 2) Il affiche les heures manquantes au remplacement de l'huile moteur (OIL CHANGE IN...HS) (= VIDANGE HUILE DANS.....HEURES). La première vidange d'huile doit être faite impérativement après les premières 20 heures de travail, ensuite toutes les 100 heures. L'avertissement « OIL CHANGE » (= VIDANGE HUILE) clignote automatiquement lorsque le remplacement d'huile se rend nécessaire.

3) Il affiche les heures manquantes au graissage (LUBE IN... HS) (= GRAISSER DANS....HEURES). Les graissages doivent être exécutés toutes les 40 heures de travail. L'avertissement « LUBE » (= GRAISSER) clignote automatiquement lorsque le graissage se rend nécessaire.

Les trois fonctions indiquées ci-dessus s'affichent en appuyant sur le bouton blanc du compteur-horaire.

4) Afin de réinitialiser le compteur-horaire après le change de l'huile moteur ou après le graissage il faut procéder dans la façon suivante :

Poussez le bouton jusqu'à ce que l'alarme relatif clignote (OIL CHANGE IN...HS ou LUBE IN...HS). Puis tenez le bouton poussé pour 6 secondes jusqu'à l'arrêt du clignotement.

INTERVENTIONS DES DISPOSITIFS DE SECURITE

Ne pas oublier que le moteur s'arrête toutes les fois que:

- l'opérateur quitte son siège si le frein de stationnement n'est pas enclenché et si la prise de force est enclenchée.
- si on presse la pédale d'avancement avec le frein de stationnement enclenché.

De plus, le moteur ne démarre pas si:

- les lames sont enclenchées;
- l'opérateur n'est pas assis au poste de conduite;
- la pédale d'avancement ne se trouve pas sur la position de "stop" ;

ENTRETIEN ET LUBRICATION

ATTENTION!

- **Débrancher la bougie d'allumage avant de procéder à toute opération de nettoyage, de maintenance ou de réparation. Porter des vêtements appropriés et des gants de travail.**
- **Quand on relève la machine ou une partie de la machine, utiliser toujours des instruments appropriés comme des support des sécurité.**
- **Ne pas laisser la machine relevée et sans supports de sécurité non gardée, surtout dans des lieux où personnes inexpertes et enfants peuvent avoir accès à la machine.**
- **Ne jamais jeter dans la nature les huiles usées, l'essence et tout autre produit polluant!**
- **Une maintenance fiable et une lubrification correcte contribuent à maintenir la tondeuse en parfait état de marche.**

MOTEUR

Respecter les normes contenues dans le manuel du moteur en ce qui concerne les intervalles de graissage. Pour le moteur INTEK 7220 PROFESSIONAL SERIES utiliser de l'huile SAE 30, quantité 2,2 litres. Contrôler fréquemment le niveau de l'huile moteur (fig. 13, B). Remplacer l'huile et le filtre (fig. 13, C) comme indiqué dans le tableau d'entretien. Pour débrancher le bouchon de vidange de l'huile (fig. 11, A) insérer un tuyau d'un côté, dévisser la partie finale et drainer l'huile dans un

conteneur. Utiliser une contre-clé pour la partie fixe du bouchon. Il faut toujours protéger le courroies de l'huile. **Première précaution à prendre: le moteur doit être correctement entretenu avec un filtre à air, des ailettes de refroidissement, une tête propre et l'huile moteur au niveau voulu.** Contrôler le filtre à air toutes les 4 heures ou même plus fréquemment si l'environnement est très poussiéreux (fig. 6, A). Contrôler que la grille d'aspiration du refroidissement du moteur (fig.13, réf. A) soit toujours bien propre.

TRANSMISSION HYDROSTATIQUE

Contrôler le niveau de l'huile avec moteur froid en utilisant la jauge de niveau (fig.14, réf. A) et la tige graduée placée sur le bouchon du réservoir de l'huile hydraulique (fig. 16, A). Nettoyer fréquemment les ailettes de refroidissement du moteur hydraulique et le ventilateur (fig.17) toutes les 4 heures de travail pendant l'été, compte tenu de la présence importante de poussière. Vidanger l'huile après les 50 premières heures de travail, ensuite toutes les 200 heures. Utiliser de l'huile moteur synthétique 20W50 **quantité indicative 6 litres**. Pour la vidange procéder de la manière suivante:

- 1) Enlever les deux bouchons de drainage (fig.15, réf. A et B)
- 2) Enlever le capot coté gauche (fig. 16, A) pour avoir accès au bouchon pour insérer l'huile dans le réservoir.
- 3) Enlever le filtre à huile de la transmission, le nettoyer et le remplacer si nécessaire (fig.12, réf. A)
- 4) A l'intérieur du réservoir il y a un filtre hydraulique (fig.14, réf.B) qui n'a pas besoin d'entretien particulière.
- 5) Une fois terminé la vidange, visser les deux bouchons (fig. 15, réf. A et B)
- 6) Activer la soupape du by-pass (fig. 27, réf. A) en poussant la tige vers la machine pour permettre à l'huile de drainer du circuit hydrostatique principal.
- 7) Enlever le raccord sur la transmission hydrostatique (fig. 18, réf. A) et remplir d'huile la chambre hydraulique de la transmission (fig. 18 – HYDRO CHAMBER).
- 8) Enlever le bouchon sur la transmission hydrostatique (fig. 19, A) et remplir d'huile la chambre mécanique de la transmission (fig. 18 – GEAR CHAMBER).
- 9) Revisser le bouchon, remonter le raccord et remplir le réservoir (fig. 16, réf. A).
- 10) Procéder avec la purge de la transmission hydrostatique :
 - a) mettre la machine en position de sécurité avec les roues avant soulevées du terrain, s'assurer que la soupape by-pass soit activée, démarrer le moteur, attendre quelques minutes et après enclencher et déclencher répétitivement la marche avant et la marche arrière en poussant la pédale d'avancement (fig. 1, n. 1).
 - b) désactiver la soupape du by-pass (fig. 27, A) en la tirant vers l'opérateur et enclencher et déclencher répétitivement la marche avant et la marche arrière en poussant la pédale d'avancement (fig. 1, n. 1).
 - c) positionner de nouveau la machine au sol et vérifier si elle avance et s'arrête de façon correcte: en cas de performances réduites, perte de puissance ou bruit anormal, répéter la purge (point 10).
- 11) Vérifier le niveau de l'huile à l'aide de la jauge (fig. 14, A) et de la tige graduée placée sur le bouchon du réservoir de l'huile hydraulique (fig. 16, A). Si nécessaire ajouter de l'huile.

Pour le remplacement de l'huile hydraulique il est recommandable de s'adresser à un centre d'assistance autorisé Grillo. Cette opération doit être effectuée dans des locaux bien propres pour éviter que de la poussière ou des résidus du terrain poussent contaminer l'intérieur de la transmission hydraulique et par conséquent l'endommager.

AXES DES ROUES ARRIERES

Graisser toutes les 20 heures les axes d'articulation des roues arrière (fig.41, réf.A).

BLOCAGE DU DIFFERENTIEL

Pour insérer le blocage utiliser la pédale (fig.1, n. 2). Régler le câble et le levier de commande pour enclencher et déclencher le blocage de façon correcte (fig. 9). En relâchant la pédale le différentiel doit être toujours libre. Ne pas utiliser le blocage du différentiel quand on change la direction pour éviter de stresser les composants du différentiel.

AFFUTAGE DES LAMES

Une lame non affûtée arrache le gazon et lui confère un mauvais aspect. Il faut que l'affûtage des lames soit toujours effectué sur les deux tranchants; si les lames sont usées, les remplacer. Pour exécuter cette opération, il est conseillé de décrocher le disque de la machine (fig. 26), en procédant comme suit:

- 1) Mettre le plateau dans la position de coupe plus basse.
- 2) Enlever la protection en plastique placée sur le plateau, en dévissant les deux écrous à papillon (fig. 25).
- 3) Enlever la goupille (fig. 25, réf. A).
- 4) Faire tourner le levier dans le sens contraire à celui des aiguilles d'une montre (fig. 25, réf.B).
- 5) Enlever la courroie de la prise de force (fig. 25, réf.C).
- 6) Débrancher le câble du vérin électrique (fig. 25, F).
- 7) Décrocher la fourche (fig. 31, réf.B), tirer le plateau vers l'avant et le mettre en position verticale (fig. 26). On conseille d'ouvrir préalablement le bac et d'enlever la conduite de chargement (fig. 32, réf. A).

Avec l'usure, les lames perdent leur tranchant et ont tendance à se déséquilibrer en faisant vibrer la tondeuse; si le déséquilibre persiste malgré un nouvel affûtage, il est conseillé de contrôler l'équilibrage en introduisant un tournevis dans le trou central de la lame et de polir jusqu'à ce que la lame ne soit horizontale, "équilibrée". Pour démonter une lame, la saisir avec force en utilisant des gants de travail et dévisser la vis centrale (ATTENTION: la vis de la lame droite a le filet gauche).

ATTENTION! Remplacer toujours les lames abîmées ou tordues; ne jamais les réparer! **UTILISER TOUJOURS DES LAMES D'ORIGINE!**

ATTENTION: Pour remonter le plateau il faut bien aligner la languette du plateau (fig. 23 réf. A) sur la coulisse qui se trouve dans la machine, entre les roues, au centre.

POINTS DE GRAISSAGE

Voir les points de graissage dans le schéma (fig.41, réf. A et B). Lubrifier avec graisse toutes les 40 heures les joints de l'essieu arrière, les pédales, les bras du relevage du bac de ramassage etc...

REGLAGE DU PLATEAU DE COUPE

Une bonne planéité du plateau de coupe est essentielle pour obtenir un gazon uniformément tondu. Placer la tondeuse sur une surface plate, vérifier que la pression des pneus soit correcte, contrôler la tension des ressorts de flottaison (fig.10, réf. A). Si l'on ne parvient pas à obtenir un bon parallélisme, agir sur le dispositif de réglage (fig. 20, réf. A). Pour le réglage de la hauteur de coupe introduire deux cales de 25 mm de chaque partie au-dessous du bord du plateau et positionner le plateau dans la position plus basse en utilisant le bouton sur le tableau de bord. Le réglage s'effectue en utilisant la vis (fig.24, réf.B). Il faut toujours d'abord dévisser les deux vis (fig.24, réf.A). Dans la partie arrière du plateau de coupe on trouve deux roues anti-scalpe (fig. 34, réf. C) et leur hauteur du sol peut être réglée en utilisant les trois tours de fixation au plateau.

COURROIES MOTEUR – TRANSMISSION HYDROSTATIQUE

Elles sont à réglage automatique: il est suffisant de contrôler la tension des ressorts. Pour les remplacer, décrocher les ressorts de tension (fig. 22, réf. A et B).

COURROIE PRISE DE FORCE

Attention! Cette courroie est spéciale, n'utiliser que des courroies d'origine. Pour la remplacer suivre les indications suivantes:

- 1) Enlever la protection placée sur le plateau, en dévissant les deux vis (fig.25).
- 2) Enlever la goupille (fig. 25, réf. A).
- 3) Tourner le levier dans le sens contraire à celui des aiguilles d'une montre (fig. 25, réf.B).
- 4) Enlever la courroie de la prise de force (fig. 25, réf.C).
- 5) Lorsque l'on remplace la courroie, l'arceau de guide doit passer à l'intérieur des deux parties de la courroie (fig. 37, réf. A).

La courroie de la prise de force n'a besoin d'aucun réglage.

COURROIE PLATEAU

Cette courroie est une courroie spéciale, à double profil A-A pour permettre la contra-rotation des lames. La tension de la courroie est réglée automatiquement par le ressort (fig.34, réf.A) qui doit mesurer 130 mm de longueur (longueur des spires). Pour le remplacement, suivre les instructions ci-dessous:

- 1) Positionner le plateau dans la position de coupe plus basse.
- 2) Enlever la protection en plastique sur le plateau, en dévissant les deux écrous à papillon.
- 3) Enlever la goupille (fig. 25, réf. A).
- 4) Tourner le levier dans le sens contraire à celui des aiguilles d'une montre (fig.25, réf. B).
- 5) Enlever la courroie de la prise de force (fig.25, réf.C).
- 6) Débrancher le câble du vérin électrique (fig. 25, réf. F)
- 7) Décrocher la fourche (fig.31, réf.B) et tirer le plateau vers l'avant. Il est recommandable d'ouvrir préalablement le bac de ramassage et d'enlever le canal de charge (fig. 32, A).
- 8) Démonter la poulie en dévissant la vis centrale (fig. 25, réf. E).
- 9) Enlever le carter de protection du plateau en dévissant les vis (fig. 31, réf.C).
- 10) Décrocher le ressort (fig.34, réf. A)
- 11) Enlever et puis remplacer la courroie en suivant le schéma (fig. 34, réf.B)

N'UTILISER QUE DES COURROIES D'ORIGINE GRILLO!

COURROIE POMPE HYDRAULIQUE

La courroie qui actionne la pompe hydraulique n'a pas besoin d'être réglée (fig.21). Pour la remplacer il faut décrocher le ressort (fig.21, réf. A) et dévisser les deux vis qui fixent la plaque de support de la pompe (fig.21, réf.B).

TABLEAU RECAPITULATIF DE MAINTENANCE

OPERATION		TOUTES LES 8 HEURES	APRES LES PREMIERES 20 HEURES	TOUTES LES 50 HEURES	TOUTES LES 100 HEURES	TOUTES LES 200 HEURES
Huile moteur	contrôler le niveau	•				
	remplacer		•		•	
Filtre à air	contrôler	•				
	remplacer				*	
Bougie d'allumage	contrôler/régler				•	
	remplacer					•
Huile essieu hydraulique	contrôler le niveau		•	•		
	remplacer			(premier change) •		•
Contrôler que la grille d'aspiration du moteur soit propre		•				
Contrôler que les ailettes du moteur hydraulique soient propres		•				
Contrôler fixation et affûtage de la lame		•				
Lubrifier avec graisse			•	•		

• opération recommandée

* à effectuer si nécessaire

PROCEDURE POUR L'IDENTIFICATION DES INCONVENIENTS

CAUSE	SOLUTION
Clé de démarrage sur AVV. (DEMARRAGE). Le tableau de bord est éteint	
<ul style="list-style-type: none"> - La batterie ne distribue pas de courant 	<ul style="list-style-type: none"> - Contrôler les câbles de connexion - Recharger la batterie - Remplacer le fusible
Le tableau de bord s'allume mais, la clé sur AVV. (DEMARRAGE), le démarreur ne tourne pas	
<ul style="list-style-type: none"> - La batterie ne distribue pas suffisamment de courant - Absence d'autorisation au démarrage 	<ul style="list-style-type: none"> - Recharger la batterie - Pédale d'avancement sur STOP - Désemployer les lames - S'installer au poste de conduite
Démarrage difficile ou fonctionnement irrégulier du moteur	
<ul style="list-style-type: none"> - Problèmes de carburation - Dépôts ou impuretés dans le carburant 	<ul style="list-style-type: none"> - Nettoyer ou remplacer le filtre à air - Régler le carburateur (voir manuel moteur) - Vidanger le réservoir et utiliser une nouvelle essence - Contrôler et remplacer le filtre à essence si nécessaire
Le démarreur tourne, mais le moteur ne démarre pas	
<ul style="list-style-type: none"> - Débit d'essence insuffisant - Le groupe allumage est insuffisant bougies 	<ul style="list-style-type: none"> - Contrôler que le starter soit actionné - Vérifier le niveau dans le réservoir. - Contrôler (et remplacer éventuellement) le filtre à essence. - Vérifier que le reniflard sur le bouchon du réservoir ne soit pas obstrué - Contrôler la fixation des capuchons des - Vérifier le nettoyage et la distance correcte entre les électrodes
Baisse de rendement du moteur pendant la coupe	
<ul style="list-style-type: none"> - Vitesse d'avancement élevée par rapport à la hauteur de coupe 	<ul style="list-style-type: none"> - Réduire la vitesse - Positionner le plateau de coupe dans la position de coupe plus haute
Le moteur s'éteint lorsqu'on embraye les lames	
<ul style="list-style-type: none"> - Absence de consensus pour l'embrayage des lames 	<ul style="list-style-type: none"> - Contrôler le micro-interrupteur d'embrayage - L'opérateur doit être assis au poste de conduite

Coupe irrégulière et récolte insuffisante

- | | |
|---|---|
| <ul style="list-style-type: none"> – Plateau de coupe non parallèle au sol – Inefficacité des lames correct – Vitesse d'avancement élevée par rapport à la hauteur de coupe et aux conditions du gazon | <ul style="list-style-type: none"> – Contrôler la pression des pneus – Rétablir le parallélisme du disque – Contrôler que le montage des lames soit – Affûter ou remplacer les lames – Couper l'herbe avec le gazon sec de préférence – Réduire la vitesse d'avancement |
|---|---|

Vibrations pendant le fonctionnement

- | | |
|--|---|
| <ul style="list-style-type: none"> – Lames déséquilibrées – Fixations desserrées châssis | <ul style="list-style-type: none"> – Équilibrer ou remplacer les lames si endommagées – Vérifier et serrer les vis de fixation des lames, les vis de fixation du moteur et du |
|--|---|

EN CAS DE CHOC CONTRE UNE PIERRE OU TOUT AUTRE ELEMENT

- Arrêter la machine.
- Arrêter le moteur, décrocher la tondeuse et contrôler que la lame ne soit pas déformée. La remplacer si nécessaire (fig. 26).

IMPORTANT

Pour déplacer la tondeuse avec le moteur arrêté, activer la soupape du by-pass en utilisant le levier (fig. 27, réf.).

FREIN DE STATIONNEMENT MECANIQUE

Pour permettre le fonctionnement de ce dispositif, il faut maintenir réglé le câble (fig. 28, réf.A) de façon qu'en position de parking (symbole « P ») le frein de parking soit activé en utilisant le levier (fig. 3, n. 7). Le frein de parking se désactive en plaçant le levier en avant, en position de déclenchement. Quand le frein de parking est enclenché et la prise de force déclenchée, il est possible de laisser le poste de conduite sans que le moteur s'éteigne. Attention: Ne pas laisser le poste de conduite avec le moteur en marche.

LA TONDEUSE NE TIENT PAS LA POSITION DU NEUTRE

Pousser doucement la pédale d'avancement (fig. 1, n. 1) : on poussant sur le point A la tondeuse avance tandis que on poussant sur le point B la tondeuse recule. Si on relâche la pédale la tondeuse s'arrête. Si la machine ne s'arrête pas complètement on relâchant la pédale, régler la position du neutre à l'aide de la vis de réglage (fig. 46). Le réglage du point mort doit être effectué à moteur en marche, la machine en position de sécurité et les roues avant soulevées du terrain. Enlever le capot de la colonne de direction et après dévisser les deux vis (fig. 46, A) et régler l'étrier de blocage du ressort d'avancement (fig. 46, B) ainsi que les roues s'arrêtent complètement. Serrer de nouveau les deux vis une fois terminé le réglage (**ces opérations doivent être effectuées par un centre autorisé Grillo**).

Important: procéder graduellement avec le réglage. Si on augmente la course du levier de la transmission hydrostatique en utilisant la tige connectée à la pédale, on augmente la traction et la vitesse des roues (**ces opérations doivent être effectuées par un centre autorisé Grillo**).

BAC DE RAMASSAGE

Les cylindres hydrauliques qui soulèvent et basculent le bac de ramassage peuvent être réglés. Il faut faire attention à ne pas forcer le bac contre les plaques de fin de course. Le tirant du parallélogramme (fig.40, réf. B) a le filetage à gauche et à droite: on peut les régler pour bien aligner le bac de ramassage avec le canal de charge (fig.32 réf. A). Les deux étriers qui supportent le tuyau de charge peuvent être réglés aussi (fig.32, réf. B). Cette opération doit être effectuée avec le bac de ramassage fermé. Le cylindre hydraulique du basculement bac de ramassage peut être réglé afin que le bac touche les plaques avant. Attention: le bac ne doit pas forcer sur les plaques mais simplement les toucher.

ESSIEU ARRIERE

Lubrifier avec graisse les différentes articulations. Si on s'aperçoit d'une usure anormale des pneus, aligner les roues avant avec les roues arrière en utilisant une barre rectiligne. Utiliser les écrous (fig. 33, réf. C).

DISTRIBUTEUR ELECTRO-HYDRAULIQUE

Le distributeur hydraulique (fig.13, réf. E) est composé par trois blocs connectés grâce à quatre tirants avec écrous: couple de serrage 5 N/m. Il faut respecter la couple de serrage autrement le distributeur ne fonctionne pas.

INSTALLATION ELECTRIQUE

L'équipement électrique est protégé par deux fusibles. Le fusible de 16A (fig.2, n. 6) se trouve sur le tableau de bord et protège toutes les fonctions de la machine: si ce fusible saute on peut seulement démarrer le moteur. Le fusible de 25A se trouve près du distributeur électro-hydraulique et si coupé, provoque la défaillance totale de l'installation électrique (fig.29, réf. A). **Après avoir recherché et réparé la panne**, remplacer le fusible grillé par un fusible de même puissance. **Ne jamais remplacer le fusible par un fusible d'une puissance différente.** Si, après les interventions susmentionnées, les inconvénients persistent, contacter un Centre d'Assistance autorisé. Ne jamais essayer d'effectuer des réparations difficiles sans disposer des moyens et des connaissances techniques nécessaires. Dans le cas de panne du moteur ou de la batterie, il est possible d'ouvrir le bac manuellement: insérer la clé de démarrage et s'asseoir sur la poste de conduit. De cette façon la soupape hydraulique perd de pression, appuyer sur le bouton ouverture du bac (fig.5, n.13) et ouvrir le bac manuellement. La batterie se trouve sous le bac de ramassage dans la partie arrière de la machine (fig.33, réf. A). En cas de panne il est possible de l'enlever et de la recharger.

FONCTIONNEMENT DES COMPOSANTS PRINCIPALES DE L'INSTALLATION ELECTRIQUE

- un capteur de sécurité relève si le bac est en position de travail (fig.13, réf.F). Autrement les lames ne s'enclenchent pas.
- sur la pédale d'avancement se trouve un micro-interrupteur qui relève la position de STOP pour le démarrage de la machine (fig. 30, réf. A).
- sur le levier du frein de stationnement se trouve un capteur (fig.28A, réf. A) qui relève si le frein est enclenché et permet à l'opérateur de laisser le siège de conduit sans éteindre le moteur. En outre ce capteur éteint le moteur si on pousse la pédale d'avancement quand le frein est enclenché.
- sur le câble de l'embrayage électromagnétique (fig.12, réf.B) se trouve un diode non-retour de courant.
- un capteur mobile se trouve à l'intérieur du bac de ramassage et déclenche les lames quand le bac est plein (fig.38, réf.A).
- A l'intérieur de la colonne de direction se trouvent une unité de contrôle électronique (fig. 36), qui contrôle toutes les fonctions électrique de la machine (par ex. prise de force, micro-interrupteurs, démarrage...) et un relais qui contrôle les boutons électriques (fig. 35, réf. A).

FIN DU TRAVAIL

Une fois terminé la tonte, déclencher les lames. Pour s'arrêter relâcher la pédale d'avancement (fig. 1 n. 1), emmener la manette de l'accélérateur au minimum et éteindre le moteur en tournant la clé sur STOP (fig.4, n.15). Enclencher le frein de stationnement (fig.3, n. 7) en plaçant le levier en position de parking « P ».

NETTOYAGE

Lavage de l'intérieur du plateau: cette opération doit être effectuée sur une surface solide. Connecter un tuyau d'arrosage au point indiqué (fig.31, réf. A) et faire circuler de l'eau pendant quelques minutes en veillant à ce que:

- l'opérateur soit assis au poste de conduite;
- le moteur soit en marche;
- la transmission soit au point mort;
- les lames soient embrayées.

Après avoir effectuée cette opération nettoyer la grille du bac de ramassage et le canal de charge. Pour une ramassage de l'herbe optimale même en conditions difficiles, il est très important que la grille du bac soit bien propre. Pendant le lavage il est opportun que le plateau soit positionné dans la position de coupe la plus basse. Ne pas laver le logement moteur avec l'hydre-nettoyeur, utiliser plutôt de l'air comprimé ou bien un aspirateur.

CANAL DE CHARGE

Il est possible de démonter le canal de charge (fig. 32, réf. A): une fois avoir ouvert le bac de ramassage, relever les deux crochets de sécurité rouge (fig. 32, réf C) et enlever le canal de charge en le tirant vers le haut.

CROCHET D'ATTELAGE

Le crochet sert pour connecter une petite remorque ou un rouleau pour terrains de sport (fig.33, réf.B). Masse tractable maximale autorisé: 130 kg. Utiliser la machine toujours à faible vitesse et faire attention.

KIT MULCHING

Instructions de montage

- Enlever et garder à part les deux couteaux dont le plateau est équipé. **Attention: la vis de la lame droite a le filet gauche.**
- Fixer les deux couteaux mulching (fig. 43, réf. A - B) avec les fixations des couteaux enlevés et les entretoises fournis dans le kit (fig. 44, réf. D).
- positionner la tôle mulching noire (fig. 43, réf. C) en correspondance du canal de ramassage du plateau de coupe et le placer dans la partie terminale du plateau même, en veillant à ce qu'il soit au centre par rapport aux axes de rotations des lames.
- fixer la tôle mulching noir sur la partie supérieure du plateau de coupe avec l'étrier (fig. 45, réf. E), la tige (fig. 45, réf. F) et les éléments de fixation fournis (écrou et rondelle).

INDICATIONS ET CONSEILLES POUR LA COUPE MULCHING

- Il est conseillé de couper toujours l'herbe sèche afin de faciliter le plateau dans le travail d'éjection.
- Au cas où il serait nécessaire de couper de l'herbe mouillée, soulever légèrement le plateau pour permettre la circulation de l'air.
- Pendant le travail interrompre périodiquement la coupe pour repasser dans les zones déjà coupées avec les couteaux enclenchés de façon à distribuer uniformément sur toute la surface les résidus accumulés dans le plateau.
- Une fois avoir terminé le travail, il est conseillé de ne pas arrêter les couteaux tout de suite puisque l'on risque de décharger toute l'herbe dans un seul endroit, au contraire, il faut parcourir la surface déjà coupée pour permettre au plateau de faire l'éjection.
- **IMPORTANT:respecter la règle du tiers.** Ne jamais couper plus d'un tiers de l'herbe à la fois.
- Il pourrait être nécessaire de repasser sur la surface plusieurs fois.
- Réduire la vitesse d'avancement de façon à ne pas charger excessivement le plateau pendant le travail et couper avec les lames à vitesse maximale pour émietter l'herbe rapidement.
- Couper toujours avec les lames bien affûtées. En cas d'usure affûter ou remplacer les couteaux selon nécessité.

MISE EN DEPOT ET INACTIVITE PROLONGEE

Placer la tondeuse dans un local sec, à l'abri des intempéries et, si possible, la recouvrir d'une bâche. Si l'on prévoit une période prolongée d'inactivité (supérieure à 1 mois), déconnecter le câble négatif de la batterie et respecter les indications contenues dans le manuel d'instructions du moteur; graisser également toutes les articulations. Contrôler périodiquement que la tension de la batterie ne descende pas au-dessous de 12 V et, si tel était le cas, la recharger.

Si la machine ne sera pas utilisée pour plus de 30 jours (modèles avec moteur à essence) il faut vidanger l'essence pour prévenir les dépôts de gomme dans le système d'alimentation ou sur des pièces vitales du carburateur. Afin d'éviter cette opération, il est possible de prolonger le temps du stockage du carburant dans le réservoir jusqu'à 12 mois en utilisant un additif pour essence approprié. Ajouter l'additif au réservoir de carburant ou dans un réservoir de stockage. Faire tourner quelques instants le moteur pour faire circuler l'additif dans le carburateur. **Note:** Si Vous utilisez de l'essence à l'alcool, vidanger toute l'essence du réservoir et faire tourner le moteur jusqu'à ce qu'il s'arrête, en panne de carburant.

MISE EN GARDE POUR LE TRANSPORT

Si la machine doit être transportée avec un camion ou remorque, activer le frein de stationnement et fixer au véhicule avec des câbles ou cordes. Pour soulever la machine lier les câbles ou les cordes dans les points indiqués (fig. 42). il faut toujours vérifier que appareils de levage, palans et cordes soient suffisants pour le poids de la machine. Le poids de la machine est de 400 Kg.

FD450

HYDROSTATISCHER RASENMÄHER

Sehr geehrter Kunde,
wir danken Ihnen für das entgegengebrachte Vertrauen, und beglückwünschen Sie zu Ihrem neuen Grillo FD 450. In der vorliegenden Anleitung finden Sie alles, was Sie wissen müssen, damit Ihr neuer Mäher einwandfrei funktioniert und lange hält. Lesen Sie sie daher aufmerksam durch, und befolgen Sie alle Hinweise und Anleitungen. Bewahren Sie die Anleitung sorgfältig auf. Sie ist ein wichtiger Bestandteil der Maschinenausstattung.

ALLGEMEINE BESCHREIBUNG UND VORGESEHENER GEBRAUCH

Die Grillo Maschine FD 450 ist ein Aufsitz-Rasenmäher, welche für das Mähen und Sammeln von Gras und für die Laubsammlung entwickelt worden ist.



VORSICHT! Lesen Sie vor dem Anlassen des Motors die folgenden Hinweise zum Schutz Ihrer persönlichen Sicherheit aufmerksam durch!

SICHERHEITSRELEVANTE HINWEISE

Vorsicht ist die wichtigste Maßnahme, um Unfälle zu vermeiden. Die folgenden Hinweise zum Gebrauch des Mähers vor Beginn der Arbeit aufmerksam durchlesen und stets befolgen, da ein unsachgemäßer Gebrauch der Maschine und der dazugehörigen Ausrüstung gefährlich sein kann.

- 1) Die vorliegende Anleitung vor der ersten Benutzung des Mähers aufmerksam und komplett durchlesen.
- 2) Die auf dem Mäher angebrachten Plaketten und Hinweise zur Sicherheit besonders beachten.
- 3) Die Rotation der Messer ist höchst gefährlich, Hände und Füße niemals unter das Mähwerk stellen.
- 4) Soll der Mäher von einer anderen Person benutzt werden, ist diese genau im Gebrauch der Maschine und über die Unfallverhütungsmaßnahmen zu unterweisen.
- 5) Beim Arbeiten immer geeignete Arbeitskleidung, Handschuhe, Schuhe und Schutzbrillen tragen.
- 6) Während der Arbeit geeigneten Gehör-Schutz (Gehörschutz) tragen.
- 7) Vergewissern Sie sich vor dem Einschalten der Maschine, dass sich keine anderen Personen und vor allem keine Kinder in der Nähe aufhalten.
- 8) Vergewissern Sie sich vor dem Anfahren im Rückwärtsgang immer, dass sich keine anderen Personen oder Hindernisse hinter der Maschine befinden.
- 9) Den Boden vor dem Mähen auf Steine, Stöcke und andere Gegenstände kontrollieren, die die Maschine beschädigen oder von dieser weggeschleudert werden und jemanden verletzen könnten.
- 10) Stößt man beim Mähen gegen einen Fremdkörper, muss das Messer ausgekuppelt, der Motor abgestellt, der Zündschlüssel abgezogen und der Mäher kontrolliert werden; vibriert die Maschine, muss sie repariert werden.
- 11) Vor dem Absteigen die Zapfwelle ausschalten, den Motor abstellen, den Zündschlüssel abziehen, und das Mähwerk in die unterste Position stellen.
- 12) Auf holprigen Straßen langsam fahren.
- 13) Beim Abwärtsfahren auf Hängen langsam fahren.
- 14) Beim Herunterfahren, immer sehr langsam beugen.
- 15) Der Benutzer haftet immer für Personen- bzw. Sachschäden.
- 16) Verformte oder beschädigte Messer sofort auswechseln und nicht reparieren.
- 17) Ausschließlich Original Grillo-Ersatzteile und Zubehör verwenden.
- 18) Nur bei Tageslicht oder guter Beleuchtung arbeiten.
- 19) Den Treibstoff in speziell zu diesem Zweck hergestellten Behältern aufbewahren.
- 20) Beim Arbeiten in der Nähe einer Straße ist immer größte Vorsicht geboten.
- 21) Heben und leeren Sie den Grasbehälter nur bei stehender Maschine und auf ebenem Untergrund.
- 22) Bevor die Maschine in einem geschlossenen Raum abgestellt wird, muss der Motor abgekühlt sein.

FOLGENDES IST ZU VERMEIDEN

- 23) Keine Passagiere befördern.
- 24) Das Mindestalter für die Benutzung dieser Maschine beträgt 16 (sechzehn) Jahre.
- 25) Den Mäher auf keinen Fall benutzen, wenn Sie müde sind und/oder unter Alkoholeinfluss stehen.
- 26) Nicht neben Gräben arbeiten, deren Rand unter dem Gewicht der Maschine nachgeben könnte, vor allem bei nassem, lockerem oder brüchigem Boden.
- 27) Keinen Treibstoff verschütten, und nach dem Tanken vor dem Anlassen des Motors alle Treibstoffreste sorgfältig entfernen.
- 28) Die Sicherheitseinrichtungen dürfen nicht beschädigt oder außer Funktion gesetzt werden.
- 29) Die Einstellungen des Motors, insbesondere die maximale Drehzahl, nicht verstellen.
- 30) Keine schweren Gegenstände auf dem Fahrersitz ablegen, da die Sicherheitseinrichtung ausgeschaltet werden könnte.
- 31) Bei laufendem Motor keine Einstellungen oder Reinigungsarbeiten durchführen.
- 32) Die Maschine niemals von einer zweiten Person kontrollieren lassen, während Sie selbst auf der Maschine sitzen und der Motor läuft.
- 33) Bewegen Sie die Maschine nicht ohne Mähwerk, weil sie umkippen kann und deshalb sehr gefährlich werden kann.
- 34) Auf keinen Fall den Grasfangkorb bei fahrender Maschine anheben.
- 35) Abgenutzte oder beschädigte Auspufftöpfe austauschen.

WEITERE SICHERHEITSRELEVANTE HINWEISE

Die oben aufgeführten Sicherheitshinweise könnten nicht ausreichen, um jedes Risiko zu vermeiden, falls sich der Benutzer nicht an den vorgesehenen Gebrauch dieses Rasenmähers hält. Daher mahnen wir zur Vorsicht und weisen auf Folgendes hin:

- 36) Die Drehung der Messer des Rasenmähers ist sehr gefährlich, Hände oder Füße niemals unter das Mähwerk stellen.
- 37) Im Rückwärtsgang nur langsam fahren.
- 38) Es ist gefährlich, bei hohen Motordrehzahlen das Lenkrad ruckartig zu betätigen.
- 39) Vor Beginn der Arbeit den Treibstofftank auffüllen. Nur im Freien tanken, vor dem Tanken immer den Motor abstellen, nicht rauchen und nicht in der Nähe von offenen Flammen oder Funken tanken. Nach dem Tanken Treibstofftank und Treibstoffbehälter wieder gut verschließen.
- 40) Den Treibstoff bei Bedarf immer nur im Freien entleeren.
- 41) Nicht auf Schotter mähen, da der Schotter angesaugt und von den Messern weggeschleudert wird, was sehr gefährlich ist.
- 42) Den Zündschlüssel immer von Kindern gesichert aufbewahren.
- 43) **ACHTUNG:** Um die Brandgefahr zu reduzieren, müssen der Motorraum, der Auspufftopf, die Auspuffkrümmer, die Batterie, der Bereich um den Treibstofftank und die Treibstoffleitungen immer frei von Gras, Blättern, Staub usw. gehalten werden.
- 44) Die Maschine darf nicht in einem Gebäude abgestellt werden, in dem die Treibstoffdämpfe mit Flammen, Funken oder freiliegenden Stromleitungen in Kontakt kommen könnten.
- 45) Bei angehobenem Mähdeck mit Vorsicht vorgehen und nur kurze Strecken zurücklegen.
- 46) Den Mähantrieb auskuppeln, den Motor ausschalten und den Zündkabel aus der Zündspule entfernen:
 - a) bevor Sie verstopfte Stellen reinigen.
 - b) bevor Sie den Mäher überprüfen oder reparieren.
 - c) nachdem den Mäher gegen einen Fremdkörper gestoßen ist, prüfen Sie das Mähdeck auf Schäden.
 - d) wenn die Maschine anormal vibriert, halten Sie die Maschine und suchen unverzüglich nach der Ursache. Bei Bedarf lassen Sie den Eingriff von einem zugelassenen Grillo Kundendienstzentrum durchführen.

IDENTIFIKATION DER MASCHINE UND KUNDENDIENST



IDENTIFIKATION

An der Maschine befindet sich eine Plakette mit der Seriennummer, die am Rahmen angebracht ist. Die Seriennummer muss bei jedem technischen Eingriff und bei der Ersatzteilbestellung angegeben werden.

KUNDENDIENST

In diesem Handbuch finden Sie die für einen korrekten Gebrauch des Mähers erforderlichen Anleitungen. Für die korrekte Wartung wenden Sie sich bitte an Ihren Grillo Händler.

ERSATZTEILE

Verwenden Sie ausschließlich Original-Ersatzteile, die unter sicherheitsrelevantem und montagetechnischem Standpunkt keinerlei Probleme bereiten können.

Bei der Ersatzteilebestellung immer die Seriennummer des Mähers und die Artikel-Nr. des auszuwechselnden Teils angeben. Für die Ersatzteile des Motors die Hinweise im Handbuch des Motors beachten.

GARANTIE

Es gelten die gesetzlichen Garantiebedingungen. Der Händler muss eine Kopie der Garantie-Karte der Maschine dem Kunden geben. Die Kopie kann von der Grillo Webseite heruntergeladen werden. Für den Motor gelten die vom jeweiligen Hersteller vorgesehenen Garantiebedingungen.

ERSATZTEILE, DIE SIE IMMER ZUR VERFÜGUNG HABEN SOLLTEN

- 1 Messersatz
- 1 Riemensatz
- 1 Luftfilter für den Motor
- 1 Ölfilter für den Motor
- 1 Gaszug

ERSATZTEILEBESTELLUNG

Bei der Ersatzteilebestellung immer die Seriennummer des Mähers und die Artikelnr. des auszuwechselnden Teils angeben. Wenden Sie sich bitte an ein Grillo-Center oder an eine Grillo autorisierte Werkstatt. Für nähere Informationen wenden Sie sich bitte an:

GRILLO S.p.A.

Via Cervese 1701 - 470521 CESENA (FC)

Tel. +39 0547.633111/ Fax +39 0547.632.011

Website: www.grillospa.it / e-mail: grillo@grillospa.it

TECHNISCHE DATEN

MOTOR: Briggs & Stratton **7220 Professional Series**, Nettoleistung 18 PS (Max. Leistung: 22 PS), OHV, 656cm³, 2-Zylinder, 4-Takt Benzinmotor mit Ölpumpe.

ANLASSER: Elektrostart mit 12V-Batterie

GETRIEBE: hydrostatisches Getriebe mit Differential.

DIFFERENTIALSPERRE: mechanisch mit Pedalbedienung.

GESCHWINDIGKEIT: 0 – 11km/h im Vorwärtsgang und 0 – 6 km/h im Rückwärtsgang mit Pedalbedienung.

KRAFTSTOFFBEHÄLTER: 17 Liter – **RESERVE:** 2,5 Liter

MÄHWERK: Front-Mähwerk mit 3 Messern für Gesamtbreite von 1190 mm. Das Mähdeck ist mit Vollbereifung mit Anti-Pannen-Schutz ausgestattet.

SCHNITTBREITE: 1130 mm.

STUFENLOSE ELEKTRISCHE EINSTELLUNG DER SCHNITTHÖHE: von 25 bis 90 mm.

KUPPLUNG: elektromagnetisch, mit magnetischer Messerbremse ausgestattet

LENKSYSTEM: mit Lenkrad, Hydrolenkung, durch Pedalbedienung setzt man Vor- und Rückwärtsfahrt im Gang.

SITZ: mit einstellbarer Federung

GRASFANGKORB: 450 Liter mit Magnetverschluss und motorisiertem Mikroschalter bei gefülltem Grasfangkorb

HYDRAULISCHE MÄHDECKSANHEBUNG UND HYDRAULISCHE ANHEBUNG DES GRASFANGKORBS DURCH ELEKTROSCHALTER.

HOCHENTLEERUNG: 170 cm – **HÖHE BEI HECKAUSWURF:** 45 cm

BEREIFUNG: vorne 20 x 10.00-8 ; hinten 15 x 6.00 - 6

FESTSTELLBREMSE: Scheibenbremse

INNERER WENDERADIUS: 25 cm

LEISTUNG PRO STUNDE: 8000 m²/h (Richtwert)

SERIENMÄßIGES ZUBEHÖR: Anhängerkupplung

ZUBEHÖR AUF BESTELLUNG: Mulching kit

GEWICHT: 400 kg

MAßE: LÄNGE: 2680 mm – **BREITE:** 1190 mm – **HÖHE:** 1450 mm

INBETRIEBNAHME DER MASCHINE

- 1) Die Maschine auf Transportschäden hin untersuchen.
- 2) Den Motorölstand kontrollieren (SAE 30).
- 3) Den Reifendruck kontrollieren:
Vorderreifen 20 x 10.0 - 8 (1 Bar)
Hinterreifen 15 x 6.0 - 6 (1,2 Bar)
- 4) Batterie kontrollieren; die Spannung darf nicht weniger als 12 V betragen; ggf. Batterie nachladen.
WICHTIG !!! Beim Einbauen auf keinen Fall die Pole der Batterie umkehren. Den Motor nicht anlassen, wenn die Batterie nicht angeschlossen ist.
- 5) Vorsicht! Beim Hydrostatgetriebe liegt das Sichtfenster auf der Seite des Tanks (Abb.14, Pos. A).
20W50 Motoröl benutzen.

BATTERIE – VORSICHT!

Die aus der Batterie austretenden Gase sind explosiv. Die Batterie daher von Flammen oder Funken fernhalten. Regelmäßig die Klemmen kontrollieren, und ggf. mit Vaseline fetten.

EINFAHREN – VORSICHT!!

Nach den ersten 20 Betriebsstunden das Motoröl wechseln (SAE 30). Das Öl im Hydrostatgetriebe nach den ersten 50 Betriebsstunden wechseln. Vergewissern Sie sich auch, dass es keine undichten Stellen gibt, und dass alle Schrauben, vor allem die Befestigungsschrauben der Messer, fest angezogen sind. **Vorsicht! Die mittlere Schraube des rechten Messers ist linksdrehend.**

BETRIEBSANLEITUNG

Vor dem Anlassen des Motors die folgenden Kontrollen durchführen:

- Die Kühlrippen des Hydrostatgetriebes müssen sauber sein (Abb. 18)
- Die Ansauggitter der Motorkühlung müssen sauber sein (Abb. 13, Pos. A).
- Den Motorölstand kontrollieren: Der Messstab ist im Schraubdeckel integriert (Abb. 13, Pos.B).
- Das Fahrpedal in der Leerlaufposition belassen; nicht treten. (Abb. 1 Pos. 1).
- Der Zapfwellendruckknopf muss ausgeschaltet sein (Abb. 2, Pos. 3).
- Der Luftfilter muss sauber sein (Abb. 6, Pos. A);
- Zum Kontrollieren des Motors die Verkleidung anheben und die rot lackierten Sicherheitsstützen an den Hydraulikhebern einstecken (Abb. 40, Pos. A).
- Zum Einstellen der Sicherheitsstützen den Druckknopf einschalten (Abb. 39, Pos. A) und sie an den verchromten Stiel des Hebers einhaken. Die Vorrichtung hält die Stellung mit Hilfe eines Magneten.
- Das Mähwerk muss sauber sein (Abb. 26).
- Das Grasfangkorbgritter muss sauber sein (Abb. 7, Pos. B).
- Zum Einfüllen des Treibstoffs einen Trichter mit einem sehr feinmaschigen Filter benutzen (Abb. 5, Pos. 14).
- Die Position des Sitzes mit Hilfe des Hebels (Abb. 3, Pos. 10) einstellen

ANLASSEN DES BENZINMOTORS

Den Gashebel (Abb. 3 Pos. 8) auf halbe Leistung stellen. Bei kaltem Motor den Anlasserhebel betätigen (Abb. 3, Pos. 9). Den Zündschlüssel am Instrumentenbrett drehen (Abb.4, Pos.15); sobald der Motor anspringt, den Zündschlüssel loslassen; den Anlasserhebel zurückstellen, und den Motor einige Minuten lang warm laufen lassen.

BEGINN DER ARBEIT

Den Motor aufdrehen in dem der Anlasserhebel halb eingedrückt wird (Abb. 3, Pos.8), die Zapfwelle durch den Druckknopf einschalten (Abb. 2, Pos. 3). Mit dem Druckknopf (Abb. 2, Pos. 4) die Schnitthöhe einstellen. Der Druckknopf (Abb. 5, Pos. 11) dient zum Anheben des Mähdecks. Solange die Maschine in Betrieb ist, muss das Mähdeck in Position „Float“ (schwingend) gehalten werden.

VORDERLICHT

Um das Vorderlicht einzuschalten, den Schlüssel in die zweite Position drehen (Abb. 4, Pos. 15).

WICHTIG: Das Vorderlicht nur mit eingeschaltetem Motor einschalten, um zu vermeiden, dass die Batterie sich entlädt.

ACHTUNG: Die Klingen nicht bei höchster Drehzahl einsetzen. Der Motor muss auf halber Geschwindigkeit laufen. Die Klingen bei geringer Geschwindigkeit der Maschine und einige Meter vor der zu bearbeitenden Fläche einschalten.

WICHTIG

1) Die Geschwindigkeit so regeln, dass das Mähdeck beim Mähen nicht übermäßig beansprucht wird; den Motor mit maximaler Drehzahl arbeiten lassen.

2) Achten Sie darauf, dass die Messer stets scharf geschliffen sind. Abgenutzte Messer nachschleifen oder ggf. auswechseln.

Das Pedal (Abb. 1, Pos. 1) für die Geschwindigkeitsregulierung immer mit Gefühl und niemals ruckartig betätigen; tritt man das Pedal in die Stellung (A), fährt die Maschine vorwärts; in der Stellung (B) rückwärts. Bei Loslassen des Pedals hält die Maschine an. Der Hebel (Abb. 3, Pos. 7) ist die Feststellbremse, die in der Stellung (P) angezogen ist. Bei vollem Grasfangkorb erfolgt das automatische Abschalten der Messer. Der Grasfangkorb ist im Innern mit einem mobilen Sensor ausgestattet, der bei vollem Grasfangkorb automatisch die Rotation der Messer unterbricht (Abb. 38, Pos. A). Daher muss die Entleerung des Grasfangkorbs durchgeführt werden. Dieser Vorgang kann bequem vom Fahrersitz durch Betätigung der Druckknöpfe (Abb. 5, Pos. 12 zum Anheben und Pos. 13 zum Entleeren) ausgeführt werden. Die Heckklappe öffnet sich automatisch. Das Gitter im Innern des Grasfangkorbs muss stets sauber gehalten werden, damit das Mähgut problemlos aufgenommen wird und somit Verstopfungen vermieden werden (Abb. 7, Pos. B). Während des Sommers und bei sehr staubiger Umgebung wird der Einbau der Staubschutzvorrichtungen aus Plastik im Grasfangkorb empfohlen (fig. 7A, Pos. A). Diese Komponenten und die notwendigen Befestigungsteile werden mit

der Maschine ausgeliefert.

SCHLIESSUNG DES GRASFANGKORBES

Man kann Inspektionsarbeiten am Grasfangkorb durchführen, indem man den Haken der Heckklappe betätigt (Abb. 8 Pos. A): die Schließung ist einstellbar (Abb. 10, Pos. B). Die Öffnung erfolgt automatisch durch Betätigung des Druckknopfs vom Fahrersitz aus. Damit die Heckklappe geöffnet bleibt, muss die Stange eingehakt werden (Abb. 7, Pos. A). **Vorsicht:** die Messer niemals bei geöffneter Heckklappe einschalten.

HINWEISE ZUM GEBRAUCH DER MASCHINE

1. Suchen Sie den Boden vor dem Mähen auf Steine, Stöcke und andere Gegenstände ab, und entfernen Sie sie.
2. Beim Mähen den Motor ganz aufdrehen, und die Geschwindigkeit der Grashöhe anpassen. Bei besonders hohem und dichtem Gras langsamer fahren.
3. Häufiges Nachschleifen der Schneidmesser schont den Motor und verbessert das Schnittbild.
4. Die Schneidmesser bereits einige Meter vor Beginn der zu bearbeitenden Fläche einkuppeln.
5. Immer mit maximaler Motordrehzahl mähen; fällt die Motorleistung ab, kurz langsamer fahren, damit der Motor wieder in Schwung kommt.
6. Ein gutes Schnittbild erhält man, indem man mit gleichbleibender Schnitthöhe abwechselnd in Längs- und in Querrichtung mäht.
7. Sollte der Sammelkanal öfter verstopfen, ist die Fahrgeschwindigkeit für die Grashöhe zu hoch und muss reduziert werden; kann das Problem so nicht behoben werden, kann es sein, dass die Messer nicht mehr scharf oder die Rippen verformt sind, der Riemen locker oder das Abluftgitter im Grasbehälter verstopft ist.
8. Bei sehr hohem Gras empfiehlt es sich, zuerst mit maximaler Schnitthöhe zu mähen und dann mit der gewünschten Schnitthöhe nachzuschneiden.
9. Beim Mähen um Sträucher und in der Nähe niedriger Einfassungen ist besondere Vorsicht geboten, damit der Rand des Mähdecks und die Messer nicht beschädigt werden.
10. Nach dem Mähen die Feststellbremse einlegen und immer den Benzinhahn zudrehen (Abb.3 Pos. 7).

SCHNITTHÖHEEINSTELLUNG

Die Schnitthöhe wird durch einen Druckknopf (Abb. 2, Pos. 4) eingestellt. Auf unebenem Gelände sollte das Mähdeck in der höchsten Stellung eingestellt werden, damit die Messer keine Bodenerhebungen berühren. Hierfür sind im hinteren Teil des Mähdecks 3 Vollgummiräder angebracht (Abb. 26, Pos. A). Die Bodenfreiheit kann mit Hilfe der Bohrung zur Befestigung des Mähdecks eingestellt werden.

ROTATION DER MESSER

Die Drehbewegung von den Messern wird mit dem Druckknopf (Abb.2, Pos. 3) ein- und ausgeschaltet. Beim Einschalten muss der Motor mit halber Kraft arbeiten und die Maschine darf nicht auf der zu bearbeitenden Fläche stehen. Die Messer nicht bei voller Drehzahl einschalten. Die Maschine ist mit einer elektromagnetischer Kupplung ausgestattet, die als Messerbremse fungiert, wenn die Messer ausgeschaltet werden. Die Messer müssen innerhalb von 5 Sekunden bei voller Drehzahl anhalten; andernfalls müssen die drei Muttern der Kupplung eingestellt werden, indem eine Fühlerlehre von 0,3 mm unter die Bremscheibe positioniert wird. **VORSICHT: Diese Einstellung muss in einem zugelassenen Grillo Kundendienstzentrum vorgenommen werden. Die Maschine nicht benutzen, wenn sich die Messer nicht innerhalb von 5 Sekunden bei voller Drehzahl ausschalten.**

MÄHEN AN HÄNGEN

Das Mähen in Hanglage sollte vorzugsweise senkrecht (aufwärts – abwärts) gemäht werden. Beim Wenden besonders vorsichtig fahren, und darauf achten, dass die bergwärts gelegenen Räder nicht durch Steine, Äste, Wurzeln, usw. angehoben werden, da dies ein Umkippen des Mähers oder den Verlust der Kontrolle über das Fahrzeug zur Folge haben könnte. Sollten die Antriebsräder beim Bergauffahren durchrutschen, kann mit Hilfe der Hydrauliksteuerung das Mähdeck leicht angehoben werden oder evtl. die Entlastungsfedern für das Mähdeck stärker angespannt werden (Abb. 10, Punkt A). Die Situation muss also von Fall zu Fall gut beurteilt werden. Bei feuchtem Boden und nassem Gras ist besondere Vorsicht geboten, da die Maschine rutschen könnte. Beim Abwärtsfahren langsam

fahren da die Räder auf geschnittenem oder trockenem Gras rutschen können. Hänge mit einem Gefälle von mehr als 12° (21%) dürfen nicht befahren werden. Sollten die Antriebsräder rutschen oder durchdrehen, muss die Differentialsperre betätigt werden (Abb. 1, Pos. 2).

STUNDENZÄHLER

Die Maschine ist mit dem neuen Stundenzähler ausgestattet. Dieser Stundenzähler hat drei verschiedene Funktionen:

- 1) Anzeige, auch bei abgezogenem Schlüssel, der Betriebsstunden.
- 2) Anzeige der noch fehlenden Betriebsstunden bis zum nächsten Motorölwechsel (OIL CHANGE IN...HS). Das Motoröl muss nach den ersten 20 Betriebsstunden ausgetauscht werden und dann alle 100 Betriebsstunden. Die Schrift „OIL CHANGE“ blinkt automatisch auf dem Display, wenn das Motoröl gewechselt werden muss.
- 3) Anzeige der noch fehlenden Betriebsstunden bis zur nächsten Schmierung der Maschine (LUBE IN...HS). Die Schmierung muss alle 40 Betriebsstunden durchgeführt werden. Die Schrift „LUBE“ blinkt automatisch auf dem Display, wenn die Schmierung durchgeführt werden muss.
Man kann eine der drei o.g. Funktionen durch Bedienen des weißen Druckknopfs wählen.
- 4) Zum Neueinstellen nach dem Motorölwechsel oder nach der Schmierung wie folgt vorgehen:
Den Knopf bis zur blinkenden Anzeige drücken (OIL CHANGE IN...HS oder LUBE IN...HS). Dann halten Sie den Knopf 6 Sekunden lang gedrückt bis die Anzeige aufhört zu blinken.

SICHERHEITSVORRICHTUNGEN

Der Motor wird automatisch ausgeschaltet, wenn:

- Der Fahrer vom Sitz aufsteht, wenn die Feststellbremse nicht eingelegt ist und die Zapfwelle eingelegt ist.
- Beim Anfahren mit eingelegter Feststellbremse

Der Motor springt nicht an, wenn:

- Die Messer eingekuppelt sind.
- Niemand auf dem Fahrersitz sitzt und auch nicht die Feststellbremse eingelegt ist.
- Das Fahrpedal nicht in Leerlaufposition (Stopp) steht.

WARTUNG UND SCHMIERUNG

ACHTUNG!

- Vor jedem Reinigungs-, Wartungs- oder Reparaturingriff das Zündkerzenkabel von der Zündspule abtrennen. Zweckmäßige Arbeitskleidung und Arbeitshandschuhe tragen.
- Wenn die Maschine oder ein Teil der Maschine angehoben wird, benutzen Sie immer geeignete Arbeitsmittel wie z.B. Hubtische oder Radkeile.
- Wenn Sie Wartungsarbeiten an der Maschine durchführen, lassen Sie die angehobene Maschine nie in ungesichertem (ohne Radkeile) und unbewachtem Zustand, vor allem an einem Ort, wo unerfahrene Personen oder Kinder leichten Zugang zur Maschine haben können.
- Altöl, Benzin und andere Umwelt verschmutzende Produkte ordnungsgemäß entsorgen!
- Eine gute Wartung und eine korrekte Schmierung halten den Mäher stets funktionstüchtig und einsatzbereit.

MOTOR

Die relevanten Hinweise zum Schmieren in der Anleitung des Motors beachten. Für den Intek Professional 7220 Motor benutzen Sie das Öl SAE 30 (Menge: 2,2 Liter). In regelmäßigen Abständen den Ölstand prüfen (Abb. 13, Pos. B). Motoröl und Ölfilter (Abb. 13, Pos. C) lt. Wartungstabelle wechseln. Zum Ölablass den Stopfen (Abb. 11, Pos. A) aufdrehen, vorsichtshalber einen Gummischlauch einfügen und das Öl in einen Behälter abfließen lassen. Einen Gegenschlüssel im festen Teil verwenden. Die Riemen schützen und vermeiden, dass sie mit dem Öl in Kontakt kommen. **Es ist besonders wichtig, dass der Motor korrekt gewartet wird: Luftfilter, Kühlrippen und Kopf müssen sauber gehalten werden, der Motorölstand muss stimmen.** Den Luftfilter mindestens alle 4 Stunden kontrollieren, bei staubigen Bedingungen auch häufiger (Abb. 6, Pos. A). Überprüfen Sie, dass das Ansauggitter für die Motorkühlung immer sauber ist (Abb. 13, Pos. A).

HYDROSTATGETRIEBE

Den Ölstand beim kalten Motor durch das Sichtfenster (Abb. 14, Pos. A) und mit Hilfe des Messstabs prüfen am Tankdeckel (Abb. 16, Pos. A) kontrollieren. Die Kühlrippen des Hydromotors und das Gebläse (Abb. 17) häufig säubern; im Sommer bei Trockenheit und Staub auch alle 4 Arbeitsstunden. Das Öl nach den ersten 50 Arbeitsstunden und danach alle 200 Stunden wechseln; verwenden Sie dazu synthetisches Öl 20W50 **Menge: 6 Liter**. Für den Ölwechsel gehen Sie wie folgt vor:

- 1) Die beiden Verschlüsse abnehmen (Abb. 15, Pos. A und B).
- 2) Die Haube auf der linken Seite abnehmen, um zum Deckel zum Einfüllen des Öls Zugang zu haben (Abb. 16, Pos. A).
- 3) Den Ölfilter abschrauben und reinigen, bei Bedarf wechseln (Abb. 12, Pos. A)
- 4) Im Innern des Tanks ist ein Hydraulikfilter vorhanden (Abb.14, Pos. B), der keine besondere Wartung erfordert.
- 5) Die zwei Bolzen wieder anschrauben (Abb. 15, Pos. A und B)
- 6) Die Entlüftung wie folgt durchführen: Beipassventil (Abb. 27, Pos. A) zur Maschine hin betätigen, damit das Öl aus dem Hauptkreislauf des Getriebes abfließen kann.
- 7) Den Anschluss auf dem Hydrostatgetriebe (Abb. 18, Pos. A) abnehmen und die Hydraulikkammer des Hydrostatgetriebes (Abb. 18, Bezeichnung „HYDRO CHAMBER“) mit Öl befüllen.
- 8) Den Deckel am Hydrostatgetriebe öffnen (Abb. 19, Pos. A) und den Getrieberaum (Abb. 18, Bezeichnung „GEAR CHAMBER“) mit Öl befüllen
- 9) Den Deckel wieder anschrauben und den Anschluss wieder einfügen, dann den Tank (Abb. 16, Pos. A) wieder befüllen.
- 11) Den Ölstand durch das Sichtfenster prüfen (Abb. 14, Pos. A) sowie mit Hilfe des Messstabs am Hydrauliktankdeckel (Abb. 16, Pos. A). **Man empfiehlt, den Ölwechsel im Hydrostatgetriebe von einer zugelassenen Grillo Fachwerkstatt vornehmen zu lassen. Dieser Vorgang muss an einem äußerst sauberen Ort durchgeführt werden, um das Eindringen von Unreinheiten oder Erdresten und den Verschleiß des Hydrostatgetriebes zu vermeiden.**

ACHSE DER HINTERRÄDER

Alle 20 Stunden die hinteren Radgelenkzapfen befetten. Die Gelenke der Lenkung ebenfalls schmieren (Abb. 41A).

DIFFERENTIALSPERRE

Zum Einkuppeln das Pedal (Abb. 1, Pos. 2) treten. Den Bowdenzug und die Schaltstange so einstellen, dass das Ein – und Ausschalten einwandfrei erfolgt (Abb. 9). Die Differentialsperre niemals beim Fahren in Kurven verwenden, da die Bestandteile in diesem Fall stark beansprucht werden.

NACHSCHLEIFEN DER MESSER

Ein stumpfes Messer zerreit das Gras, was das Schnittbild erheblich beeinträchtigt. Aus diesem Grund müssen die beiden Messer regelmäßig auf beiden Schneiden geschliffen, und ggf. ausgewechselt werden.

Dazu muss das Mähwerk ausgehängt werden (Abb. 26), und dann muss man folgendermaßen vorgehen:

- 1) Das Mähdeck auf die unterste Schnitthöhenposition einstellen.
- 2) Die Mähdeckverkleidung abnehmen, indem man die beiden Flügelmuttern (Abb. 25) herausschraubt.
- 3) Den Splint (Abb. 25, Pos. A) entfernen.
- 4) Den Hebel gegen den Uhrzeigersinn drehen (Abb. 25, Pos. B).
- 5) Den Zapfwellenriemen entfernen (Abb. 25, Pos. C).
- 6) Das Kabel des elektrischen Zylinders abtrennen (Abb. 25, Pos. F)
- 7) Die Gabel aushängen (Abb. 31, Pos. B), das Mähdeck nach vorne ziehen und vertikal aufstellen (Abb. 26). Vor dieser Operation, ist es empfehlenswert, den Grasfangkorb zu öffnen und den Gras-Sammelkanal zu entfernen (Abb. 32).

Abgenutzte Messer schneiden nicht mehr gut und werden unwuchtig, so dass der Mäher vibriert; kann dies auch durch Nachschleifen nicht mehr behoben werden, sollte die Auswuchtung kontrolliert werden, indem man einen Schraubenzieher durch die Zentralbohrung des Messers steckt und so lange schleift, bis das Messer in horizontaler Position verharrt. Zum Ausbauen das Messer mit Schutzhandschuhen festhalten und die zentrale Befestigungsschraube herausdrehen. Achtung: Die zentrale Befestigungsschraube des rechten Messers ist linksgängig.

ACHTUNG!

Beschädigte oder verformte Messer nicht reparieren, sondern immer ersetzen!

AUSSCHLIESSLICH GRILLO ORIGINAL-ERSATZTEILE VERWENDEN!

ACHTUNG!

Um das Mähdeck wieder zu montieren, muss die Mähdecksführung (Abb. 23, Pos. A) mit der Führung übereinstimmen, die sich auf der Maschine zwischen den Rädern befindet.

MIT FETT EINZUSCHMIERENDE SCHMIERPUNKTE

Zum Auffinden der Schmierpunkte können Sie diese in einem Schema nachschauen (Abb. 41, Pos. A und B). Alle 40 Stunden sollten folgende Schmierpunkte mit Fett nachgeschmiert werden: die Gelenke der Hinterachse, die Pedalen, die Arme der Grasfangkorbbevorrichtung etc.

EINSTELLUNG DES MÄHDECKS

Ein einwandfreies Schnittbild kann nur dann erzielt werden, wenn das Mähdeck vollkommen plan liegt.

Den Mäher auf einen ebenen Boden stellen, den Luftdruck der Bereifung kontrollieren, die Spannfedern des Mähwerks kontrollieren (Abb. 10, Pos. A). Kann das Mähwerk nicht plan gestellt werden, die Einstellvorrichtung (Abb. 20, Pos. A) regeln. Um die Schnitthöhe einzustellen, ist die Einfügung von 2 Unterlegstücken zu 25 mm Höhe seitlich unter die Kanten des Mähdecks erforderlich. Der elektrische Zylinder muss per Druckknopf betätigt am Armaturenbrett in die unterste Stellung eingestellt werden. Die Regulierung erfolgt mit Hilfe der Schraube (Abb. 24, Pos. B). Vorher vorsichtshalber die zwei Schrauben (Abb. 24, Pos. A) lockern. Im hinteren Teil des Mähdecks befinden sich zwei Vollgummiräder (Abb. 34, Pos. C); ihre Bodenfreiheit ist mit Hilfe der drei Bohrungen zur Befestigung des Mähdecks einstellbar.

RIEMEN ZWISCHEN MOTOR UND HYDROSTATGETRIEBE

Sind selbstregulierend und müssen nicht nachgespannt werden; es genügt, die Spannung der Federn zu kontrollieren. Zum Auswechseln die Feder aushaken (Abb. 22, Pos. A und B).

ZAPFWELLENRIEMEN

Achtung! Es handelt sich um einen Spezialriemen, der auf keinen Fall durch einen handelsüblichen Riemen ersetzt werden darf. Zum Auswechseln folgendermaßen vorgehen :

- 1) Die Mähdeckverkleidung abnehmen, indem man die beiden Schrauben (Abb. 25) herausschraubt.
- 2) Den Vorstecker (Abb. 25, Pos. A) entfernen.
- 3) Den Hebel gegen den Uhrzeigersinn drehen (Abb. 25, Pos. B).
- 4) Den Zapfwellenriemen entfernen (Abb. 25, Pos. C)
- 5) Wenn man den Riemen wieder einbaut, muss man darauf achten, dass das Bogenstück sich zwischen dem Riemen (wie in Abb. 37, Pos. A dargestellt) befindet. Der Zapfwellenriemen ist selbstregulierend und muss nicht nachgespannt werden.

MÄHDECKRIEMEN

Dieser Riemen ist ein A-A Doppel-Profil-Riemen, der speziell für den gegenläufigen Rotationssinn der Messer geeignet ist. Die Riemenspannung ist selbsttätig durch die Feder (Abb. 34, Pos. A). Die Feder muss eine Länge von 130 mm aufweisen (Länge der Windungen). Zum Auswechseln dieses Riemens beachten wie folgt vorgehen:

- 1) Das Mähdeck in die unterste Schnittposition einstellen.
- 2) Entfernen Sie den Schutz über dem Mähwerk, indem Sie die beiden Flügelmuttern herausdrehen
- 3) Den Vorstecker entfernen (Abb. 25, Pos. A)
- 4) Den Hebel gegen den Uhrzeigersinn drehen (Abb. 25, Pos. B).
- 5) Den Zapfwellenriemen entfernen (Abb. 25, Pos. C)
- 6) Das Kabel des elektrischen Zylinders abtrennen (Abb. 25, Pos. F)
- 7) Die Gabel aushängen (Abb. 31, Pos. B), dann das Mähdeck nach vorne ziehen. Es wird empfohlen, vorsichtshalber den Grasfangkorb zu öffnen und den Sammelkanal abzunehmen (Abb. 32, Pos. E).
- 8) Die Riemenscheibe durch Herausschrauben der mittleren Schraube entfernen (Abb. 25, Pos. E).
- 9) Entfernen Sie das Mähdeckschutzgehäuse indem Sie die 4 Schrauben abschrauben (Abb. 31, Pos. E).

C) .

10) Die Feder (Abb. 34, Pos. A) aushängen.

11) Entfernen Sie den alten Riemen (Abb. 34, Pos. B) und bauen Sie den neuen wie abgebildet ein (Abb. 34, Pos. A). **BITTE BENUTZEN SIE AUSSCHLIESSLICH GRILLO ORIGINAL-RIEMEN!**

RIEMEN DER HYDRAULIKPUMPE

Der Riemen, der die Hydraulikpumpe betreibt, ist selbstregulierend (Abb. 21). Für die eventuelle Auswechslung die Feder (Abb. 21, Pos. A) abnehmen und die zwei Schrauben abschrauben, die die Halterungsplatte der Pumpe befestigen (Abb. 21, Pos. B).

ZUSAMMENFASSENDE WARTUNGSTABELLE						
OPERATION		ALLE 8 STUNDEN	NACH DEN ERSTEN 20 STUNDEN	ALLE 50 STUNDEN	ALLE 100 STUNDEN	ALLE 200 STUNDEN
Motoröl	den Stand kontrollieren	•				
	wechseln		•		•	
Luftfilter	überprüfen	•				
	wechseln				*	
Zündkerze	kontrollieren/einstellen				•	
	wechseln					•
Öl der hydrostatischen Achse	den Stand kontrollieren		•	•		
	wechseln			(erster Wechsel) •		•
Überprüfen Sie, dass das Ansauggitter des Motors sauber ist		•				
Überprüfen Sie, dass die Kühlrippen des hydraulischen Motors sauber sind		•				
Überprüfen Sie, dass die Messer gut geschärft und befestigt sind		•				
Mit Fett schmieren			•	•		

• empfohlene Operation

* nur bei Bedarf durchführen

LISTE DER HÄUFIGSTEN STÖRUNGEN UND DEREN BEHEBUNG

	STÖRUNG	
URSACHE		ABHILFE
Der Zündschlüssel steht auf Position „Start“, aber die Armaturenbrettbeleuchtung schaltet sich nicht ein		
<ul style="list-style-type: none"> - Die Batterie liefert keinen Strom 		<ul style="list-style-type: none"> - Verbindungskabel kontrollieren - Batterie aufladen - Sicherung auswechseln
Die Armaturenbrettbeleuchtung schaltet sich ein, aber obwohl der Zündschlüssel in Position „Start“ steht, springt der Anlasser nicht an		
<ul style="list-style-type: none"> - Die Batterie liefert nicht genug Strom - Freigabe zum Start fehlt 		<ul style="list-style-type: none"> - Batterie aufladen - Fahrpedal in Leerlaufposition (STOP) stellen - Mähdeck-Antrieb auskuppeln - Sich auf den Fahrersitz setzen
Der Motor hat beim Starten Schwierigkeiten oder läuft unregelmäßig		
<ul style="list-style-type: none"> - Vergaserprobleme - Vergaser einstellen (Anleitung des Motors beachten) - Schmutziger Treibstoff 		<ul style="list-style-type: none"> - Luftfilter reinigen oder auswechseln - Tank entleeren und frisches Benzin nachfüllen - Benzinfilter kontrollieren und ggf. auswechseln
Anlasser funktioniert, Motor springt jedoch nicht an		
<ul style="list-style-type: none"> - Benzinversorgung funktioniert nicht - Zündanlage ist defekt 		<ul style="list-style-type: none"> - Kontrollieren, ob der Choke betätigt wurde (bei Kaltstart) - Benzinstand kontrollieren - Benzinfilter kontrollieren und ggf. auswechseln - Kontrollieren, ob das Entlüftungsloch auf dem Tankdeckel verstopft ist - Befestigung der Zündkerzenstecker kontrollieren - Abstand und Zustand der Elektroden kontrollieren
Motorleistung fällt beim Mähen ab		
<ul style="list-style-type: none"> - Zu hohe Fahrgeschwindigkeit für die Schnitthöhe 		<ul style="list-style-type: none"> - Langsamer fahren - Mähdeck etwas höher stellen
Beim Einkuppeln des Mähdecks stirbt der Motor ab		
<ul style="list-style-type: none"> - Freigabe zum Einkuppeln fehlt 		<ul style="list-style-type: none"> - Mikroschalter zum Einkuppeln der Messer kontrollieren - sich auf den Fahrersitz setzen - den Mikroschalter für geschlossenen Grasfangkorb prüfen

Unregelmäßiges Schnittbild und schlechte Mähgut-Aufnahme

- Mähdeck liegt nicht parallel zum Boden
 - Den Reifendruck kontrollieren:
 - Die Ebenheit des Mähdecks wieder einstellen
 - Messer funktionieren nicht richtig
 - Kontrollieren, ob sie korrekt montiert sind
 - Messer nachschleifen oder auswechseln
 - Zu hohe Fahrgeschwindigkeit für die Schnitthöhe und den Zustand der Wiese
 - Wenn möglich, bei trockenem Gras mähen
 - Langsamer fahren
 - Das Gitter im Innern des Grasfangkorbs reinigen
-

Vibrationen beim Arbeiten

- Messer sind schlecht ausgewuchtet
 - Messer auswuchten oder ggf. auswechseln, falls sie beschädigt sein sollten
 - Befestigungsschrauben sind locker
 - Befestigungsschrauben der Messer, des Motors und des Rahmens kontrollieren und ggf. nachziehen
-

WAS TUN, WENN MAN GEGEN EINEN STEIN GESTOSSEN ODER EINEN ANDEREN FREMDKÖRPER GEFAHREN IST:

- die Maschine anhalten
- den Motor abschalten; das Mähdeck abhängen und sich vergewissern, dass die Schneidmesser nicht verformt sind und gegebenenfalls auswechseln (Abb. 26).

WICHTIG

Zum Verschieben des Mähers mit abgeschaltetem Motor das Umleitventil mit Hilfe des Hebels (Abb. 27, Pos. A) betätigen.

MECHANISCHE FESTSTELLBREMSE

Damit die Feststellbremse einwandfrei funktioniert, muss das Kabel (Abb. 28B, Pos. A) korrekt eingestellt sein. In nicht angezogener Stellung muss sich der Hebel (Abb.3, Pos.7) in seiner Grundstellung in Entsprechung der Position „P“ befinden. Wenn die Feststellbremse eingelegt ist und die Zapfwelle nicht eingelegt ist, ist es möglich den Fahrersitz zu verlassen, ohne dass der Motor sich ausschaltet. Achtung! Die Maschine niemals bei laufendem Motor in unbeaufsichtigtem Zustand lassen.

DIE MASCHINE BLEIBT NICHT IM LEERLAUF

Das Fahrpedal (Abb. 1, Pos. 1) sanft bis zum Punkt A treten, die Maschine bewegt sich vorwärts, tritt man das Pedal bis zum Punkt B, bewegt sich die Maschine rückwärts. Bei Loslassen des Pedals hält die Maschine an. Sollte die Maschine nicht komplett anhalten, die Regelung mit Hilfe der Einstellvorrichtungen (Abb. 46) regulieren. Dieser Vorgang darf nur bei angelassenem Motor durchgeführt werden, und die Maschine muss aus Sicherheitsgründen auf Ständern mit angehobenen Vorderrädern sein. Die Schutzverkleidung der Lenksäule entfernen, dann die zwei Einstellschrauben (Abb. 46, Pos. A) lockern, und die Sperrhalterung der Antriebsfeder (Abb. 46, Pos. B) so einstellen, dass die Räder zum völligen Stillstand kommen. Am Ende der Regulierung die zwei Einstellschrauben wieder festziehen. **(Diese Arbeiten müssen jedoch von einer Grillo-Fachwerkstatt ausgeführt werden).**

Achtung: die Einstellung stufenweise vornehmen. Erhöht man den Lauf des Hebels auf dem Hydrostatgetriebe durch die entsprechend an die Pedale verbundene Stange, wird auch die Leistung auf die Räder erhöht. **(Diese Arbeiten müssen jedoch von einer Grillo-Fachwerkstatt ausgeführt werden).**

GRASFANGKORB

Die für das Anheben und Kippen des Grasfangkorbs vorgesehenen Hydraulikzylinder sind einstellbar. Achten Sie darauf, dass der Grasfangkorb nicht übermäßig gegen die Puffer am Laufende getrieben wird. Die Läufer des Parallelogramms haben rechtsgängige und linksgängige Gewinde und sind einstellbar, damit der Grasfangkorb exakt am Gras-Sammelkanal (Abb. 40, Pos. B) anliegt. Die zwei Stützen die den Gras-Sammelkanal sind ebenfalls regulierbar (Abb. 32, Pos. A). Diese Arbeiten müssen bei geschlossenem Grasfangkorb durchgeführt werden. Der Hydraulikzylinder, der den Kippvorgang steuert, kann reguliert werden, damit der Grasfangkorb sich auf die vorderen Puffer stützt. **VORSICHT!** Der Grasfangkorb darf nicht auf die Puffer gedrückt werden, er soll einfach nur auf diese stützen.

ELEKTROHYDRAULISCHER VERTEILER

Der elektrohydraulische Verteiler (Abb. 13, Pos. E) besteht aus drei Blöcken, die durch 4 Läufer mit Muttern zusammengehalten werden. Das Anzugsdrehmoment beträgt 5N/m. Hält man sich nicht dieses Anzugsdrehmoment, wird der Verteiler blockiert.

ELEKTRISCHE ANLAGE

Die elektrische Anlage wird durch zwei Schmelzsicherungen geschützt. Eine Sicherung zu 16 A/h (Abb. 2, Pos. 6) ist am Armaturenbrett angebracht. Brennt diese durch, erfolgt ausschließlich das Anlassen des Motors. Ein zweite Schmelzsicherung zu 25 A/h befindet sich in der Nähe des elektrohydraulischen Verteilers. Brennt diese durch, wird die gesamte elektrische Anlage des Mähers außer Betrieb gesetzt (Abb. 29, Pos. A). Den Defekt suchen und beheben, und die durchgebrannte Sicherung durch eine neue, identische Sicherung ersetzen. Niemals Sicherungen mit anderer Leistung einsetzen. Funktioniert der Mäher danach noch immer nicht, setzen Sie sich bitte mit Ihrem Grillo-Kundendienst in Verbindung. Versuchen Sie niemals, aufwändige Reparaturen selber durchzuführen, wenn Sie nicht über die dafür erforderlichen technischen Kenntnisse und Ausrüstungen verfügen. Bei Ausfall am der Motor oder die Batterie können Sie den Grasbehälter auch manuell gekippt werden. Dazu müssen Sie den Kontakt des Zündschlüssels einstecken und sich auf den Fahrersitz setzen. Das Hydraulikventil wird so entleert. Den Druckknopf für die Öffnung des Grasfangkorbs (Abb. 5, Pos. 13) drücken und manuell den Grasfangkorb öffnen. Die Batterie ist unterhalb des Grasfangkorbs im hinteren Teil der Maschine untergebracht (Abb. 33, Pos. A). Bei Batterieausfall ist es möglich, diese herauszuholen und zu laden.

BETRIEBSWEISE DER WICHTIGSTEN VORRICHTUNGEN AN DER ELEKTRISCHEN ANLAGE

- Ein Sicherheitssensor erhebt, ob der Grasfangkorb in Betriebsstellung ist (Abb. 13, Pos. F), andernfalls kuppeln sich die Messer nicht ein.
- Am Gaspedal ist ein Mikroschalter angebracht, der die Haltestellung zum Anlassen erhebt (Abb. 30, Pos. A).
- Am Hebel der Feststellbremse ist ein Sensor (Abb. 28A, Pos. A) angebracht, der erhebt, ob die Bremse angezogen ist und erlaubt, dass der Motor auch dann eingeschaltet ist, wenn der Fahrer nicht auf dem Fahrersitz sitzt. Er schaltet den Motor ab, wenn man bei angezogener Bremse das Gaspedal tritt.
- Am Kabel der elektromagnetischen Kupplung (Abb. 12, Pos. B) ist eine Diode zur Vermeidung von Rückstrom angebracht.
- Ein mobiler Sensor ist im Innern des Grasfangkorbs angebracht, welcher die Messer abschaltet wenn der Grasfangkorb voll ist (Abb. 38, Pos. A).
- Im Innern der Lenksäule ist eine elektronisches Steuergerät eingebaut (Abb. 36), welche alle elektrischen Funktionen der Maschine wie Zapfwelle, Bestätigung zum Anlassen und ein Relais steuert, das zur Bestätigung der elektrischen Druckknöpfe befähigt (Abb. 35, Pos. A).

NACH DER ARBEIT

Nach dem Mähen das Mähdeck auskuppeln, und den Fuß vom Pedal nehmen, damit der Mäher anhält (Abb. 1 Pos. 1). Das Gashebel auf Minimum stellen, und den Motor abschalten, indem man den Zündschlüssel (Abb. 4 Pos. 15) auf STOP stellt. Die Feststellbremse in Entsprechung der Bezeichnung „P“ anziehen.

REINIGUNG

Das Mähdeck waschen: Sie müssen diese Arbeit auf festem Boden vornehmen. Verbinden Sie einen Wasserschlauch mit dem Adapter (Abb. 31, Pos. A) und lassen Sie das Wasser für einige Minuten zufließen. Folgende Punkte sind zu beachten:

- den Fahrer muss sich auf den Fahrsitz befinden;
- den Motor muss laufen;
- das Fahrpedal muss in Leerlaufstellung sein;
- das Mähdeck muss eingeschaltet sein.
- Abschließend das Grasfangkorbgitter und den Gras-Sammelkanal reinigen
- Vorsicht! Ein sauberes Grasfangkorbgitter ist unbedingt notwendig, damit man auch unter schwierigen Bedingungen effizient sammeln kann.

Den Motorraum auf keinen Fall mit einem Hochdruckreiniger waschen, sondern immer nur mit Pressluft oder einem Sauggerät reinigen.

GRAS-SAMMELKANAL

Der Gras-Sammelkanal (Abb. 32, Pos. A) kann für eine Reinigung ganz einfach abmontiert werden. Zu diesem Zweck kippen Sie zuerst den Grasbehälter, dann können Sie den Gras-Sammelkanal aus der Fassung des Mähdecks herausziehen (Abb. 32, Pos. C).

ANHÄNGERKUPPLUNG

Die Anhängerkupplung (Abb. 33, Pos. B) dient zum Ankoppeln eines kleinen Anhängers oder einer Walze für Sportplätze. Auf ebenem Grund beträgt die max. erlaubte Tragfähigkeit 130 kg. Die Maschine bei niedriger Geschwindigkeit und mit höchster Sorgfalt benutzen.

MULCHKIT

Montageanleitung

- Die zwei in der Ausstattung des Mähdecks enthaltenen Messer entfernen und aufbewahren.
- Vorsicht: die Schraube des rechten Messers ist linksgängig.**
- Die zwei im Kit enthaltenen Mulchmesser (Abb. 43, Pos. A und B) zusammen mit den vorher entfernten Schrauben und den im Kit enthaltenen Unterlegscheiben (Abb. 44, Pos. D) befestigen.
- das schwarze Blech (Abb. 43, Pos. C) in Entsprechung des Gras-Sammelkanals des Mähdecks positionieren und ihn zum Anschlag am Endteil bringen. Es muss hierbei darauf geachtet werden, dass dieser im Verhältnis zu den Rotationsachsen der zwei Messer ausgewuchtet ist.
- Mit Hilfe der Stange E, der Stange F, den entsprechenden Unterlegscheiben und der Muttern (Abb. 45) das Blechteil D am oberen Teil des Mähdecks befestigen.

TIPPS UND HINWEISE ZUM MULCHEN

- Es wird empfohlen, immer trockenes Gras zur optimalen Entleerung des Mähdecks zu mähen.
- Sollte man feuchtes Gras mähen, empfehlen wir eine leichte Anhebung des Mähdecks, damit der Luftfluss begünstigt wird.
- Beim Arbeiten regelmäßig das Mähen einstellen und mit den eingeschalteten Messern nochmals über die bereits gemähte Fläche fahren. Auf diese Weise wird das im Mähdeck angesammelte Mähgut gleichmäßig über den Rasen verteilt.
- Nach Arbeitsende wird empfohlen, nicht sofort die Messer auszukuppeln, sondern mit der Arbeit fortzufahren, damit das Mähgut nicht nur an einer Stelle entladen wird, und dem Mähdeck die Möglichkeit gegeben wird, sich zu entladen.
- **Wichtig: halten Sie sich immer an die Regel, niemals mehr als ein Drittel der gesamten Grashöhe zu mähen.**
- Von Fall zu Fall ist es erforderlich, dieselbe Fläche mehrmals zu bearbeiten.
- Die Betriebsgeschwindigkeit verringern so dass das Mähdeck nicht übermäßig beansprucht wird und bei Höchstgeschwindigkeit die Messer halten, damit das Gras schnell zerkleinert wird.
- Immer mit geschliffenen Messern mähen. Bei Verschleiß diese schleifen oder wechseln.

ARBEITEN WENN DER MÄHER LÄNGERE ZEIT UNBENUTZT BLEIBT

Den Mäher an einem trockenen, vor Witterungseinflüssen geschützten Ort bringen und abdecken. Wird er voraussichtlich für mehr als einen Monat nicht gebraucht, das rote Kabel der Batterie abtrennen, die im Handbuch des Motors angeführten Hinweise beachten, und alle Gelenke schmieren. Regelmäßig die Batterie kontrollieren; sinkt die Spannung unter 12 V, muss die Batterie sofort aufgeladen werden. Sollte die Maschine für länger als 30 Tage nicht benutzt werden (Versionen mit Benzinmotor), entleeren Sie den Kraftstoffbehälter, um die Bildung von Ölrückständen in der Kraftstoffanlage oder im Vergaser zu vermeiden. Wenn Sie diese Operation vermeiden möchten, es ist möglich den Kraftstoff im Tank bis zum 12 Monaten aufzubewahren, indem Sie einen geeigneten Kraftstoff-Stabilisator benutzen. Fügen Sie den Kraftstoff-Stabilisator im Benzintank hinzu. Den Motor eine Weile laufen lassen, damit der Stabilisator in die Kraftstoffanlage fließen kann. Wenn die Benzin Alkohol enthält, lassen Sie den Motor laufen, bis den Kraftstoff aufgebraucht ist.

HINWEISE ZUM TRANSPORT DER MASCHINE

Wenn die Maschine auf einem LKW oder Anhänger transportiert wird, betätigen Sie die Feststellbremse und befestigen Sie die Maschine am Fahrzeug durch Kabel oder Seile in mit Pfeilen markierten Punkten lt. Abb. 42. Die Tragfähigkeit von Kran, Kabel und Seile immer sorgfältig prüfen. Das gesamte Gewicht der Maschine beträgt 400 Kg.

CORTACÉSPED HIDROSTÁTICO

FD 450

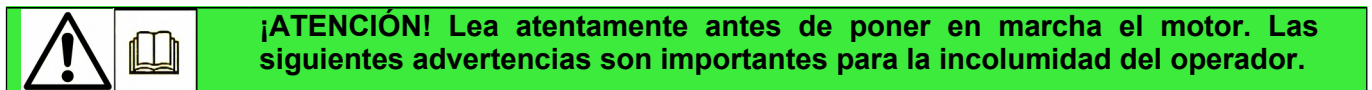
Estimado Cliente

Le agradecemos por la confianza y por la preferencia concedida a nuestro FD 450. Confiamos en que el uso de esta nueva máquina responda plenamente a sus exigencias. Para un empleo óptimo y para su mantenimiento a través del tiempo, le rogamos que lea atentamente y siga escrupulosamente las indicaciones de este manual, ello le permitirá obtener los máximos resultados y salvaguardar su inversión.

Le rogamos también que guarde este manual, el cual deberá acompañar siempre a la máquina.

DESCRIPCIÓN GENERAL Y USO PREVISTO

La máquina Grillo FD 450 es un cortacésped con asiento, construido para cortar y recoger el césped y para la recogida del follaje.



ADVERTENCIAS

La prudencia es el arma principal para prevenir los accidentes.

Le rogamos que lea cuidadosamente las siguientes advertencias sobre el uso de la máquina, antes de empezar el trabajo. El uso incorrecto del cortacésped y de su equipamiento puede ser perjudicial; para reducir estas posibilidades, adopte las precauciones necesarias que se indican a continuación:

- 1) Lea este manual en su totalidad antes de encender el cortacésped y ponerlo en marcha.
- 2) Preste una atención especial a las prohibiciones y a las etiquetas de seguridad.
- 3) La rotación de la cuchilla del cortacésped es sumamente peligrosa, no poner nunca las manos o los pies debajo del plato del cortacésped.
- 4) Antes de permitir que otras personas trabajen con el cortacésped, es preciso informarles sobre las normas de seguridad y cómo se utiliza el cortacésped.
- 5) Antes de empezar el trabajo, póngase prendas apropiadas de seguridad, guantes, botas, gafas.
- 6) Durante el trabajo póngase adecuados medios de protección acústica (cascos).
- 7) Antes de encender el motor, compruebe que no haya personas alrededor, especialmente niños.
- 8) Antes de arrancar en marcha atrás, compruebe que no haya personas y obstáculos.
- 9) Controle el suelo antes de proceder con el corte, quite las piedras, bastones o cuerpos extraños que podrían ser arrojados a gran distancia y por esto causar graves peligros.
- 10) Si choca contra un cuerpo extraño, desembrague la cuchilla, apague el motor, quite la llave y controle el cortacésped. Si la máquina vibra, llévela a reparación.
- 11) Antes de bajar de la máquina, desconecte la toma de fuerza (PTO), apague el motor, quite la llave de contacto y lleve el plato del cortacésped hasta la posición más baja.
- 12) Sobre firmes irregulares, viaje a baja velocidad.
- 13) Cuesta abajo, disminuye la velocidad.
- 14) Cuesta abajo, entre siempre lentamente en las curvas.
- 15) El usuario siempre es responsable de los daños causados a terceras personas.
- 16) Las cuchillas deformadas o dañadas tienen que ser siempre cambiadas y nunca arregladas.
- 17) Utilice siempre repuestos y accesorios originales GRILLO.
- 18) Trabaje sólo con la luz natural o con luz artificial muy buena.
- 19) Guarde el carburante en contenedores especialmente fabricados para dicho uso.
- 20) Preste atención cuando trabaje cerca de una carretera.
- 21) El cesto se tiene que levantar y vaciar sólo cuando la máquina esté parada y sobre superficie llana.
- 22) Deje enfriar el motor antes de estacionar la máquina en lugares cerrados.

EVITAR LOS USOS INCORRECTOS

- 23) No deje subir a pasajeros.
- 24) No deje trabajar a muchachos demasiado jóvenes: se prohíbe el uso a los menores de 16 años.
- 25) No utilice la máquina cuando está cansado o haya tomado bebidas alcohólicas.

- 26) No trabaje con el vehículo cerca de fosos o muelles que se pueden romper bajo el peso de la máquina, especialmente cuando la superficie está desprendida o mojada.
- 27) Evite derrames de combustible y, tras haber llenado el depósito, limpie cualquier derrame antes de arrancar el motor.
- 28) No manipule o desactive los dispositivos de seguridad.
- 29) Se prohíbe cambiar las regulaciones del motor, en particular el número máximo de revoluciones.
- 30) No ponga pesos sobre el asiento: el dispositivo de seguridad podría desactivarse.
- 31) No haga ningún tipo de regulación o limpieza con el motor encendido.
- 32) No permita que terceros controlen la máquina cuando esté conduciendo o con el motor en marcha.
- 33) No desplace la máquina sin el plato cortacésped. La máquina podría encabritarse y resultar peligrosa.
- 34) No levante el cesto de recogida cuando la máquina está en movimiento.
- 35) Sustituye los escapes desgastados o dañados.

MEDIDAS PREVENTIVAS COMPLEMENTARIAS

Las advertencias citadas arriba podrían no ser suficientes al fin de evitar cualquier riesgo, en el caso de que el operador no respete el uso apropiado de la máquina cortacésped. Por eso, añadimos las medidas preventivas de seguridad que se dan a continuación.

- 36) La rotación de la cuchilla del cortacésped es muy peligrosa: no meta nunca las manos o los pies debajo del plato cortacésped.
- 37) No haga marcha atrás con el motor acelerado.
- 38) Es peligroso accionar el volante de dirección bruscamente, con el motor en velocidad máxima.
- 39) Antes de arrancar, reposte de combustible el depósito. Haga el abastecimiento sólo al aire libre, apague siempre el motor, manténgase alejado de chispas o llamas y ¡no fume! Cierre bien el tapón del depósito y de los contenedores de carburante.
- 40) Si es necesario vaciar el depósito de carburante, haga la operación al aire libre.
- 41) No trabaje con el cortacésped sobre la grava, porque sería aspirada y centrifugada por la cuchilla y podría causar graves peligros.
- 42) En presencia de niños, cuando la máquina no se utiliza, esconda las llaves de contacto.
- 43) ¡ATENCIÓN! Para reducir el peligro de incendio, mantenga el alojamiento del motor, el tubo de escape, los colectores de escape, la batería, la zona del depósito y de los conductos del carburante libres de hierbas, hojas, polvo etc...
- 44) No almacene la máquina al interior de un edificio donde los vapores del carburante puedan llegar hasta llamas, chispas o cables eléctricos descubiertos.
- 45) Con el plato de corte en posición alta, proceder con prudencia y para recorridos cortos.

Desinsertar la transmisión del plato de corte, apagar el motor y desconectar la bujía:

- a) antes de limpiar los puntos obstruidos.
- b) antes de controlar o reparar el cortacésped.
- c) en caso de choque contra un cuerpo extraño (inspeccionar el plato de corte para comprobar que no haya daños y repararlo antes de volver a trabajar).
- d) si la máquina empieza a vibrar de manera anómala, efectuar en seguida un control general para individuar el origen de la anomalía: si necesario, contacte a un centro autorizado GRILLO.

IDENTIFICACIÓN Y ASISTENCIA



IDENTIFICACIÓN

La máquina Grillo FD 450 está dotada de una placa con su número de bastidor colocada debajo del asiento.

SERVICIO DE ASISTENCIA

Este manual suministra las indicaciones para el uso del cortacésped. Para un correcto mantenimiento, diríjase al Revendedor de su zona.

RECAMBIOS

Se recomienda emplear exclusivamente recambios originales, los únicos que garantizan características de seguridad y posibilidad de intercambio.

Toda solicitud debe contener el número de bastidor de la máquina y el número de código de la pieza para cambiar. Para los recambios del motor, atenerse a todo lo indicado en el manual específico.

GARANTÍA

La garantía es ofrecida en los modos y dentro de los límites previstos por la ley en vigor. El revendedor tiene que entregar el certificado de garantía de la máquina al cliente final, imprimiendo una copia de la registración del sitio Internet Grillo.

Por lo que respecta al motor, valen las condiciones previstas por los respectivos fabricantes.

RECAMBIOS QUE SE ACONSEJA TENER DE RESERVA

- 1 serie de cuchillas
- 1 serie de correas
- 1 filtro aire motor
- 1 filtro aceite motor
- 1 cable acelerador

PEDIR RECAMBIOS

Al dirigirse a nuestros centros, que se encuentran en cada provincia, indique siempre el número de bastidor de la máquina y el código del recambio. Para más información nuestra dirección es:

GRILLO S.p.A.
Via Cervese 1701 - 47521 CESENA (FC) - ITALIA
Tel. 0547.633111 / Fax 0547.632.011
Web site: www.grillospa.it / e-mail: grillo@grillospa.it

CARACTERÍSTICAS TÉCNICAS

MOTOR: BRIGGS & STRATTON **7220 Professional Series**, potencia neta 18HP (potencia bruta max. 22HP), OHV, 656 cc, de 2 cilindros, 4 tiempos, gasolina, bomba de aceite.

ARRANQUE: eléctrico con batería 12 V.

CAMBIO: transmisión hidrostática con bloqueo diferencial.

BLOQUEO DIFERENCIAL: mecánico con mando de pedal.

VELOCIDAD: 0 – 11 km/h marcha adelante y 0 – 6 km/h RM con variación continua de la velocidad mediante mando de pedal.

CAPACIDAD DEPÓSITO COMBUSTIBLE: 17 litros - **RESERVA:** 2,5 litros

PLATO DE CORTE: delantero, de 3 cuchillas, ancho total mm 1190. Ruedas macizas.

ANCHO DE CORTE: 1130 mm.

REGULACIÓN DE LA ALTURA DE CORTE ELÉCTRICA Y CONTINUA de 25 a 90 mm.

EMBRAGUE: por PTO electromagnética, con freno magnético de las cuchillas.

SISTEMA DE DIRECCIÓN: mediante volante, con dirección hidráulica, mando a pedal por avance y marcha atrás

ASIENTO: con suspensión regulable.

CESTO: 450 litros con cierre automático y detector cesto lleno motorizado.

DESCARGA CESTO Y LEVANTAMIENTO PLATO DE CORTE HIDRÁULICOS ACTIVABLE CON BOTÓN ELÉCTRICO.

ALTURA DE VACIADO: 170 cm. **VOLADIZO TRASERO:** 45 cm.

NEUMÁTICOS delanteros: 20x10.00-8; traseros: 15x6.00-6.

FRENO DE ESTACIONAMIENTO: de disco

RADIO DE GIRO: 25 cm.

CAPACIDAD HORARIA: 8000 m²/h (aprox.).

TIRANTE DE TRACCIÓN DE SERIE

ACCESORIOS: kit mulching

DIMENSIONES: Largo: 2680 mm; Ancho: 1190 mm; Alto: 1450 mm - **PESO:** kg 400

PUESTA EN SERVICIO DE LA MÁQUINA

- 1) Controlar la integridad de la máquina y averiguar que no haya sufrido daños durante el transporte.
- 2) Controlar el nivel del aceite motor (SAE 30).
- 3) Controlar la presión de los neumáticos:
Ruedas delanteras 20x10.00-8 (1 BAR)
Ruedas traseras 15x6.00-6 (1,2 BAR)
- 4) Controlar el voltaje de la batería: no debe ser inferior al valor de 12 Voltios. De ser necesario proceder con la recarga.
¡IMPORTANTE! Durante el montaje no invertir las polaridades de la batería. No poner en marcha el motor si la batería no está conectada.
- 5) ¡Atención!: la mirilla de nivel de la transmisión hidrostática se encuentra al lado del tanque (fig. 14, A). Utilizar aceite motor 20W50.

BATERÍA - ¡ATENCIÓN!

Los gases emanados por la batería son explosivos: es necesario mantenerla alejada de llamas y chispas. Controlar periódicamente los bornes y mantenerlos lubricados con grasa de vaselina.

RODAJE - ¡ATENCIÓN!

Cambiar el aceite del motor después de las primeras 20 horas de funcionamiento (SAE30). Sustuir el aceite en la transmisión hidrostática después de las primeras 50 horas de trabajo. Controlar que no haya pérdidas de aceite ni tornillos flojos, sobre todo los de fijación de las cuchillas. **¡ATENCIÓN! El tornillo central de la cuchilla derecha tiene rosca a la izquierda.**

INSTRUCCIONES PARA EL USO

Antes de poner en marcha el motor controlar siempre que:

- las aletas de refrigeración de la transmisión hidrostática estén bien limpias (fig. 18);
- las rejillas de aspiración para la refrigeración del motor estén bien limpias (fig. 13 ref. A);
- el aceite del motor esté a nivel: el control se hace con el tapón roscado (fig. 13 ref. B);
- el pedal de pre-selección velocidad no esté presionado (fig. 1 n. 1);
- el interruptor de la toma de fuerza esté apagado (fig.2 n. 3);
- el filtro de aire esté bien limpio (fig. 6, ref.A);
- para inspeccionar el motor levantar el cesto de la máquina e insertar los dispositivos de seguridad rojos sobre los cilindros hidráulicos (fig. 40, ref. A)
- para posicionar los dispositivos de fijación pulsar el botón (fig. 39, ref. A) y engancharlos al mango cromado del cilindro. El dispositivo queda en posición por medio de un imán.
- el plato cortacésped esté perfectamente limpio (fig. 26).
- que la rejilla al interior del cesto esté bien limpia (fig. 7, ref. B)
- llenar el depósito de combustible con el auxilio de un embudo provisto de un filtro muy fino (fig. 5, ref. 14).
- regular la posición del asiento mediante sus dispositivos (fig. 3, n. 10).

ARRANQUE DEL MOTOR DE GASOLINA

Empujar la palanca del acelerador (fig. 3, n. 8) hasta la mitad de su recorrido. Si el motor está frío, activar el estérter (fig. 3, n.9). Girar la llave de contacto colocada en el tablero de mandos (fig. 4, n. 15) y soltarla tras haber arrancado el motor, desactivar el estérter y esperar algunos minutos para que se caliente el motor.

INICIO DEL TRABAJO

Acelerar el motor lo necesario, empujando la palanca del acelerador hasta la mitad de su recorrido (fig.3, n.8). Accionar el interruptor de toma de fuerza (PTO) (fig. 2, n. 3). Ajustar la altura de corte por medio del pulsador correspondiente (fig. 2, n. 4). El pulsador (fig. 5, n. 11) sirve para el levantamiento del plato de corte. Durante el trabajo mantener la posición FLOAT (flotante).

ENCENDER LOS FAROS

Hay que posicionar la llave de arranque en la segunda posición (fig. 4, n. 15) para encender la luz. **IMPORTANTE:** hay que utilizar los faros cuando el motor está arrancado para evitar que se descargue la batería.

Atención: no embragar las cuchillas con el motor en régimen máximo. El motor tiene que estar a mitad acelerador. Embragar las cuchillas algunos metros antes de entrar en el área por cortar y con la máquina a velocidad baja.

IMPORTANTE

- 1) Regular la velocidad de avance para no cargar excesivamente el plato durante el trabajo y cortar con el motor en régimen máximo.
- 2) Corte siempre con las cuchillas afiladas; en caso de desgaste, afilarlas o sustituirlas.

Accionar suavemente el pedal de avance (fig. 1, n. 1) y empezar el trabajo. La máquina avanza con el pedal en la posición (A) y retrocede con el pedal en la posición (B). Abandonando el pedal, la máquina se detiene. La palanca (fig. 3, n. 7) es el freno de estacionamiento y se activa en la posición (P). Cuando el cesto está lleno, las cuchillas se desembragan automáticamente. El cesto de recogida tiene en su interior un sensor móvil que interrumpe automáticamente la rotación de las cuchillas cuando está lleno (fig. 38, ref.A). Por consecuencia hay que vaciar el cesto. Esta operación se efectua desde el puesto de conducción accionando los pulsadores (fig. 5, n. 12 para el levantamiento y n. 13 para el vaciado). La

tapa se abre automáticamente. La rejilla dentro del cesto tiene que estar bien limpia para asegurar una buena recogida y evitar atascos (fig. 7, ref. B). En verano y/o en entornos polvorientos aconsejamos montar dentro del cesto la protección de plástico, suministrada de origen (fig. 7A, ref.A) fijándola con los tornillos y las arandelas incluidos en el equipamiento de la máquina.

CIERRE DEL CESTO

Es posible inspeccionar el cesto abriendo la tapa por medio del gancho (fig. 8 ref. A): la cerradura es ajustable (fig. 8, ref. B). La abertura es automática gracias a un pulsador colocado al lado del puesto de conducción. Para mantener abierta la tapa del cesto insertar la varilla (fig. 7 ref. A). **Atención:** no embrague las cuchillas con la tapa abierta!

REGLAS ÚTILES PARA UN BUEN USO

1. Revisar siempre el terreno antes de cortar y retirar todas las piedras grandes, palos, alambres, huesos y cualquier otro cuerpo extraño.
2. Durante el corte del césped mantener el motor en régimen máximo, regular la velocidad según la altura del césped. Prestar atención en presencia de cúmulos de hierba alta y abundante, reduciendo la velocidad si necesario.
3. Afilar con frecuencia las cuchillas del cortacésped, el corte será mejor y el motor se esforzará menos.
4. Embragar las cuchillas unos metros antes de entrar en el área por cortar.
5. Cortar siempre con el motor en régimen máximo; si las revoluciones del motor bajan, reducir la velocidad un momento para que el motor retome el régimen adecuado.
6. Un corte longitudinal, alternado a uno transversal y efectuados a la misma altura, contribuye a mejorar el aspecto del césped.
7. Si el conducto se obstruye fácilmente, es aconsejable reducir la velocidad de avance porque ésta puede ser excesiva en función de las condiciones del césped. Si el problema persiste otras causas probables pueden ser: cuchillas desafiladas, el perfil de las aletas deformado, la correa floja o la rejilla del cesto obstruída.
8. Si el césped está muy alto, es mejor cortar en varias etapas: la primera con las cuchillas en la altura máxima y en porciones pequeñas de césped, la segunda en la altura deseada.
9. Prestar suma atención en proximidad de matorrales y de cordones bajos: podrían dañar el borde del plato de corte y la cuchilla.
10. Una vez terminado el trabajo, accionar el freno de estacionamiento (fig.3, n. 7).

POSICIONES DE CORTE

La altura de corte se regula por medio del pulsador (fig. 2, n. 4). En presencia de terreno accidentado, conviene trabajar con el plato en la posición de corte más alta para evitar el choque de las cuchillas. En la parte trasera del plato de corte se encuentran 3 ruedas anti-scalp (fig.26, ref.A): su distancia del terreno puede ser ajustada variando la altura de la fijación de la rueda al plato de corte.

ROTACIÓN CUCHILLAS

Para embragar y desembragar la rotación de las cuchillas, se utiliza el pulsador (fig. 2, n. 3). Durante el embrague, el motor debe estar a régimen medio y la máquina no debe estar sobre el césped para cortar. No activar las cuchillas con el motor en régimen máximo. La máquina está dotada de embrague electromagnético, que funciona también como freno de las cuchillas durante el desembrague. Las cuchillas deben parar en 5 segundos, con el motor en régimen máximo; si ello no es así, regular las 3 tuercas del embrague electromagnético, colocando bajo el disco del freno un calibre del espesor de 0,3 mm. **NOTA: esta operación debe ser efectuada por un Centro Asistencia Autorizado. Nunca utilizar la máquina si las cuchillas no paran en 5 segundos con el motor en régimen máximo.**

TERRENOS EN PENDIENTE

Los terrenos empinados deben recorrerse posiblemente en el sentido vertical (subida/bajada), prestando atención en los cambios de dirección, para que las ruedas de arriba no encuentren obstáculos (piedras, ramas, raíces, etc.) que podrían ser responsables de la pérdida de control de la máquina. Si las ruedas motrices tienden a patinar en las subidas, levantar ligeramente el plato de corte por medio del mando hidráulico o regular los dos resortes de flotación del plato (fig. 10, ref. A) para cargar más peso en las ruedas motrices y aumentar la tracción.

Evaluar las diferentes situaciones y prestar atención cuando se trabaja en terrenos húmedos y césped

mojado porque la máquina puede resbalar. Cuesta abajo, arrancar a velocidad baja y evitar pasar sobre hierba seca o cortada porque las ruedas pierden adherencia. No utilizar esta máquina en pendientes mayores de 12° (21%). Cuando las ruedas patinan, activar el boqueo del diferencial (fig. 1, n. 2).

CONTADOR HORARIO

La máquina está equipada con un contador horario. Este dispositivo ofrece 3 funciones:

- 1) Muestra el número total de las horas trabajadas (siempre visible, incluso si la llave no está insertada).
- 2) Muestra las horas que faltan al cambio del aceite motor (OIL CHANGE IN ...HS). Es indispensable sustituir el aceite tras las primeras 20 horas de trabajo y sucesivamente cada 100 horas de trabajo. El mensaje " OIL CHANGE" parpadea automáticamente en la pantalla cuando es necesario efectuar la sustitución del aceite motor.
- 3) Muestra las horas que faltan a la lubricación con grasa (LUBE IN...HS). La lubricación con grasa es necesaria cada 40 horas de trabajo. "LUBE" parpadea automáticamente en la pantalla cuando es necesario engrasar la máquina.

Estas tres funciones se pueden escoger presionando el botón blanco del contador horario.

- 4) Para reinicializar la función tras el cambio del aceite motor o después de la lubricación proceda en la manera siguiente:

Pulse el botón hasta que el alarme correspondiente parpadea (OIL CHANGE IN...HS o LUBE IN...HS). Después pulse el botón por 6 segundos hasta que el alarme en la pantalla acaba de parpadear.

INTERVENCIÓN DE LOS DISPOSITIVOS DE SEGURIDAD

El motor se para cada vez que:

- El conductor se levanta del asiento, si el freno de estacionamiento está desconectado y la PTO embragada.
- El conductor presiona el pedal de avance con el freno de estacionamiento activado.

Además, el motor no arranca si:

- Las cuchillas están embragadas.
- El operador no está sentado en el puesto de conducción y el freno de estacionamiento no está activado.
- El pedal de avance no está en posición "stop".

MANTENIMIENTO Y LUBRIFICACIÓN

¡ATENCIÓN!

- **Desconectar las bujías antes de iniciar cualquier operación de limpieza, mantenimiento o reparación. Llevar indumentaria apropiada y guantes de trabajo.**
- **Si fuera necesario levantar la máquina o parte de esa, utilizar siempre herramienta adecuada como soportes o ganchos de seguridad.**
- **No dejar la máquina en mantenimiento, sin dispositivos de seguridad o levantada en lugares accesibles a personas inexpertas, especialmente niños.**
- **Nunca desechar en el medio ambiente el aceite usado, la gasolina o cualquier otro producto contaminante.**
- **Un mantenimiento eficaz y una correcta lubricación contribuyen a mantener la máquina en perfectas condiciones.**

MOTOR

Para los intervalos de lubricación seguir las normas detalladas en el manual del motor. Para el motor INTEK 7220 PROFESSIONAL SERIES utilizar aceite SAE 30, cantidad 2,2 litros. Controle periódicamente el nivel del aceite motor (fig. 13, ref. B). Sustituir el aceite motor y el filtro (fig. 13, ref. C) como indicado en la tabla de mantenimiento. Para destornillar el tapón descarga aceite (fig. 11, ref. A): insertar previamente una manguera de caucho, destornillar la parte terminal y drenar el aceite en un contenedor. Utilizar una contra-llave en la parte fija del tapón. Proteger las correas para evitar que entren en contacto con el aceite. **Antes todo es fundamental realizar un correcto mantenimiento al motor: el filtro de aire, las aletas de refrigeración del cilindro y la culata deben ser limpios y el aceite del motor a nivel.** Controlar el filtro de aire cada 4 horas o hacer controles más frecuentes si el medio ambiente es muy polvoriento (fig. 6, ref. A). Controlar que la rejilla de aspiración de la refrigeración del motor esté siempre muy limpia (fig. 13 ref. A).

EJE HIDROSTÁTICO

Con el motor frío, controlar el nivel del aceite a través de la mirilla (fig. 14, ref. A) y de la varilla medidora colocada en el tapón del depósito del aceite hidráulico. Limpiar frecuentemente las aletas de refrigeración del motor hidráulico y el ventilador (fig. 17). En verano y cuando se trabaja en ambientes muy polvorientos limpiarlas cada 4 horas de trabajo.

Cambiar el aceite después de las 50 primeras horas de trabajo y, luego, cada 200 horas. Utilizar aceite motor sintético 20W50. Cantidad: 6 litros. Observar las instrucciones siguientes:

- 1) Quitar los dos tapones de drenaje (fig. 15 ref. A y B).
- 2) Quitar el capó al lado izquierdo para acceder al tapón de llenado aceite en el tanque (fig. 16, ref.A).
- 3) Destornillar el filtro del aceite de la transmisión hidrostática y limpiarlo; de ser necesario, sustituirlo (fig. 12 ref. A).
- 4) El filtro hidráulico dentro del tanque (fig. 14 ref. B) no necesita algún mantenimiento.
- 5) Una vez terminado el drenaje, enroscar los dos tapones (fig. 15, ref.A y B).
- 6) Accionar la válvula de derivación (fig.27, ref.A) empujando la varilla hacia la máquina para permitir al aceite de drenar desde el circuito hidrostático principal.
- 7) Quitar la conexión en la transmisión hidráulica (fig.18, ref. A) y llenar con aceite la cámara hidráulica del eje (fig.18, ref.HYDRO CHAMBER).
- 8) Quitar el tapón sobre la transmisión hidrostática (fig. 18, ref. A) y llenar con aceite la cámara mecánica del eje (fig.18, ref. GEAR CHAMBER).
- 9) Enroscar el tapón y volver a colocar la conexión. Llenar el tanque hasta el nivel correcto (fig.16, ref. A).
- 10) Efectuar la purga del eje hidrostático:
 - a. colocar la máquina en seguridad sobre dos caballetes. Con las ruedas delanteras levantadas del suelo, asegurarse de que la válvula de derivación esté activada. Arrancar el motor, esperar unos minutos y efectuar unos cambios de marcha (adelante y atrás) por medio del pedal de pre-selección de la velocidad (fig.1, n.1);
 - b. desactivar la válvula de derivación (fig.27, ref. A) tirando hacia ustedes y efectuar unos cambios de marcha (adelante y atrás) por medio del pedal de pre-selección de la velocidad (fig.1, n.1);
 - c. volver a colocar la máquina al suelo y averiguar el avance y el paro del cortacésped. En caso de prestaciones reducidas, pérdida de potencia o ruido, repetir la purga (punto 10).
- 11) Verificar el nivel del aceite por medio de la mirilla (fig.14, ref. A) y de la varilla medidora colocada en el tapón del depósito del aceite hidráulico (fig.16, ref. A). Si necesario, repostar.

Sugerimos dirigirse a un taller autorizado Grillo para efectuar el cambio del aceite en el eje hidrostático. Esta operación debe ser efectuada en condiciones de máxima limpieza para evitar que impurezas o residuos de tierra entren dentro del eje hidrostático.

EJE RUEDAS TRASERAS

Engrasar cada 20 horas los pernos de articulación de las ruedas traseras (fig. 41A).

BLOQUEO DEL DIFERENCIAL

Para activar el bloqueo de diferencial, presionar el pedal (fig. 1, n. 2). Regular el cable y la varilla de mando de manera que embrague y desembrague se efectúen correctamente (fig. 9). Al abandonar el pedal, el diferencial debe ser libre. No accione el bloqueo del diferencial en curvas: los componentes del diferencial sufrirían fuertes sollicitaciones.

AFILADO DE LAS CUCHILLAS

Una cuchilla no afilada arranca la hierba dejándole un mal aspecto: es necesario que el afilado se realice siempre sobre los dos filos de las dos cuchillas; si las cuchillas resultan desgastadas, es necesario cambiarlas.

Para realizar esta operación, se aconseja desenganchar el plato de la máquina (fig. 26) procediendo de la siguiente manera:

- 1) Regular el plato en la posición de corte más baja.
- 2) Quitar la protección sobre el plato desenroscando los dos tornillos (fig. 25).
- 3) Quitar el pasador (fig. 25, ref. A).
- 4) Girar la palanca hacia la derecha (fig. 25, ref. B).
- 5) Quitar la correa de la PTO (fig. 25, ref. C)
- 6) Desconectar el cable del actuador eléctrico (fig.25, ref. F)
- 7) Desenganchar la palanquita (fig. 31, ref. B), tirar del plato hacia adelante y ponerlo en vertical (fig. 26).

Antes de efectuar estas operaciones, se aconseja abrir el cesto y quitar el conducto de carga (fig. 32, ref. A). Las cuchillas, al desgastarse, pierden el filo y tienden a desajustarse haciendo vibrar el cortacésped. Si, aunque las cuchillas estén afiladas, el desequilibrado persiste, se aconseja controlar el balanceado, introduciendo un destornillador en el agujero central de la cuchilla y esmerilar hasta que la cuchilla quede horizontal, "balanceada". Para desmontar una cuchilla, tomarla firmemente utilizando guantes de trabajo y destornillar el tornillo central (ATENCIÓN: el tornillo de la cuchilla derecha tiene rosca a la izquierda).

¡ATENCIÓN!

Cambiar siempre las cuchillas averiadas o torcidas ¡No tratar nunca de repararlas! **¡USAR SIEMPRE CUCHILLAS ORIGINALES!**

¡ATENCIÓN! Para volver a montar el plato es necesario que la ranura-guía del plato (fig. 23, ref. A) encaje bien con la ranura-guía que está entre las ruedas de la máquina, en el centro.

PUNTOS DE LUBRIFICACIÓN CON GRASA

Consultar los puntos de lubricación siguiendo los esquemas (fig. 41A y 41B). Lubrificar con grasa cada 40 horas las articulaciones del eje trasero, los pedales, los brazos de elevación del cesto etc...

REGULACIÓN PLATO DE CORTE

Una buena horizontalidad del plato es esencial para obtener un césped uniformemente cortado.

Tras colocar el cortacésped sobre una superficie plana, controlar que la presión de los neumáticos sea correcta y controlar la tensión de los dos muelles de flotación (fig. 10, ref.A). En caso de que no se logre obtener un buen paralelismo, regular el registro (fig. 20, ref. A). Para regular la altura de corte aplicar dos espesores de 25 mm a los lados, bajo el borde del plato y ajustar el actuador en la posición de mínimo con el pulsador del cuadro de mandos. La regulación se efectúa por medio del tornillo (fig. 24, ref.B). Aflojar preventivamente los dos tornillos (fig. 24, ref. A).

En la parte trasera del plato de corte se encuentran dos ruedas anti-scalp (fig.34, ref.C): su altura del suelo puede ser ajustada por medio de los tres agujeros de fijación al plato de corte.

CORREAS MOTOR - EJE HIDROSTÁTICO

Se autorregulan, no se requiere regulación alguna, sólo hay que controlar la tensión de los muelles; para cambiarlas hay que desenganchar el muelle (fig. 22, ref. A y B).

CORREA PTO

¡Atención! Se trata de un tipo de correa especial. Utilizar correas originales. Para su sustitución:

- 1) Quitar la protección sobre el plato, desenroscando los dos tornillos (fig. 25).
- 2) Quitar el pasador (fig. 25, ref. A).
- 3) Girar la palanca hacia la derecha (fig. 25, ref. B).
- 4) Quitar la correa de la PTO (fig. 25, ref. C).
- 5) Cuando se vuelve a montar la correa es necesario hacerla pasar internamente a la palanca de protección de la transmisión hídrostática (como se ilustra en fig. 37, ref. A).

La correa PTO no requiere regulación alguna porque la tensión se regula automáticamente.

CORREA DEL PLATO DE CORTE

Se trata de un tipo de correa especial, de perfil doble A-A para permitir la contra-rotación de las cuchillas. La tensión de la correa se regula automáticamente por medio del muelle (fig. 34, ref. A). El muelle tiene que medir 130 mm (largo de las espiras). Para sustituir la correa, seguir las instrucciones que se dan a continuación:

1. colocar el plato de corte en la posición de corte más baja.
2. quitar la protección sobre el plato desenroscando los dos tornillos.
3. quitar el pasador (fig. 25, ref. A)
4. girar la palanca hacia la derecha (fig. 25, ref. B).
5. quitar la correa de la PTO (fig. 25, ref. C).
6. desconectar el cable del actuador eléctrico (fig. 25, ref. F).
7. desenganchar la palanquita (fig. 31, ref. B), tirar del plato hacia adelante. Antes de efectuar estas operaciones, se aconseja abrir el cesto y quitar el conducto de carga (fig. 32, ref. A).
8. quitar la polea destornillando el tornillo central (fig. 25, ref. E).
9. quitar el cárter de protección del plato desenroscando los tornillos del borde (fig. 31, ref. C).

10. desenganchar el muelle (fig. 34, ref. A)

11. sustituir la correa (fig. 34, ref. B) montándola según el esquema.

¡UTILIZAR SÓLO CORREAS ORIGINALES!

CORREA BOMBA – HIDRÁULICA

La correa que activa la bomba hidráulica se regula automáticamente (fig. 21). Para sustituirla es necesario desenganchar el muelle (fig. 21, rif. A) y destornillar los dos tornillos que sujetan a la placa de soporte de la bomba (fig. 21, rif. B).

TABLA RECAPITULATIVA DE MANTENIMIENTO						
INTERVENTOS		CADA 8 HORAS	PRIMERAS 20 HORAS	CADA 50 HORAS	CADA 100 HORAS	CADA 200 HORAS
Aceite motor	Controlar el nivel	●				
	Sustituir		●		●	
Filtro aire	Controlar	●				
	Sustituir				*	
Bujía	Controlar/registro				●	
	Sustituir					●
Aceite eje hidrostático	Controlar el nivel		●	●		
	Sustituir			(primer cambio) ●		●
Controlar que la rejilla de aspiración motor sea limpia		●				
Controlar que las aletas del motor hidráulico sean limpias		●				
Controlar afilado y fijación cuchillas		●				
Lubricar con grasa			●	●		

● intervención recomendada

* intervenir si necesario

GUÍA PARA IDENTIFICAR LOS INCONVENIENTES

CAUSA	SOLUCIÓN
-------	----------

Con la llave en posición de arranque (AVV.), el tablero de mandos queda apagado

- | | |
|---|---|
| <ul style="list-style-type: none"> - La batería no suministra corriente alguna | <ul style="list-style-type: none"> - Controlar los cables de conexión - Recargar la batería - Cambiar el fusible |
|---|---|

El tablero de mandos se enciende, pero con la llave en pos. AVV. el motor de arranque no gira

- | | |
|---|--|
| <ul style="list-style-type: none"> - La batería no suministra corriente suficiente - Falta el asenso para la puesta en marcha | <ul style="list-style-type: none"> - Recargar la batería - Pedal de avance en posición "STOP" - Desactivar las cuchillas - Sentarse en el puesto de conducción |
|---|--|

Puesta en marcha difícil o funcionamiento irregular del motor

- | | |
|--|--|
| - Problemas de carburación | - Limpiar o cambiar el filtro de aire |
| - Regular el carburador (según las instrucciones del manual del motor) | |
| - Depósitos o impurezas en el combustible | - Vaciar el depósito y emplear gasolina fresca |
| | - Controlar y, de ser necesario, cambiar el filtro de gasolina |
-

El motor de arranque gira pero el motor no se pone en marcha

- | | |
|--|---|
| - Falta del flujo de gasolina | - Controlar que el estérter esté accionado (si el motor está frío) |
| | - Controlar el nivel del depósito |
| | - Controlar (y de ser necesario cambiar) el filtro de gasolina |
| | - Controlar que el respiradero del tapón del depósito no esté obstruido |
| - Insuficiencia en el sistema de encendido | - Controlar la fijación de los capuchones de las bujías |
| | - Controlar la limpieza y la distancia correcta entre los electrodos |
-

Baja del rendimiento del motor durante el corte

- | | |
|--|---|
| - Velocidad de avance elevada en relación con la altura de corte | - Reducir la velocidad |
| | - Subir de unas muescas el plato de corte |
-

Activando las cuchillas, el motor se apaga

- | | |
|--|--|
| - Falta el asenso a la activación de las cuchillas | - Controlar el microinterruptor cesto lleno |
| | - Controlar el microinterruptor cesto cerrado |
| | - Conductor sentado en el puesto de conducción |
-

Corte irregular y recogida insuficiente

- | | |
|--|---|
| - Plato de corte no paralelo al terreno | - Controlar la presión de los neumáticos |
| | - Restablecer el paralelismo del plato |
| - Ineficacia de las cuchillas | - Controlar que las cuchillas estén bien montadas |
| | - Afilar o cambiar las cuchillas |
| - Velocidad de avance elevada en función de la altura de corte y de las condiciones del césped | - De ser posible, cortar la hierba cuando está seca |
| | - Reducir la velocidad de avance |
| | - Limpiar la rejilla dentro del cesto |
-

Vibraciones durante el funcionamiento

- | | |
|---|---|
| - Cuchillas desequilibradas | - Equilibrar o cambiar las cuchillas averiadas |
| - Fijaciones flojas de los tornillos de fijación del motor y del chasis | - Controlar y ajustar los tornillos de fijación de las cuchillas, así como los del motor y del chasis |
-

CHOQUE CON UNA PIEDRA U OTRO CUERPO EXTRAÑO

- Detener la máquina
- Apagar el motor, desenganchar el plato de corte y controlar que las cuchillas no sean deformadas. De ser necesario, sustituir las (fig. 26).

IMPORTANTE

Para desplazar la máquina con el motor apagado, activar la válvula de derivación por medio de la palanca (fig. 27, ref. A).

FRENO DE ESTACIONAMIENTO MECÁNICO

El freno de estacionamiento se acciona tirando la palanca (fig. 3, n.7) hasta la posición de "aparcamiento" indicada por la "P". Es necesario mantener registrado el cable (fig. 28B, ref. A). Para desactivarlo, llevar la palanca hacia adelante. Con el freno de estacionamiento activado y la PTO desactivada el usuario puede abandonar el puesto de conducción sin que el motor se apague.

¡Atención! No deje la máquina estacionada con el motor encendido.

REGULACIÓN DE LA POSICIÓN DE PUNTO MUERTO

Activar suavemente el pedal de pre-selección de la velocidad (fig.1, n.1): pisando el pedal en el punto (A) la máquina avanza; presionando el punto (B), la máquina retrocede; abandonando el pedal, la máquina se detiene. Si la máquina no se detiene por completo, es posible regular la posición de punto muerto por medio del registro (fig. 46). Realizar esta operación con el motor en marcha, con la máquina puesta en seguridad sobre 2 caballetes y con las ruedas delanteras levantadas del suelo. Retirar el capó de la columna de dirección, aflojar los dos tornillos (fig.46, ref. A) y ajustar la placa metálica que bloquea el muelle de avance (fig.46, ref. B) hasta obtener el paro completo de las ruedas. Volver a apretar los dos tornillos (**Estas operaciones tienen que ser efectuadas por un taller autorizado Grillo**).

¡Atención! Esta regulación tiene que ser llevada al cabo de manera gradual, con pequeñas correcciones cada vez. Aumentando el recorrido de la palanca sobre la transmisión hidrostática por medio de la varilla conectada al pedal, se aumenta la potencia a las ruedas (**Estas operaciones tienen que ser efectuadas por un taller autorizado Grillo**).

CESTO DE RECOGIDA DE LA HIERBA

Los cilindros hidráulicos que levantan y basculan el cesto son regulables, hay que prestar atención que el cesto no venga forzado contra los tampones de final de carrera. La barra del paralelogramo (fig. 40, ref. B) tiene las roscas a la derecha y a la izquierda que pueden ser reguladas para que el cesto se acople bien con el conducto de carga (fig. 32, ref. A). Los soportes de fijación del conducto de carga pueden ser también regulados (fig. 32, ref. B). Esta operación tiene que ser efectuada con el cesto cerrado. El cilindro hidráulico que efectúa la descarga del cesto puede ser regulado para que el cesto apoye a los tampones delanteros. Atención! No fuerce el cesto sobre los tampones, sólo tiene que apoyarse sobre esos.

EJE TRASERO

Lubricar con grasa las articulaciones. En caso de desgaste anómalo de los neumáticos, alinear las ruedas traseras con las ruedas delanteras por medio de una barra niveladora y regular las tuercas (fig.33, ref. C)

DISTRIBUIDOR ELÉCTRO-HIDRÁULICO

El distribuidor electro-hidráulico (fig. 13 ref. E) está compuesto por tres bloques mantenidos juntos por 4 tirantes con tuercas con par de apriete de 5 N/m. Si no se respecta dicho serraje, el distribuidor se bloquea.

INSTALACIÓN ELÉCTRICA

La instalación eléctrica está protegida por dos fusibles: uno de 16A/h, colocado en el tablero de mandos (fig. 2, ref. 6) que protege todas las funciones. Si se interrumpe, se pondrá en marcha sólo el motor. Un segundo fusible de 25A/h está colocado cerca del distribuidor electro-hidráulico en la instalación. Si se interrumpe provoca la ineficacia total de la instalación (fig. 29, ref.A). Tras haber identificado y reparado la avería, cambiar el fusible averiado por otro de igual capacidad. No cambiar nunca los fusibles con otros de capacidad diferente. Si los inconvenientes persisten tras haber realizado las operaciones detalladas anteriormente, dirigirse a un Centro de Asistencia Autorizado. No tratar nunca de realizar

reparaciones dificultosas sin tener los medios y los conocimientos técnicos necesarios. En caso de avería del motor o de la batería, es posible abrir el cesto manualmente: introducir el contacto llave de arranque y sentarse sobre el asiento; la válvula hidráulica se descarga, presionar el pulsador de abertura del cesto (fig. 5, n. 13) y abrir el cesto manualmente.

La batería se encuentra debajo del cesto de recogida, en la parte posterior de la máquina (fig.33, ref. A). En caso de avería, es posible retirarla y recargarla.

FUNCIONAMIENTO DE LOS PRINCIPALES DISPOSITIVOS DEL SISTEMA ELÉCTRICO

- 1) Un sensor de seguridad detecta si el cesto está en posición de trabajo (fig. 13, ref. F). En caso contrario las cuchillas no se embragan.
- 2) Sobre el pedal de avance hay un micro-interruptor que detecta la posición de parada para el arranque (fig. 30, ref. A).
- 3) Sobre la palanca de freno de estacionamiento hay un sensor (fig. 28A, ref. A) que detecta cuando el freno está embragado y permite al motor de quedarse arrancado también cuando el operador no está sentado en el puesto de conducción. El motor se para cuando se apreta el pedal del avance con el freno accionado.
- 4) En una extremidad del cable del embrague electromagnético (fig. 12, ref. B) se encuentra un diodo que impide los retornos de corriente.
- 5) Dentro del cesto se encuentra un micro interruptor móvil que desactiva las cuchillas cuando el cesto está lleno (fig. 38, ref. A).
- 6) Dentro de la columna de dirección hay una unidad de control (fig. 36) que comanda la gestión de todas funciones eléctricas como la toma de fuerza, las seguridades y el asenso al arranque y un relé que comanda la activación de los pulsadores eléctricos (fig. 35, ref.A).

FIN DEL TRABAJO

Una vez terminado el corte, desembragar las cuchillas. Para detenerse quitar el pie del pedal (fig. 1 n. 1), llevar la palanca del acelerador al mínimo, apagar el motor girando la llave (fig. 4, n. 15) en la posición de STOP. Accionar el freno de estacionamiento (fig. 3, n. 7) tirando la palanca hasta la posición de “aparcamiento” indicada por la “P”.

LIMPIEZA

Para lavar el interior del plato: efectuar esta operación sobre una superficie sólida; conectar un tubo del agua en el punto indicado (fig. 31, ref. A) y dejar correr el agua durante algunos minutos. Durante estas operaciones:

- el operador tiene que estar sentado en el puesto de conducción;
- el motor tiene que estar en marcha;
- la transmisión tiene que estar en punto muerto;
- la cuchilla tiene que estar embragada.

Al final de esta operación, limpiar la rejilla del cesto y el conducto de carga

¡Atención! la rejilla del cesto limpia es indispensable para una recogida eficaz, incluso en condiciones difíciles.

Durante la limpieza es oportuno mantener el plato en la posición más baja.

No lavar el alojamiento del motor y el eje hidrostático con hidrolimpiadora: utilizar aire comprimido o una aspiradora.

CONDUCTO DE CARGA

Es posible desmontar el conducto de carga (fig. 32, ref. A): tras abrir el cesto de recogida, levantar los dos ganchos rojos de seguridad (fig. 32, ref. C) y tirar el conducto de carga hacia arriba.

TIRANTE DE TRACCIÓN

Se utiliza para conectar un pequeño remolque o un rodillo compactador para un campo deportivo (fig. 33, ref. B). Capacidad de tracción: max. 130 kg en superficies llanas. Utilizar la máquina a velocidad baja y prestar siempre la máxima atención.

KIT MULCHING - Instrucciones de montaje

- Quitar y conservar las dos cuchillas incluidas en el equipamiento del plato.

Atención: el tornillo de la cuchilla derecha tiene rosca a la izquierda.

- Fijar las dos cuchillas mulching (fig. 43, ref A y B) incluídas en el kit con las mismas tuercas quitadas anteriormente y con los distanciadores incluidos en el kit mulching (fig. 44, ref. D).

- Colocar la chapa mulching negra (fig. 43, ref. C) en correspondencia del conducto de carga del plato y llevarlo a tope en la parte terminal del mismo, prestando atención a centrarlo en relación a los ejes de rotación de las dos cuchillas.

- Fijar la chapa mulching negra en la parte superior del plato por medio del soporte (fig. 45, ref. E), de la varilla (fig. 45, ref. F) y su arandela y la tuerca.

INDICACIONES Y SUGERENCIAS PARA EL CORTE MULCHING

- Aconsejamos cortar el cespced sólo cuando la hierba esté seca para favorecer la descarga de esta por el plato de corte.

- En caso de que sea necesario cortar hierba mojada, levantar ligeramente el plato para favorecer la circulación del aire.

- Periódicamente durante el trabajo, suspender el corte y pasar con las cuchillas embragadas en las áreas ya cortadas. De esta manera se permite al material acumulado dentro del plato de distribuirse uniformemente sobre el céspced.

- Una vez terminado el trabajo, se aconseja no parar inmediatamente la rotación de las cuchillas, ya que estas descargarían la hierba toda en un área, sino seguir trabajando en una superficie ya cortada así que el plato pueda descargarse.

- **Importante: hay que respetar siempre la regla del tercio.** Nunca cortar más de un tercio de la longitud de la brizna de hierba cada vez.

- Según el caso puede ser necesario pasar más de una vez.

- Reducir la velocidad de avance de manera que no se cargue excesivamente el plato y cortar con las cuchillas a la máxima velocidad de forma que se desmenuza rápidamente la hierba.

- Cortar siempre con las cuchillas afiladas. En caso de desgaste afilar o sustituir según la necesidad.

ESTACIONAMIENTO E INACTIVIDAD PROLONGADA

Guardar la máquina en un medio ambiente seco, al reparo de la intemperie y, posiblemente, cubriéndola con una lona. Si se prevé un tiempo de inactividad prolongado (superior a 1 mes), proceder con la desconexión del cable negativo de la batería y seguir las indicaciones detalladas en el manual de instrucciones del motor; lubricar además todas las articulaciones. Controlar periódicamente que el voltaje de la batería no descienda por debajo de 12 Voltios y en tal caso proceder con la recarga.

Si se prevé un periodo prolongado de inactividad (superior a un mes), es necesario vaciar el motor del combustible para prevenir la formación de depósitos gomosos en el sistema de alimentación o en partes vitales del carburador. Si se quiere evitar esta operación, es posible prolongar la conservación del combustible en almacenamiento hasta 12 meses añadiendo el aditivo estabilizante para gasolina. Mezcle el aditivo al carburante en el depósito o en el recipiente del carburante. Ponga en marcha el motor por un tiempo para hacer circular el aditivo en el sistema de alimentación. **Nota:** si el motor lleva gasolina con alcohol, vacíe el depósito haciendo funcionar el motor hasta que se vacíe por completo.

ADVERTENCIAS POR EL TRANSPORTE

Si la máquina es transportada con un camión o un remolque, bajar el plato de corte, accionar el freno de estacionamiento y amarrar la máquina al medio de transporte con cuerdas, cables o cadenas. En caso se rinda necesario levantarla, las cuerdas deben ser bien enganchadas a los puntos indicados por las flechas (fig. 42). Asegurarse que grúas, polipastos y cuerdas tengan la capacidad de levantamiento suficiente. El peso total de la máquina es de 400 Kg.

FD450

FRONTALE GRASMAAIER MET OPVANGBAK

Geachte klant,

Wij danken u voor uw vertrouwen en de keuze voor onze Grillo FD 450. Wij zijn ervan overtuigd dat het gebruik van uw nieuwe machine volledig aan uw verwachtingen zal voldoen.

Wij verzoeken u om de aanwijzingen in deze handleiding aandachtig te lezen en op te volgen voor een optimaal gebruik en voor het onderhoud. Op die manier zullen de uitstekende resultaten ongewijzigd blijven en zal u uw aankoop lange tijd kunnen behouden. Gelieve deze handleiding altijd bij de machine te laten en goed te bewaren.

ALGEMENE BESCHRIJVING EN VOORZIENE GEBRUIK

De machine Grillo FD 450 is een zitmaaier, ontworpen om het gras te maaien en op te vangen en om bladeren weg te nemen.



AANDACHT! Aandachtig lezen vooraleer de motor te starten. De volgende aanwijzingen zijn belangrijk voor de veiligheid van de gebruiker!

WAARSCHUWINGEN

Voorzichtigheid is de vuistregel om ongevallen te voorkomen. Wij raden u sterk aan om de volgende waarschuwingen voor het gebruik van de grasmaaier aandachtig te lezen vooraleer de werkzaamheden aan te vatten. Een onjuist gebruik van de grasmaaier en zijn uitrusting kan gevaarlijk zijn. Om dit gevaar te beperken, moet u de nodige voorzorgen naleven die hierna worden vermeld:

- 1) Lees deze handleiding volledig vooraleer de grasmaaier aan te zetten en ermee te rijden.
- 2) Besteed bijzondere aandacht aan de verwittigingen en aan de veiligheidsetiketten op de grasmaaier.
- 3) De rotatie van het maaimes van de grasmaaier is zeer gevaarlijk, **steek uw handen of voeten nooit onder het maaidek van de grasmaaier.**
- 4) Vooraleer anderen met de machine te laten werken, moet u hen op de hoogte brengen van de veiligheidsnormen en hoe de machine te gebruiken.
- 5) **Vooraleer de werkzaamheden aan te vatten, moet u geschikte werkkledij aantrekken en handschoenen, veiligheidsschoenen en een veiligheidsbril dragen.**
- 6) Draag tijdens het werken geschikte middelen om uw gehoor te beschermen (koptelefoon).
- 7) Vooraleer de machine aan te zetten, moet u controleren of er geen personen in de buurt zijn; let vooral op kinderen.
- 8) Vooraleer achteruit te rijden, moet u controleren of er geen personen of obstakels in de weg staan.
- 9) Controleer het terrein vooraleer met het maaien te beginnen. Er mogen geen keien, stokken of vreemde voorwerpen liggen, omdat die ver kunnen worden weggeslingerd, wat zeer gevaarlijk kan zijn.
- 10) Als u op een vreemd voorwerp stoot, moet u het maaimes loskoppelen, de motor stilleggen, de contactsleutel wegnemen en de grasmaaier inspecteren. Als de machine trilt, moet u die laten repareren.
- 11) Vooraleer van de grasmaaier te stappen, moet u de PTO (Power Take-Off = aftakas) loskoppelen, de motor uitzetten, de contactsleutel wegnemen en het maaidek van de grasmaaier naar beneden brengen op de laagste stand.
- 12) Rijd traag op lanen met een losse ondergrond.
- 13) Op hellingen moet u uw snelheid matigen terwijl u naar beneden rijdt.
- 14) Bergaf dient u een bocht altijd traag te nemen.
- 15) De gebruiker is altijd verantwoordelijk voor schade die aan derden wordt berokkend.
- 16) Vervormde of beschadigde maaimessen moeten altijd worden vervangen. Nooit repareren.
- 17) Gebruik altijd originele reserveonderdelen en accessoires van GRILLO.
- 18) Werk alleen bij zonlicht of met een goede kunstmatige verlichting.
- 19) Bewaar de brandstof in specifiek hiervoor ontworpen recipiënten.
- 20) Let op wanneer u in de buurt van een straat werkt.
- 21) De bak alleen optillen en leegmaken wanneer de machine stilstaat en op een vlakke ondergrond staat.
- 22) Laat de motor eerst afkoelen vooraleer de machine in gesloten lokalen te stallen.

TE VERMIJDEN VERKEERD GEBRUIK

- 23) Neem geen passagiers mee op de machine
- 24) Laat te jonge tieners niet met de machine werken; verboden voor personen jonger dan 16 jaar.
- 25) De machine niet gebruiken wanneer u moe bent; geen alcohol drinken.
- 26) Niet werken met de grasmaaier in de buurt van grachten of bermen die het onder het gewicht van de machine kunnen begeven, vooral wanneer het oppervlak is losgekomen of nat is.
- 27) Vermijd dat er brandstof lekt; na het vullen van de brandstoftank moet u alle gemorste brandstof op de machine wegnemen vooraleer de motor te starten.
- 28) Niet knoeien met de veiligheidsvoorzieningen of deze deactiveren.**
- 29) De afstellingen van de motor niet wijzigen, in het bijzonder het max. toerental.
- 30) Plaats geen gewichten op de bestuurdersstoel, op die manier zou de veiligheidsvoorziening van het starten gedeactiveerd kunnen worden.
- 31) Voer geen enkele vorm van afstelling of reiniging uit terwijl de motor draait.
- 32) Laat de machine door niemand controleren terwijl u aan het stuur zit en de motor draait.
- 33) De machine niet verplaatsen zonder maaidek, hierdoor kan de machine gaan steigeren, wat zeer gevaarlijk is.
- 34) Vervang versleten of beschadigde knaldempers.

VERDERE VOORZORGEN VOOR DE VEILIGHEID

Het kan gebeuren dat bovenstaande waarschuwingen niet voldoende zijn om alle risico's te vermijden wanneer de gebruiker zich niet zou houden aan het correcte gebruik van deze grasmaaier. Wij wijzen daarom op het volgende, zodat u een grotere voorzichtigheid aan de dag kunt leggen:

- 35) De rotatie van het maimes van de grasmaaier is zeer gevaarlijk, steek uw handen of voeten nooit onder het maaidek van de grasmaaier.**
- 36) Rijd niet achteruit terwijl de motor op hoog toerental draait.
- 37) Het is gevaarlijk bruusk aan het stuur te draaien terwijl de motor op hoog toerental draait.
- 38) Vooraleer de motor te starten, moet u de tank met brandstof vullen. Vul alleen brandstof bij in openlucht, zet de motor altijd uit, blijf uit de buurt van vonken of vlammen, niet roken! Zorg dat de dop goed terug op de tank zit en doe de brandstofrecipiënten goed dicht.
- 39) Als u de brandstoftank moet leegmaken, dient u dit in openlucht uit te voeren.
- 40) Als u kinderen heeft, dient u de contactsleutel altijd te verbergen wanneer u de machine niet gebruikt.
- 41) **AANDACHT:** om brandgevaar te beperken, moet u de motorkamer, de knaldemper, de uitlaatcollectoren, de accu, de zone van de brandstoftank en de brandstofleidingen vrij te houden van gras, bladeren, stof...
- 42) De machine niet stallen in een gebouw waar de brandstofdampen bij vlammen, vonken of blootliggende elektrische draden kunnen komen.
Ontkoppel de transmissie van het maaidek, zet de motor uit en koppel de bougies los:
 - a) vooraleer de verstopte punten schoon te maken**
 - b) vooraleer de grasmachine te controleren of te repareren.**
 - c) nadat u op een vreemd voorwerp bent gestoten (inspecteer het maaielement om te controleren of die niet beschadigd is, desgevallend repareren vooraleer de machine weer in werking te stellen).**
 - d) als de machine abnormaal begint te trillen, moet u onmiddellijk een algemene controle uitvoeren om de reden te vinden die dit probleem veroorzaakt: vraag indien nodig de interventie van een erkend servicepunt van GRILLO.**

IDENTIFICATIE EN ONDERHOUD



IDENTIFICATIE

De machine is uitgerust met een label met het serienummer, aangebracht op het frame. Dit nummer is noodzakelijk voor iedere aanvraag voor technische interventie en voor het bestellen van reserveonderdelen.

ASSISTENTIEDIENST

Deze handleiding geeft aanwijzingen voor het gebruik van de grasmaaier. Neem contact op met uw plaatselijke verkoper voor een correct onderhoud.

RESERVEONDERDELEN

Het is aanbevolen om uitsluitend originele reserveonderdelen te gebruiken, deze onderdelen zijn de enige die dezelfde veiligheidskenmerken vertonen en gemakkelijk te vervangen zijn. Iedere aanvraag moet vergezeld zijn van het serienummer van de machine en het codenummer van het te vervangen stuk. Voor de reserveonderdelen van de motor dient u zich te houden aan de bepalingen in de specifieke handleiding.

GARANTIE

De garantie wordt geleverd op de manieren en binnen de limieten die door de geldende wetgeving worden bepaald. De verkoper moet verplicht het garantiecertificaat van de machine aan de eindklant overhandigen en een kopie van de registratie op de website van Grillo afdrukken. Wat de motor betreft, gelden de condities voorzien door de respectievelijke producenten.

RESERVEONDERDELEN DIE WE AANRADEN OM IN VOORRAAD TE HEBBEN

- 1 set maaimessen
- 1 set riemen
- 1 luchtfilter voor de motor
- 1 oliefilter voor de motor
- 1 gaskabel

HOE RESERVEONDERDELEN BESTELLEN

Geef altijd het serienummer van de machine en de code van het te vervangen stuk op. Wend u tot onze Grillo-centra.

Ons adres voor meer informatie is:

GRILLO S.p.A.
 Via Cervese 1701 - 47521 CESENA (FC)
 Tel. 0547.633.111 / Fax 0547.632.011
 Website: www.grillospa.it / e-mail: grillo@grillospa.it

TECHNISCHE KENMERKEN

MOTOR: - BRIGGS & STRATTON, **7220 Professional Series**, 18Pk (@ 3300 r.p.m.), OHV, 656 cc twee cilinders, 4-takt met benzine, oliepomp.

STARTEN: elektrisch met accu 12 V.

SCHAKELING: hydrostatische transmissie met differentieelblokkering.

DIFFERENTIEELBLOKKERING: mechanisch met pedaal bediend.

SNELHEID: 0 – 11 km/u in vooruit en 0 – 6 km/u in achteruit met pedaal bediend.

TANK: 17 liter – **RESERVE:** 2,5 liter.

VERBRUIK PER UUR: 4,6 liter.

MAAIDEK: frontaal met 3 maaimessen voor een totale maaibreedte van 1190 mm. Voorzien van steunwielen met volle banden.

MAAIBREEDTE: 1130 mm.

MAAIHOOGTE MET CONTINUE ELEKTRISCHE INSTELLING: van 25 mm tot 90 mm.

KOPPELING: Elektromagnetische PTO (Power Take-Off = aftakas) met magnetische rem op de

maaimessen.

BESTURINGSSYSTEEM: met een stuur, vooruit en achteruit rijden via pedaal.

VERSTELBARE STOEL: met verstelbare ophanging.

BAK: 450 liter met automatische sluiting en automatische vulsensor.

BAK LEEGMAKEN EN MAAIDEK OPTILLEN IS HYDRAULISCH AANGEDREVEN VIA ELEKTRISCHE BEDIENINGSKNOPPEN.

UITKIEPHOOGTE: 170 cm - **ACHTERBOUW:** 45 cm.

BANDEN vooraan: 20x10.0-8; achteraan: 15x6.0-6.

PARKEERREM: met schijf.

DRAAICIRKEL : 25 cm.

CAPACITEIT PER UUR: 8000 m²/u (indicatief).

STANDAARD: trekhaak.

ACCESSOIRES: mulching kit.

AFMETINGEN : Lengte: 2680mm Breedte: 1190mm Hoogte: 1450mm

GEWICHT: 400kg

DE MACHINE IN WERKING STELLEN

- 1) Controleer de integriteit van de machine, inspecteer of de machine tijdens het transport geen schade heeft opgelopen.
- 2) Controleer het peil van de motorolie. (SAE30)
- 3) Controleer de bandenspanning:
Voorwielen 20 x10.0-8 (1 BAR)
Achterwielen 15x 6.0 - 6 (1,2 BAR)
- 4) Controleer de spanning van de accu, die mag niet minder dan 12 Volt bedragen, eventueel moet u de accu opladen. **BELANGRIJK!!!** Tijdens de montage moet u vermijden om de polariteit van de accu om te wisselen. De motor niet starten als de accu niet aangesloten is.
- 5) Aandacht! Bij de hydrostatische transmissie bevindt het visuele niveau zich aan de kant van de tank (fig.14, ref. A). Gebruik 20W50 motorolie.

ACCU - AANDACHT!

De gassen die uit de accu vrijkomen, kunnen ontploffen; houd de accu uit de buurt van vlammen of vonken. Controleer de klemmen regelmatig en houd ze gesmeerd met vaselinevet.

INRIJPERIODE- AANDACHT!!

Vervang de motorolie na de eerste 20 werkuren (SAE30). Vervang de olie in de hydrostatische as na de eerste 50 werkuren. Controleer of er geen olie lekt of schroeven zijn losgekomen, vooral de schroeven die de maaimessen bevestigen. **Aandacht! De centrale schroef van het rechter maimes is linkse draad.**

GEBRUIKSINSTRUCTIES

Vooraleer de motor te starten, moet u altijd het volgende controleren:

- of de koelvinnen van de hydrostatische transmissie goed schoongemaakt zijn (fig. 18).
- of de aanzuigroosters voor de koeling van de motor goed schoongemaakt zijn (fig.13, ref. A).
- of het oliepeil van de motor voldoende is: de controle dient te gebeuren door de dop aan te schroeven (fig. 13, ref. B).
- het pedaal voor preselectie van de snelheid niet indrukken (fig.1, ref.1).
- of de schakelaar van de aftakas uit staat (fig.2, ref.3).
- of de filter goed schoongemaakt is (fig. 6).
- Om de motor te inspecteren, brengt u de bak van de machine omhoog en plaatst u de rode veiligheidstops op de hydraulische hefcilinders (fig. 40, ref. A).
- Om de stops te positioneren, drukt u op de knop (fig. 39, ref. A) en daarna maakt de stops vast aan de verchroomde stang van de hefcilinder. De inrichting blijft via een magneet op zijn plaats.
- of het maaidek van de grasmaaier goed schoongemaakt is (fig. 26).
- of het net vanbinnen in de bak schoongemaakt is (fig. 7).
- Vul de brandstoftank met behulp van een trechter voorzien van een zeer fijne filter (fig. 5, ref. 14).
- Regel de positie van de stoel met behulp van de inrichtingen (fig. 3 ref.10).

DE BENZINEMOTOR STARTEN

Duw de gashendel tot halverwege (fig. 3, ref. 8). Als de motor koud is, bedient u de gashendel van de starter (fig.3, ref. 9). Draai aan de contactsleutel op het instrumentenbord (fig.4 , ref. 15); zodra de motor start laat u de sleutel weer los, ontkoppel de starter en wacht enkele minuten zodat de motor kan warm draaien.

BEGINNEN TE WERKEN

Laat de motor voldoende op toeren komen, schakel de PTO-knop in (fig.2, nr.3). Regel de maaihoogte met behulp van de knop nr. 4 (fig.2). De knop (fig. 5 ref. 11) dient om het maaidek op te tillen. Tijdens het werken moet die in positie float (zwevend) worden gehouden.

Aandacht: De maaimessen niet inschakelen terwijl de motor op maximaal toerental draait. De motor moet op halve snelheid draaien. Schakel de maaimessen, enkele meters voor u in het af te rijden gras gaat rijden, in en rijd de machine traag vooruit.

INSCHAKELING VAN DE VERLICHTING

Om de verlichting in te schakelen, zet u de contactsleutel in de tweede positie (fig.4, ref. B).

BELANGRIJK: het is noodzakelijk om de verlichting alleen te gebruiken wanneer de motor gestart is, om te vermijden dat de accu leeg raakt.

BELANGRIJK

1) Regel de rijsnelheid zodat het maaidek tijdens het werken niet wordt overbelast en maai met de motor op maximaal toerental.

2) Maai altijd met scherpe maaimessen.

Wanneer ze versleten zijn, moet u ze slijpen of vervangen, naargelang de noodwendigheden.

Bedien het pedaal voor voorselectie van de snelheid (fig.1, ref.1) voorzichtig en begin te werken.

Wanneer u het pedaal in de stand (A) drukt, rijdt de machine vooruit, op het punt (B) gaat de machine achteruit rijden. Wanneer u het pedaal loslaat, valt de machine stil. De hendel (fig.3, ref.7) is de parkeerrem, in de stand (P) is die ingeschakeld. Wanneer de bak vol is, worden de maaimessen automatisch uitgeschakeld. In de grasopvangbak zit een sensor die de rotatie van de maaimessen automatisch onderbreekt wanneer de bak vol is (fig.38). U dient de bak daarom eerst leeg te maken. Dit gebeurt door van op de stuurplaats de knoppen te bedienen (fig.5, ref.12 om op te tillen en ref.13 om leeg te maken). De grote klep gaat automatisch open. U dient het rooster dat in de bak zit schoon te houden om een goede opvang te bevorderen en verstopping te vermijden (fig. 7). In de zomer en in stoffige omgevingen is het aanbevolen om in de bak de meegeleverde plastic bescherming (fig.7A) te monteren met behulp van de schroeven en de borgringen die eveneens bij de machine zitten.

SLUITING BAK

U kunt de bak inspecteren met behulp van de haak van het deksel (fig.8, ref.A): de sluiting is verstelbaar (fig.8, ref.B). Het openen gebeurt automatisch wanneer u de knop vanuit de stuurplaats gebruikt. Plaats de stang (fig.7, ref.A) wanneer u het deksel van de bak wenst open te houden voor de inspectie.

Aandacht: de maaimessen niet inschakelen wanneer het deksel geopend is!

NUTTIGE TIPS VOOR EEN GOED GEBRUIK

1. Controleer het terrein vooraleer te beginnen met maaien: er mogen geen keien, stokken of vreemde voorwerpen aanwezig zijn.

2. Houd de motor op maximaal toerental tijdens het maaien, regel de snelheid op basis van de hoogte van het gras. Let op wanneer u hoog, dicht gras tegenkomt, vertraag indien nodig.

3. Slijp de maaimessen van de grasmaaier regelmatig; het maaien wordt hierdoor beter en de motor wordt minder belast.

4. Schakel de maaimessen enkele meters voor u in het af te rijden gras gaat rijden in.

5. Maai altijd met de motor op maximaal toerental; als de toeren van de motor verminderen, moet u een ogenblikje vertragen, zodat de motor weer op het juiste toerental kan komen.

6. Gras maaien in de lengte afgewisseld met dwars maaien, uitgevoerd op een constante hoogte, zorgt dat het grasveld er beter uitziet.

7. Als de afvoer dreigt te verstopen met gras, doet u er goed aan om de rijsnelheid te verminderen. Het is immers mogelijk dat de snelheid te groot is in functie van de toestand van het grasveld. Als het probleem niet verdwijnt, is het mogelijk dat de maaimessen niet goed geslepen

zijn, dat het profiel van de vinnen vervormd is, dat de riem is gelost of dat het net van de opvangbak verstopt is.

8. Als het gras zeer hoog is, doet u er goed aan om het gras in twee keren af te doen: een eerste passage met de maaimessen op maximale hoogte, een tweede passage op de gewenste hoogte.
9. Let zeer goed op tijdens het maaien ter hoogte van struiken en in de buurt van lage boorden, die de rand van het maaidek en het maaimes kunnen beschadigen.
10. Schakel de parkeerrem in (fig.3, ref.7) als u klaar bent met werken.

MAAIPOSITIES

Bedien de knop (fig.2 ref.4) om de maaihoogte in te stellen. Wanneer het terrein oneffen is en kuiltjes of hobbels vertoont, doet u er goed aan te werken met het maaidek in de hoogste maaistand om stoten van het maaimes te vermijden. Op het achterste deel van het maaidek zijn er 3 anti-scalp wielen (fig. 26, A); hun hoogte kan aangepast worden door de bevestigingsgaten.

MES ROTATIE

Het draaien van de messen wordt gestart en gestopt met knop (fig. 2, no. 3). Als de mesrotatie ingeschakeld is moet de motor op halve snelheid draaien en de machine moet zich buiten het te maaien oppervlak bevinden. Start nooit de messen met de motor op maximaal toerental. De machine is uitgerust met een elektromagnetische koppeling welke ook de messen remt tijdens het ontkoppelen. De messen moeten stoppen binnen de 5 seconden na het ontkoppelen. Als dit niet het geval is, pas dan de 3 moeren van de elektromagnetische koppeling aan door een 0.3mm voelmaat onder de replaat te plaatsen. **N.B. Dit moet uitgevoerd worden door een erkend service center. Gebruik de machine niet als de messen niet binnen de 5 seconden stoppen na de ontkoppeling met de motor op maximaal toerental.**

HELLENDE TERREINEN

Steile terreinen moeten in de mate van het mogelijke in de richting omhoog/omlaag worden bereiden. Let zeer goed op wanneer u van rijrichting verandert, de wielen die naar boven gericht zijn en ze mogen niet tegen obstakels botsen (keien, takken, wortels, enz.) waardoor u de controle over de machine kunt verliezen. Als de aandrijfwielen dreigen te slippen, regelt u de twee veren voor het zweven van het maaidek zodat die meer gewicht op de aandrijfwielen brengen, en bijgevolg ook meer trekkracht uitoefenen (fig. 10). Beoordeel de verschillende situaties en let op wanneer het terrein vochtig is en het gras nat is, omdat de machine kan wegschuiven. Start traag om naar beneden te rijden en vermijd om over droog of afgereden gras te rijden omdat de wielen hun hechtingsvermogen verliezen. Deze machine niet gebruiken op hellingen van meer dan 12° (21%). Als de wielen neigen te slippen, gebruikt u de differentiaalblokkering (fig.1, ref.2).

URENTELLER

De machine is uitgerust met een urenteller met 3 verschillende functies:

- 1) Hij laat altijd het aantal gewerkte uren zien, zelfs als de sleutel niet in het contact zit.
- 2) Hij laat het aantal uren zien tot de volgende olieerversing (OIL CHANGE IN...HS). De eerste olieerversing moet gebeuren na de eerste 20 werkuren, daarna elke 100 werkuren. De indicator "OIL CHANGE" knippert automatisch als het nodig is de olie te verversen.
- 3) Hij laat het aantal uren zien tot de volgende smering (LUBE IN...HS). Smering moet uitgevoerd worden elke 40 werkuren. De smeerindicator "LUBE" knippert automatisch wanneer de smering uitgevoerd moet worden.

Door op de witte knop te drukken kan je de functie kiezen die op de uurteller weergegeven moet worden.

- 4) Om de urenteller te resetten na een olieerversing of een smering, ga je als volgt te werk: Druk op de knop tot het respectievelijk alarm weergegeven wordt (OIL CHANGE IN...HS of LUBE IN...HS). Hou dan de knop 6 seconden lang ingedrukt tot het alarm stopt met knipperen.

INTERVENTIES VAN DE VEILIGHEIDSVORZIENINGEN

Denk er altijd aan dat de motor stilvalt telkens:

- de bediener van de stoel komt als de parkeerrem is uitgeschakeld en de PTO is ingeschakeld.

Bovendien start de motor niet als:

- de maaimessen niet ingeschakeld zijn
- u niet op de stuurplaats neerzit en de parkeerrem niet is ingeschakeld;
- het rijpedaal niet in de stopstand is;

Als u vooruit rijdt met de parkeerrem ingeschakeld, valt de motor stil.

ONDERHOUD EN SMERING

AANDACHT!

- **Koppel de bougies los vooraleer interventies voor schoonmaak, onderhoud of reparatie uit te voeren. Draag geschikte kledij en werkhandschoenen.**
- **Wanneer u de machine of een deel ervan optilt, moet u altijd geschikte werktuigen gebruiken, zoals steunen of veiligheidsstops.**
- **Laat de machine niet in onderhoud zonder beveiligingen of opgetild, op plaatsen die toegankelijk zijn voor onervaren personen, vooral kinderen.**
- **Afgewerkte olie, benzine, diesel of om het even welke vervuilende producten mogen niet in het milieu worden verspreid!**
- **Een efficiënt onderhoud en een correcte smering dragen bij om de machine in perfect efficiënte staat te houden.**

MOTOR

Volg de normen in de handleiding van de motor voor de frequentie van de smerbeurten. Gebruik 2,2 liter SAE 30 olie voor de motor INTEK 7220 PROFESSIONAL SERIES. Controleer regelmatig het oliepeil (fig.13, ref.B). Vervang steeds de olie en de oliefilter (fig.13, ref.C). Om olie af te laten, gebruik een blokkeersleutel op het vaste gedeelte (fig.11); Plaats preventief een rubberen slang en laat de olie af in een recipient. Bescherm de riemen om te vermijden dat die met de olie in contact komen.

De eerste voorzorg is dat de motor correct wordt onderhouden samen met de luchtfilter, koelvinnen, schoongemaakte kop en motorolie op peil. Controleer de luchtfilter iedere 4 uur of vaker als de omgeving erg stoffig is (fig.6). Controleer het netrooster van de aanzuiging van de koeling van de motor, die altijd schoon moet zijn (fig.13, ref.A).

HYDROSTATISCHE AS

Controleer het peil wanneer de motor koud is via het kijkgat (fig.14, ref.A) en de niveaumeter op de kap van de hydraulische tank (fig. 16, A). Maak de koelvinnen van de hydraulische motor en de ventilator (fig.17) regelmatig schoon tijdens de zomer, als er veel stof is, iedere 4 werkuren. Vervang de olie na de eerste 50 werkuren, gebruik vervolgens iedere 200 uur 6 liter motorolie 10W60 of 20W50. Ga als volgt te werk om te vervangen:

- 1) Verwijder de twee aflatdoppen (fig.15, ref. A en B).
- 2) Verwijder de motorkap aan de linkerkant (fig.16) om bij de dop te komen om olie in de tank te doen.
- 3) Schroef de filter los, maak de filter schoon of vervang indien nodig (fig.12, ref.A)
- 4) In de tank zit een hydraulische filter (fig.14, ref.B) die geen speciaal onderhoud vereist.
- 5) Schroef de twee doppen aan (fig.15).
- 6) Voer het aflaten uit: bedien de bypass klep (fig.27) zodat de olie uit het hydrostatische hoofdcircuit kan wegstromen. Verwijder de dop op de hydrostatische transmissie zodat de lucht naar buiten kan (fig.19, ref.A).
- 7) Verwijder de aansluiting op de hydrostatische overbrenging (fig. 18, A) en vul de hydrostatische kamer met olie (fig. 18 – HYDRO CHAMBER).
- 8) Verwijder de kap op de hydrostatische overbrenging (fig. 19, A) en vul de tandwielkast met olie (fig. 18 – GEAR CHAMBER).
- 9) Zet de kap terug vast en plaats de aansluiting terug, vul dan de tank met olie (fig. 16, A).
- 10) Spoel de hydrostatische overbrenging als volgt:
 - a) Zet de machine in een stevige en veilige positie met de voorste wielen van de grond, zorg er voor dat de by-pass klep geactiveerd is, zet de motor aan, wacht een paar minuten en schakel dan herhaaldelijk de voorwaartse en achterwaartse versnelling in door op pedaal (fig. 1, n. 1) te duwen.
 - b) deactiveer de by-pass klep (fig. 27, A) door er aan te trekken en schakel dan herhaaldelijk de voorwaartse en achterwaartse versnelling in door op pedaal (fig. 1, n. 1) te duwen.
 - c) Zet de machine terug op de grond en controleer of de machine correct vooruit rijdt en stopt: Bij slechte prestatie, verlies van tractie of geluiden die van de hydrostatische as komen, herhaal dan de spoeling (zie punt no. 10).
- 11) Controleer het niveau door middel van de peilstok (fig. 14, A) en de niveaumeter op de kap van

de hydraulische tank (fig. 16, A). Indien nodig voeg nieuwe olie toe.

BELANGRIJK: Deze operatie moet uitgevoerd worden in een propere omgeving om te voorkomen dat onzuiverheden of zand in de hydrostatische as terecht komen en zo schade kunnen veroorzaken. Om de olie in de hydrostatische as te vervangen, is het aanbevolen zich te wenden tot een erkende GRILLO-werkplaats.

AS ACHTERWIELEN

De scharnierspinnen van de achterwielen (fig. 41A) iedere 20 uur met vet smeren. Smeer ook de scharnierpunten van het stuur.

DIFFERENTIAALBLOKKERING

Druk op het pedaal (fig.1, ref.2) om in te schakelen. Stel de kabel en de stang voor bediening bij zodat het inschakelen en uitschakelen correct plaatsvinden (fig.9). Wanneer u het pedaal loslaat, moet de differentiaal vrij zijn. De blokkering niet gebruiken wanneer u een bocht neemt, zo wordt een grote belasting op de componenten van de differentiaal veroorzaakt.

DE MAAIMESSEN SLIJPEN

Een bot mes rukt het gras los, waardoor het grasveld er lelijk uitziet. Het slijpen dient altijd gebeuren op de snijdende kant van het maimes. Als die versleten is, moet u het maimes vervangen. Hiervoor is het aanbevolen om het maaidek van de machine los te haken (fig.26); dit doet u als volgt:

1) Regel het maaidek in de laagste maaiestand.

2) Verwijder de bescherming boven het maaidek door de twee schroeven los te draaien (fig.25).

3) Verwijder de splitpen (fig.25, ref.A).

4) Draai de hendel (fig.25, ref.B) linksom.

5) Verwijder de PTO-riem (fig.25 ref.C).

6) Verwijder de elektrische kabel (FIG.25, F)

7) Haak het hendeltje los (fig.31, ref.B), trek het maaidek naar voren en positioneer het maaidek

Het is aanbevolen om de bak preventief te openen en het laadkanaal weg te nemen (fig.32).

Naarmate de maaimessen verslijten, verliezen ze hun snijvermogen en neigen om in onbalans te komen, waardoor de grasmaaier gaat trillen. Wanneer de onbalans niet verdwijnt na het slijpen, is het aanbevolen om de uitbalancering te controleren. Steek een schroevendraaier in het middelste gat van het maimes en slijp af tot het maimes "in balans" horizontaal blijft.

Om een maimes te demonteren, moet u die stevig vastgrijpen. Draag werkhandschoenen om dit te doen. Draai de centrale schroef los (AANDACHT: de schroef van het rechter maimes heeft een linkse schroefdraad).

AANDACHT!

Beschadigde of scheve messen moet u altijd vervangen, probeer nooit om ze te repareren!

GEBRUIK ALTIJD ORIGINELE MESSEN!

AANDACHT!

Om het maaidek opnieuw te monteren, laat u de geleider van het maaidek (fig. 23 ref. A) samenvallen met de geleider op de machine tussen de wielen, in het midden.

PUNTEN OM MET VET TE SMEREN

Kijk waar de smeerpunten zich bevinden volgens de speciale schema's (fig. 41A en 41B). De scharnieren van de achteras, de pedalen, de armen van het hefsysteem van de bak enz. iedere 40 uur met vet smeren.

AFSTELLING MAAIPLAAT

Het is fundamenteel dat het maaidek goed vlak is om een gelijkmatig afgemaaid grasveld te verkrijgen. Plaats de grasmaaier op een plat oppervlak en controleer of de bandenspanning correct is (fig. 10). Wanneer u er niet in slaagt om een goed parallelisme te verkrijgen, bedient u de stelschroef (fig. 20, ref. A). Om de maaihoogte te regelen, moet u 2 tussenstukken van 25 mm plaatsen aan de zijkanen onder de rand van het maaidek. Stel de actuator in de laagste stand met behulp van de knop op het instrumentenbord. De afstelling gebeurt aan de hand van de schroef (fig.24, ref.B). Los eerst de twee schroeven (fig.24, ref.A).

MOTORRIEMEN - HYDROSTATISCHE AS

Deze worden automatisch geregeld en vereisen geen enkele afstelling. Het volstaat bijgevolg om de spanning van de veren te controleren. Om ze te vervangen dient u de spanningsveer los te maken (fig.22, ref.B).

PTO-RIEM

Aandacht! Deze riem is speciaal, gebruik oorspronkelijke riemen. Voor de vervanging gaat u te werk zoals reeds uitgelegd voor de vervanging van de motorriem – hydrostatische as (veer: fig.22, ref.B). Als volgt:

- 1) Verwijder de bescherming boven het maaidek door de twee schroeven los te draaien (fig.25).
- 2) Verwijder de splitpen (fig. 25, ref.A).
- 3) Draai de hendel (fig.25, ref.B) linksom.
- 4) Verwijder de PTO-riem (fig.25 ref.C).
- 5) Wanneer u de riem opnieuw monteert, moet u die binnen de hydrostatische wand laten passeren (zoals geïntegreerd in fig. 37).

De PTO-riem moet niet worden afgesteld omdat die automatisch wordt geregeld.

PLATTE RIEM

Dit is een speciale riem met dubbel A-A profiel zodat de maaimessen in omgekeerde zin kunnen roteren. De spanning van de riem wordt automatisch geregeld door de veer (fig.34, ref.A). De veer moet 130 mm lang zijn (lengte van de spiralen). Ga als volgt te werk om te vervangen:

- 1) Verwijder de bescherming boven het maaidek door de twee schroeven los te draaien.
- 2) Verwijder de splitpen (fig.25, ref.A).
- 3) Draai de hendel (fig.25, ref.B) linksom.
- 4) Verwijder de PTO-riem (fig.25 ref.C).
- 5) Haak het hendeltje los (fig.31, ref.B), trek het maaidek naar voren en positioneer het maaidek verticaal (fig. 26).

Het is aanbevolen om de bak preventief te openen en het laadkanaal weg te nemen (fig.32).

1. Verwijder de schijf door de middelste schijf los te schroeven (fig.25, ref.E).
2. Verwijder de beschermcarter van het maaidek (fig.31) door de schroeven los te draaien (ref.C).
3. Haak de veer los (fig.34, ref.A).
4. Verwijder en vervang de riem (fig.34, ref.B) volgens het schema.

GEBRUIK ALLEEN OORSPRONKELIJKE RIEMEN RIEM HYDRAULISCHE POMP

De riem die de hydraulische pomp aandrijft, wordt automatisch geregeld (fig. 21). Om eventueel te vervangen dient u de veer (fig. 21, ref. A) los te maken en de twee schroeven losdraaien die de steunplaat van de pomp (fig. 21, ref. B) bevestigen.

ONDERHOUD

HANDELING		ELKE 8 UREN	NA 20 UREN	ELKE 50 UREN	ELKE 100 UREN	ELKE 200 UREN
Motor olie	Controleer niveau	•				
	Vervang		•		•	
Lucht filter	controleer	•				
	Vervang				*	
Olie hydrostatische as	Controleer niveau		•	•		
	Vervang			(eerste vervanging) •		•
Bougie	controleer /pas aan				•	
	Vervang					•
Controleren of het aanzuigrooster van de motor goed schoon is		•				
Controleren of de vinnen van de hydraulische motor goed schoon zijn		•				
Controleren of de maaimessen geslepen zijn en vast zitten		•				
Met vet smeren van de smeerpunten			•	•		

• aanbevolen handeling

* handeling uit te voeren indien nodig

LEIDRAAD OM PROBLEMEN OP TE LOSSEN

PROBLEEM

OORZAAK

OPLOSSING

Wanneer de sleutel op START staat, blijft het instrumentenbord uit

- | | |
|--|--|
| <ul style="list-style-type: none"> – De accu geeft geen stroom af | <ul style="list-style-type: none"> – Controleer de aansluitingskabels – Laad de accu op – Vervang de zekering |
|--|--|

Het instrumentenbord gaat aan, maar de startmotor draait niet wanneer de sleutel op START staat

- | | |
|---|--|
| <ul style="list-style-type: none"> – De accu geeft onvoldoende stroom af – Geen consensus om te starten | <ul style="list-style-type: none"> – Laad de accu op – Pedaal om te rijden in stand STOP – Schakel de maaimessen uit – Ga op de stuurplaats neerzitten |
|---|--|

De motor start moeilijk of werkt onregelmatig

- | | |
|---|--|
| <ul style="list-style-type: none"> – Problemen met de verbranding – Regel de carburator (houd u aan de handleiding van de motor) – Bezinsel of onzuiverheden in de brandstof | <ul style="list-style-type: none"> – Reinig of vervang de luchtfilter – Maak de tank leeg en vul met verse benzine – Controleer en vervang eventueel de benzinefilter |
|---|--|

De startmotor draait maar de motor start niet

- | | |
|---|--|
| <ul style="list-style-type: none"> – Geen benzinetoevoer | <ul style="list-style-type: none"> – Controleer of de starter aangedreven is (als de motor koud is) – Controleer het niveau in de tank |
|---|--|

- Gebrekkige werking van het ontstekingsstelsel
 - Controleer (en vervang eventueel) de benzinefilter
 - Controleer of het gat voor ontluchting op de dop van de tank niet verstopt is
 - Controleer de bevestiging van de kap van de bougies
 - Controleer de reinheid en de correcte afstand tussen de elektroden
-

Vermindering van het rendement tijdens het afmaaien

- Hoge rijsnelheid in verhouding tot de maaihoogte
 - Verminder de snelheid
 - Regel het maaidek op een hogere stand
-

Wanneer de maaimessen worden ingeschakeld, valt de motor uit

- Geen consensus bij de inschakeling van de maaimessen
 - Controleer de microscharnelaar bak vol
 - Bestuurder zit op de stuurplaats neer
 - Controleer de sensor bak dicht
-

Onregelmatig maaien en onvoldoende opvang

- Maaidek niet parallel met het terrein
 - Controleer de bandenspanning
 - Herstel het parallelisme van het maaidek
 - Gebrekkige werking van de maaimessen
 - Controleer of de maaimessen correct gemonteerd zijn
 - De maaimessen slijpen of vervangen
 - Hoge rijsnelheid in verhouding tot de maaihoogte en de toestand van het grasveld
 - Maai het gras wanneer het grasveld indien mogelijk droog is
 - Verminder de rijsnelheid
 - Maak het rooster in de bak schoon
-

Trillingen tijdens de werking

- Maaimessen in onbalans
 - Balanceer of vervang de maaimessen als ze beschadigd zijn
 - Bevestigingen gelost
 - Controleer en zet de bevestigingsschroeven van de maaimessen en de bevestigingsschroeven van de motor en van het chassis vast
-

DE MACHINE STOOT TEGEN EEN STEEN OF EEN ANDER VREEMD VOORWERP

- Stop de machine.
- Zet de motor uit, maak de grasmaaier los en controleer of het maaimes niet vervormd is. Desgevallend vervangen (fig. 26).

BELANGRIJK

Bedien de hendel om de machine te verplaatsen terwijl de motor uit staat (fig. 27)

MECHANISCHE PARKEERREM

Voor deze inrichting moet u de kabel (fig. 28, ref. B) in de uitgeschakelde stand afgesteld houden: het hendeltje moet op nul zijn, als de hendel "vrij" in de stand nr. 7 (fig.3) is, is stand "P" ingeschakeld. Wanneer de parkeerrem is ingeschakeld en de PTO is uitgeschakeld, is het mogelijk om de stuurplaats te verlaten zonder dat de motor stilvalt. Aandacht! De machine niet achterlaten terwijl de motor draait.

AANPASSING VAN DE NEUTRALE/VRIJE POSITIE

Druk zacht op het pedaal “voorwaarts” (fig. 1, n. 1): door het pedaal in de A positie te duwen gaat de machine voorwaarts gaan, door op het pedaal in de B positie te duwen gaat de machine achterwaarts. Als het pedaal losgelaten wordt, stopt de machine. Als de machine niet volledig stopt als het pedaal losgelaten wordt, kan de neutrale positie aangepast worden door middel van de regelaar (fig. 46). Deze aanpassing moet uitgevoerd worden met draaiende motor, de machine in een stevige, veilige positie en de voorste wielen van de grond. Verwijder de beschermkap van de stuurkolom, los beide schroeven (Fig 46, A) en pas de bevestigingsbeugel van de voorste veer (Fig 46, B) aan zodat de wielen volledig stoppen. Eens de aanpassing afgewerkt is, draai beide schroeven terug aan. **Deze procedure moet uitgevoerd worden door een erkend Grillo Service Centre**

BELANGRIJK: Deze aanpassing moet geleidelijk gebeuren, in kleine aanpassingen per keer. Door de slag van de hefboom te vergroten op de hydraulische overbrenging dmv de stang, bevestigd op het pedaal, hebben de wielen meer tractie en zullen sneller gaan. **Deze procedure moet uitgevoerd worden door een erkend Grillo Service Centre**

GRASOPVANGBAK

De hydraulische cilinders die de bak optillen en kippen zijn regelbaar. wees zeer aandachtig zodat de bak niet tegen de eindaanslagbuffers wordt geforceerd. De parallellogram trekstang heeft rechts en linkse schroefdraad, die kunt u afstellen om de bak goed te laten samenvallen met het laadkanaal (fig.40, ref.B). U kunt ook de twee beugels afstellen die de laadbuis (fig.32, ref.B) ondersteunen. Deze interventie dient uitgevoerd te worden terwijl de bak dicht is. De hydraulische cilinder die de bak kipt, kan worden afgesteld om de bak op de buffers vooraan te laten steunen: aandacht! De bak niet op de buffers forceren, de bak moet er gewoon op rusten.

ACHTERSTE AS

Smeer alle koppelingen met vet. Als er tekenen van abnormale slijtage van de banden optreden, lijn dan de achterste wielen uit met de voorste. Gebruik hiervoor de moer (fig. 33, C).

ELEKTRO-HYDRAULISCHE VERDELER

De elektro-hydraulische verdeler (fig.13, ref.E) bestaat uit drie blokken die worden samengehouden door middel van vier trekstangen met moeren die op 5 N/m zijn aangehaald. Als dit aanhaalmoment niet nageleefd wordt, blokkeert de verdeler.

ELEKTRISCHE INSTALLATIE

De elektrische installatie is door twee zekeringen beveiligd: een van 16A op het instrumentenbord (fig. 2,ref. 6), die alle functies beveiligd. Wanneer deze zekering doorslaat, kan alleen de motor worden gestart. Een tweede zekering van 25A/h is aangebracht in de buurt van de elektro-hydraulische verdeler op de installatie. Wanneer deze zekering doorslaat, wordt de volledige elektrische installatie uitgeschakeld (fig.29). Wanneer het defect is opgespoord en gerepareerd, moet u de doorgeslagen zekering vervangen door een andere zekering met hetzelfde vermogen. Vervang een zekering nooit door een zekering met een ander vermogen. Als de problemen aanhouden na het uitvoeren van bovenstaande interventies, dient u contact op te nemen met een erkend centrum voor assistentie. Probeer nooit om moeilijke reparaties uit te voeren zonder over de nodige middelen en de technische kennis te beschikken. Wanneer de motor of de accu defect is, kunt u de bak handmatig openen. Steek de contactsleutel in en ga op de stoel neerzitten. De hydraulische klep zal druk afdrukken. Druk op de knop bak openen (fig.5, nr.13) en open de bak handmatig. De accu bevindt zich onder de grasopvangbak aan de achterkant van de machine (fig.33 A). Wanneer de accu defect is, kunt u die wegnemen en opnieuw opladen.

WERKING VAN DE BELANGRIJKSTE INRICHTINGEN VAN DE ELEKTRISCHE INSTALLATIE

- Een veiligheidssensor detecteert of de bak in werkstand is (fig.13, ref.F); als dit niet het geval is, worden de maaimessen uitgeschakeld.
- Op het rijpedaal bevindt zich een microschakelaar die de stopstand voor het starten detecteert (fig.30).
- Op de hendel van de parkeerrem bevindt zich een sensor (fig.28, ref. A) die detecteert wanneer de rem ingeschakeld is en zorgt dat de motor blijft draaien wanneer de bestuurder zijn stuurplaats heeft verlaten. De motor wordt uitgeschakeld als het rijpedaal wordt ingedrukt terwijl de rem is ingeschakeld.

- Op de kabel van de elektromagnetische koppeling (fig.12, ref.B) is een diode gemonteerd die terugslag belet.
- Vanbinnen in de bak bevindt zich een mobiele sensor, die de maaimessen uitschakelt wanneer de bak vol is (fig.38, ref.A).
- In de stuurkolom zit een stuu eenheid (fig. 36) die alle elektrische functies van de machine beheerd, zoals PTO, beveiligingen, consensus om te starten, en een relais die de consensus voor de elektrische impulsen activeert (fig. 35).

KLAAR MET WERKEN

Na het maaien moet u de maaimessen uitschakelen. Om te stoppen neemt u uw voet van het pedaal (fig.1, nr.1), zet de gashendel op minimum, schakel de motor uit door de sleutel (fig.4, ref.15) op de STOP-stand te zetten. Schakel de parkeerrem (fig.3, ref.7) in.

REINIGING

Het maaidek vanbinnen afspoelen: deze interventie moet op een stevige ondergrond plaatsvinden. Hiervoor sluit u een leiding voor water aan op de voorziene koppeling (fig.31, ref.A) en laat u enkele minuten het water stromen met:

- de bestuurder neerzittend op de stuurplaats;
 - de motor draaiend;
 - de schakeling in vrij;
 - het maaimes uitgeschakeld.
 - Reinig het rooster van de bak en het laadkanaal
 - Aandacht: het rooster van de bak moet absoluut schoongemaakt zijn om het gras ook in moeilijke omstandigheden efficiënt te kunnen opvangen.
- Tijdens het spoelen bevindt het maaidek zich best volledig naar beneden.
De motorkamer en de hydrostatische as niet met de hogedrukreiniger spoelen; gebruik perslucht of een stofzuiger.

LAADKANAAL

U kunt deze volledig demonteren door naar boven te trekken (fig.32) nadat de grasopvangbak geopend is.

TREKHAAK

Dient om een kleine aanhanger of een aandrukrol voor sportvelden aan te sluiten (fig.33, ref.B). Trekvermogen max. 130 kg op een vlak terrein. Gebruik de machine op een lage snelheid en wees altijd uiterst aandachtig.

MULCHING KIT

Instructies om te monteren

- Verwijder en bewaar de twee maaimessen die bij het maaidek zijn meegeleverd. **Aandacht: de schroef van het rechter maaimes heeft een linkse schroefdraad.**
- Bevestig de twee mulching messen A en B (fig. 43) die bij de kit zitten met dezelfde bouten die u eerder heeft verwijderd plus de afstandstukken C die bij de kit zitten (fig. 44)
- positioneer de zwarte mulching plaat D (fig. 43) ter hoogte van het opvangkanaal van het maaidek en breng deze tot tegen het eindgedeelte van het maaidek. Centreer deze ten opzichte van de rotatieassen van de twee messen.
- bevestig de zwarte mulching plaat D op het bovenste gedeelte van het maaidek met de stang E, de beugel F, en de bijhorende borgring en moer (fig. 45)

AANWIJZINGEN EN TIPS VOOR MULCHING

- Het is aanbevolen om droog gras te maaien omdat het maaidek die beter kan afvoeren.
- Wanneer het nodig is om nat gras af te rijden, moet u het maaidek lichtjes omhoog brengen zodat er een betere luchtcirculatie is.
- Onderbreek regelmatig het maaien tijdens het werken en passeer over de reeds gemaaide zones met de messen ingeschakeld. Op die manier kan het opgehoopte materiaal in het maaidek zich gelijkmatig over het grasveld verdelen.
- Na het werken is het aanbevolen om de messen niet onmiddellijk te stoppen, omdat het gras zo allemaal op een plaats wordt gelost. Rijd verder over een oppervlak dat al afgemaaid is zodat het maaidek leeg kan draaien.

- **BELANGRIJK: respecteer altijd de regel van een derde.** Maai nooit meer dan een derde van de lengte van de grashalm per keer af.
- Naargelang het geval kan het nodig zijn om meer dan een maaipassage uit te voeren.
- Verminder de rijsnelheid zodat het maaidek niet teveel wordt gevuld en maai met de messen op maximale snelheid zodat het gras snel wordt versnipperd.
- Maai altijd met scherpe maaimessen. Wanneer ze versleten zijn, moet u ze slijpen of vervangen, naargelang de noodwendigheden.

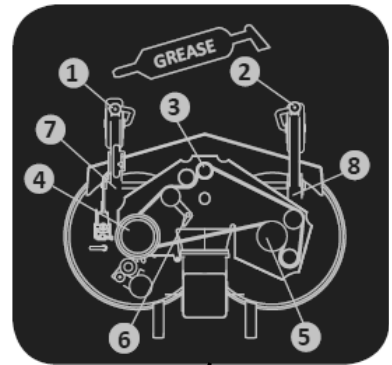
STALLEN EN LANGDURIGE INACTIVITEIT

Stal de machine op een droge plaats, beschut tegen weersinvloeden en indien mogelijk afgedekt met een zeil. Als u een langdurige periode inactiviteit voorziet (meer dan 1 maand), moet u de negatieve kabel van de accu loskoppelen. Volg de aanwijzingen in de instructiehandleiding van de motor. Smeer ook alle scharnieren. Controleer regelmatig of de spanning van de accu niet onder de waarde 12 Volt daalt, indien nodig de accu opladen. Als de machine langer dan 30 dagen niet wordt gebruikt (benzinemotoren), moet u de brandstof uit de motor aflaten om te vermijden dat er zich rubberaanslag gaat vormen in het toevoersysteem of in de vitale delen van de carburator. Wanneer u dit wilt vermijden, kunt u zorgen dat de opgeslagen brandstof tot 12 maanden langer bewaard wordt door een stabiliseermiddel voor benzine toe te voegen, die speciaal hiervoor geschikt is. Meng het additief met de brandstof in de tank of in het recipient met brandstof. Zet de motor aan zodat het additief in het toevoersysteem circuleert.

Opmerking: als de motor benzine gebruikt die alcohol bevat, moet u de tank leegmaken door de motor te laten draaien tot de brandstof op is.

TRANSPORT

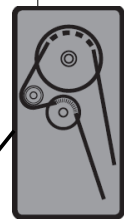
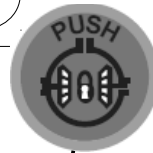
Als de machine met een vrachtwagen of aanhangwagen wordt vervoerd; moet u het maaidek naar beneden brengen, de parkeerrem inschakelen en de machine met behulp van stroppen, kabels of kettingen goed op het vervoermiddel vastzetten. U kunt de kabels vastmaken op de punten aangegeven door de pijlen (fig.42) om de machine op te tillen. Controleer of de kraan, takels en kabels voldoende draagvermogen hebben. Het totale gewicht van de machine bedraagt 400kg



12

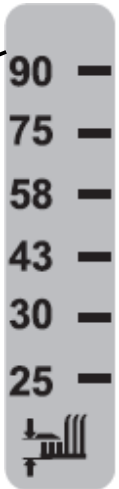
9

13

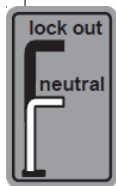


8

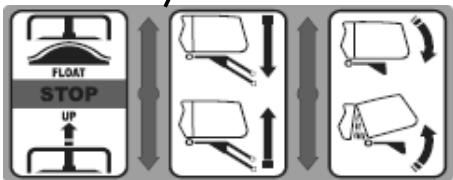
10



11

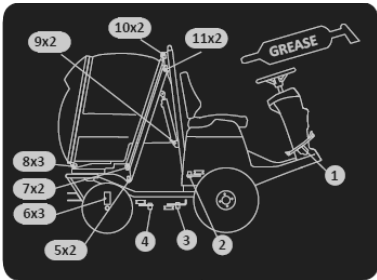


1



4





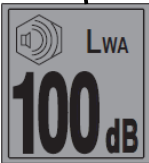
14



5



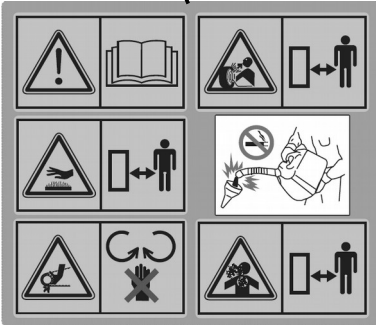
6



3



2



7



LEGEND – LEGENDA – LEGENDE – ZEICHNUNGERKLÄRUNG – LEYENDA

1- Cutting deck lifting button – grass-catcher lifting button – grass-catcher tilting button

2- **CAUTION, DANGER:** Read the instructions manual. Take off the key and read the instructions before carrying out any maintenance or repair operations. **CAUTION, TURNING GEARS:** Keep your hands and feet away and make sure there are no moving parts, not even by force of inertia.

3- **DANGER, MACHINE ROLL-OVER:** Do not use this machine on slopes steeper than 12° (21%).

4- **DANGER, CUTTING ELEMENTS:** Keep your hands and feet away. Do not work with the machine over gravel or other foreign objects that could be thrown away by the blades, being therefore very dangerous. Keep people at a minimum safety distance of 15 meters.

5- Parking brake

6- Noise level.

7- Accelerator (min-max).

8- Belt assembling scheme

9- Differential lock

10- Cutting height adjustment

11- Hydrostatic transmission bypass lever

12- **DANGER, MOVING PARTS:** Keep your hands and feet away

13- Cutting deck maintenance grease map

14- Machine maintenance grease map

1- Druckknopf zum Anheben des Mähwerks – Druckknopf zum Anheben des Grasfangkorbs – Druckknopf zum Kippen des Grasfangkorbs.

2- **VORSICHT, GEFAHR:** Die Gebrauchsanleitung durchlesen. Den Schlüssel abziehen und die Anleitungen lesen, bevor Sie jegliche Wartungsoperationen und Reparaturen durchführen. **VORSICHT, DREHENDES TEIL:** Hände und Füße fernhalten und sicherstellen, dass sich keine Teile bewegen, auch nicht durch Trägheit.

3- **GEFAHR, UMKIPPEN DER MASCHINE:** Diese Maschine nicht auf Hängen einsetzen, die steiler als 12° (21%) sind.

4- **VORSICHT, SCHNEIDENDES TEIL:** Hände und Füße immer fernhalten. Mit dem Rasenmäher nicht auf Kies oder anderen Fremdkörpern arbeiten, diese könnten weggeschleudert werden und deswegen sehr gefährlich werden. Personen müssen einen Abstand von mindestens 15 Metern halten.

5- Feststellbremse.

6- Geräuschpegel.

7- Beschleuniger min-max.

8- Montage des Riemens.

9- Differentialsperre.

10- Schnitthöheinstellung.

11- By-Pass-Hebel der hydrostatischen Achse.

12- **GEFAHR, ROTIERENDE TEILE:** Hände und Füße fernhalten.

13- Schmierpunkte Mähdeck

14- Schmierpunkte Gerät

1- Pulsante sollevamento piatto – pulsante sollevamento cesto – pulsante ribaltamento cesto.

2- **ATTENZIONE, PERICOLO:** Leggere il manuale di istruzioni. Togliere la chiave e leggere le istruzioni prima di effettuare qualsiasi operazione di manutenzione e riparazione. **ATTENZIONE, ORGANO ROTANTE:** tenere lontano le mani e assicurarsi che non ci siano parti in movimento, neanche per inerzia.

3- **PERICOLO RIBALTAMENTO MACCHINA:** Non usare la macchina su pendii superiori a 12° (21%).

4- **ATTENZIONE, ORGANO TAGLIANTE:** Tenere lontano mani e piedi. Non lavorare con la macchina sopra ghiaia o altri corpi estranei che potrebbero essere scagliati lontano dalle lame risultando così molto pericolosi. Tenere le persone ad una distanza minima di sicurezza di 15 metri.

5- Freno di stazionamento.

6- Livello sonoro

7- Acceleratore min./max.

8- Schema di montaggio cinghia

9- Bloccaggio differenziale

10- Regolazione altezza di taglio

11- Leva by-pass trasmissione idrostatica.

12- **PERICOLO, ORGANI ROTANTI:** tenere lontani mani e piedi

13- Punti di ingrassaggio piatto di taglio

14- Punti d'ingrassaggio rasaerba

1- Bouton relevage plateau de coupe – bouton relevage du bac -

2- **ATTENTION, DANGER:** Lire la notice d'utilisation. Enlever la clé de démarrage et lire les instructions avant d'effectuer toute opération de maintenance et de réparation. **ATTENTION, DANGER: ORGANE EN ROTATION.** Tenir à distance les mains et veiller à ce qu'aucune partie n'est en mouvement, même pas par inertie.

3- **DANGER RENVERSEMENT DE LA MACHINE:** ne pas utiliser cette machine dans des pentes supérieures à 12° (21%).

4- **ATTENTION, ORGAN TRANCHANT:** Tenir à distance mains et pieds. Ne pas travailler avec la tondeuse sur le gravier ou d'autres corps étrangers qui pourraient être projetés par les lames et devenir très dangereux. Maintenir les personnes à une distance minimale de 15 mètres.

5- Frein de stationnement.

6- Niveau sonore.

7- Accélérateur min-max.

8- Schéma montage courroie.

9- Blocage différentiel.

10- Réglage hauteur de coupe.

11- Levier by-pass boîte hydrostatique.

12- **DANGER, ORGAN EN ROTATION :** tenir mains et pieds éloignés.

13- Points de graissage plateau de coupe

1- Drukknop om het maaidek omhoog te brengen – drukknop om de bak omhoog te brengen – drukknop om de bak te kippen.

2- **AANDACHT, GEVAAR:** Lees de instructiehandleiding. Neem de sleutel weg en lees de instructies vooraleer werkzaamheden voor onderhoud of reparatie uit te voeren. **AANDACHT, ROTEREND ONDERDEEL:** houd uw handen uit de buurt en controleer of er geen onderdelen in beweging zijn, ook niet door inertiekracht.

3- **GEVAAR VOOR OMKANTELEN VAN DE MACHINE:** De machine niet gebruiken op hellingen van meer dan 12° (21%).

4- **AANDACHT, SNIJDEND ONDERDEEL:** Houd uw handen en voeten uit de buurt. Werk niet met de machine boven grind of andere vreemde voorwerpen die door der maaimessen kunnen worden weggeslingerd, wat zeer gevaarlijk kan zijn. Houd mensen op een minimale veilige afstand van 15 meter.

5- Parkeerrem.

6- Geluidsniveau

7- Versnelling min./max.

8- Schema voor montage van de riem

9- Differentiaalblokkering

10- Afstelling van de maaihoogte

11- By-pass hendel hydrostatische transmissie.

12- **GEVAAR, BEWEGENDE DELEN:** houd uw handen en voeten weg

13- Maaidek onderhoud smeerplan

14- Machine onderhoud smeerplan

DESCRIZIONE COMANDI – DESCRIPTION OF CONTROLS – DESCRIPTION COMMANDES – BEDIENUNGSBESCHREIBUNG – DESCRIPCIÓN MANDOS

FIG. 1 -2 -3- 4- 5

1- Pedale avanzamento e retromarcia	1- Forward and reverse pedal
2- Pedale bloccaggio differenziale	2- Differential lock pedal
3- Pulsante inserimento PTO	3- P.T.O. engaging switch
4- Pulsante regolazione altezza di taglio	4- Cutting height adjustment switch
5- Contaore	5- Counter
6- Fusibile	6- Fuse
7- Leva freno di parcheggio	7- Parking brake lever
8- Leva acceleratore	8- Throttle lever
9- Leva starter	9- Starter lever
10- Leve regolazione sedile	10- Seat adjusting levers
11- Pulsante sollevamento piatto	11- Lifting cutting deck switch
12- Pulsante sollevamento cesto	12- Lifting grass-catcher switch
13- Pulsante ribaltamento cesto	13- Tilting grass-catcher switch
14- Tappo e livello carburante	14- Fuel cap and level
15- Chiave di avviamento, arresto motore e accensione faro anteriore	15- Ignition key/ Key to switch off the engine and switch on the front-light.
1- Pédale marche avant et marche arrière	1- Vorwärts-und Rückwärtspedal
2- Pédale blocage différentiel	2- Differentialsperrepedal
3- Interrupteur prise de force	3- Zapfwelleschalter
4- Interrupteur réglage hauteur de coupe	4- Schalter zur Schnitthöheinstellung
5- Compteur	5- Stundenzähler
6- Fusible	6- Schmelzsicherung
7- Levier frein du parking	7- Handbremshebel
8- Levier accélérateur	8- Gashebel
9- Levier starter	9- Anlasser-Hebel
10- Leviers réglage siège	10- Hebel zur Sitzeinstellung
11- Interrupteur relevage plateau de coupe	11- Druckknopf zur Hebung des Mähdecks
12- Interrupteur relevage bac de ramassage	12- Druckknopf zur Hebung des Grasfangkorbs
13- Interrupteur basculement bac de ramassage	13- Druckknopf zum Kippen des Grasfangkorbs
14- Tapon et niveau huile	14- Kraftstoffdeckel und Kraftstoffniveau
15- Clé de démarrage et arrêt moteur, clé d'allumage feu avant.	15- Zündschlüssel – Schlüssel zur Zündung des Frontlichtes
1 - Pedal avance y marcha atrás	1 – Pedaal vooruitgang/omgekeerde
2 - Pedal bloqueo diferencial	2 – Pedaal sperdifferentieel
3 - Pulsador embrague PTO	3 – PTO knoop
4 - Pulsador regulación altura de corte	4 – Knoop hoogteverstelling maaier
5 - Cuenta-horas	5 – Urenteller
6 - Fusible	6 – Zekering
7 - Palanca freno de estacionamiento	7 – Hefboom parkeerrem
8 - Palanca acelerador	8 – Hefboom versneller
9 - Palanca estárter	9 – Hefboom starter
10 - Palancas regulación asiento	10 – Hefboom verstelling van de stoel
11 - Pulsador levantamiento plato	11 – Knoop opheffing van de maaier
12 - Pulsador levantamiento cesto	12 – Knoop opheffing van de mand
13 - Pulsador descarga cesto	13 – Knoop lossen van de mand
14 - Tapón y nivel carburante	14 – Stopper brandstofniveau
15 - Llave de arranque y paro motor, encendido faro delantero	15 – Contactsleutel en uitschakelen van de motor – ontsteking koplamp



Fig. 1

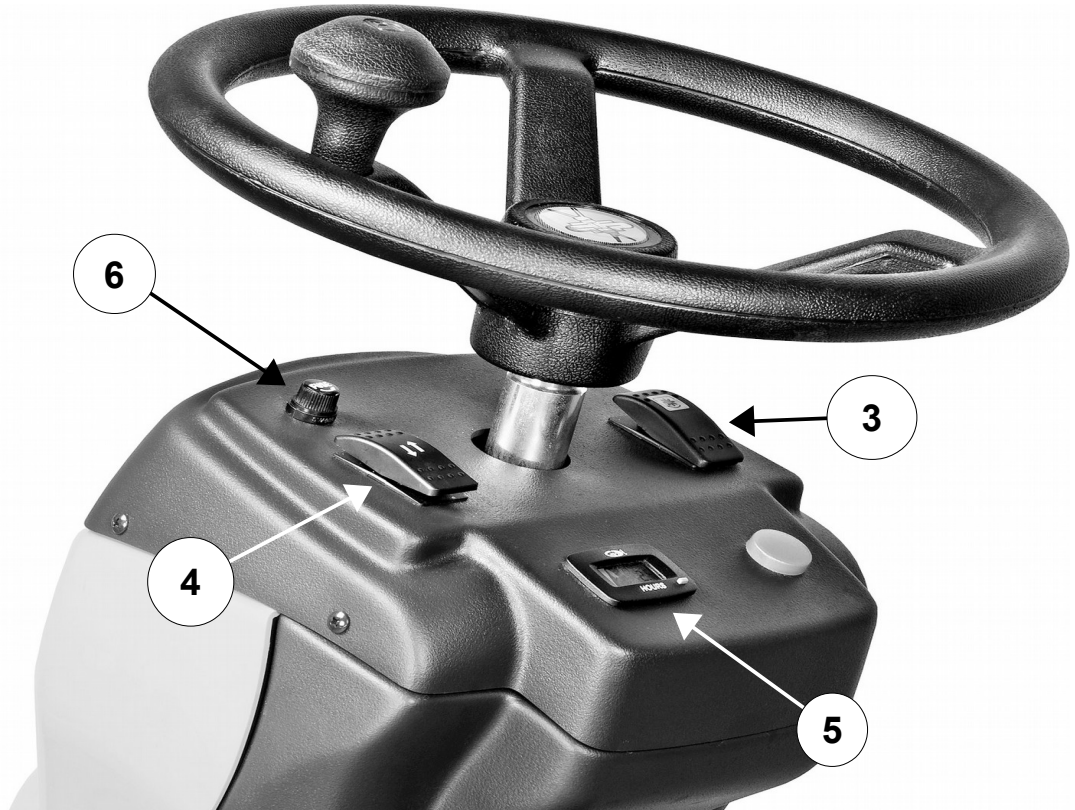


Fig. 2

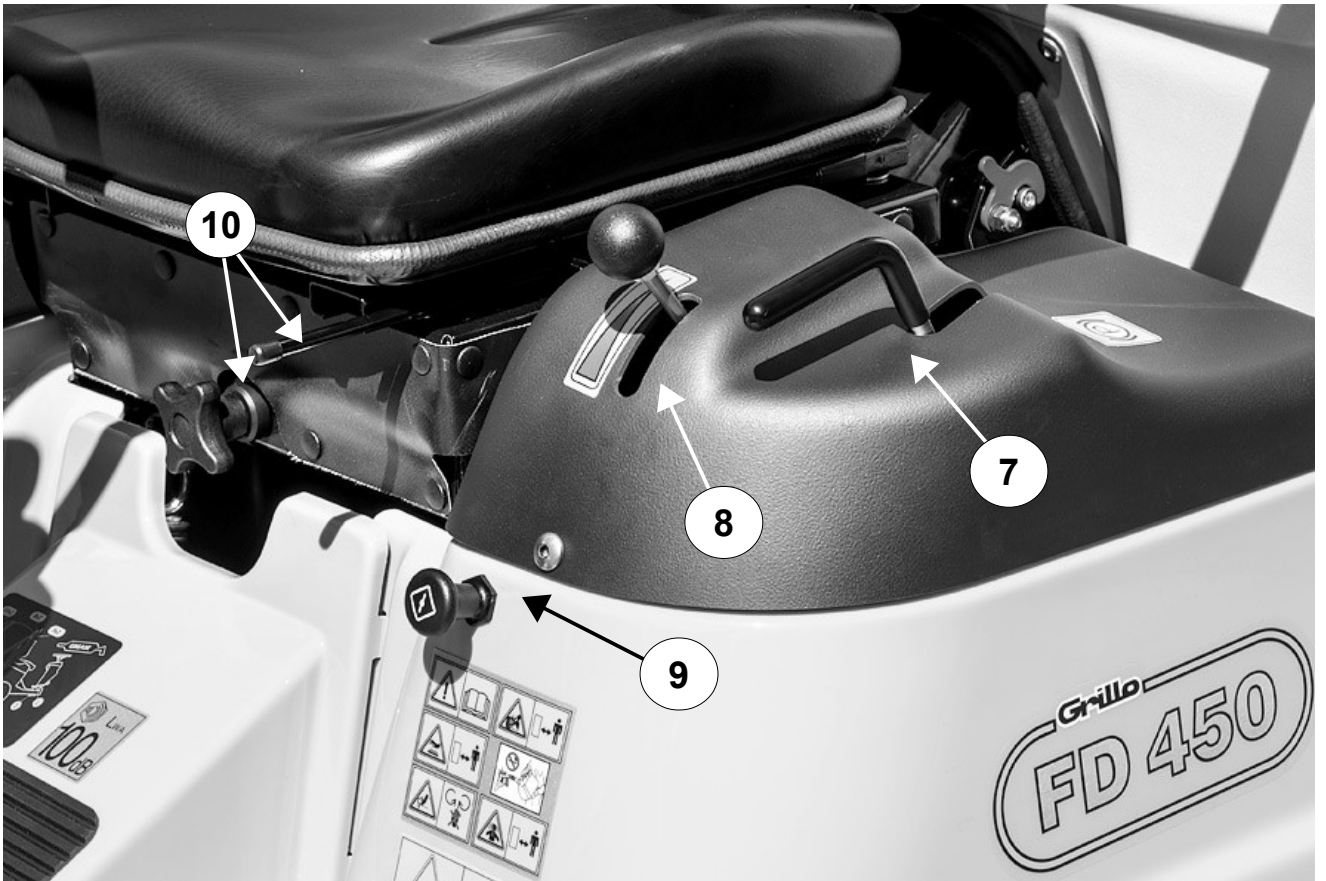


Fig. 3



Fig. 4



Fig. 5

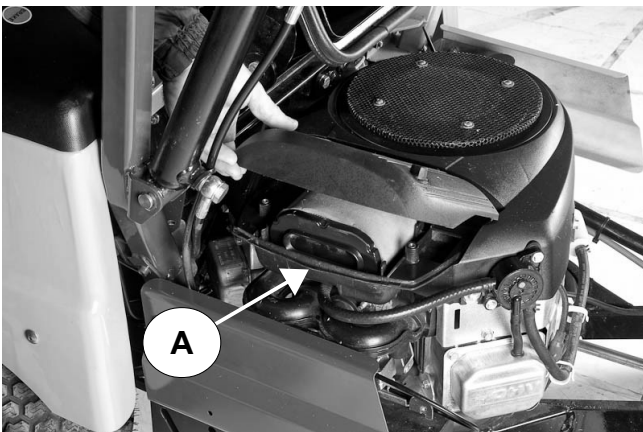


Fig. 6

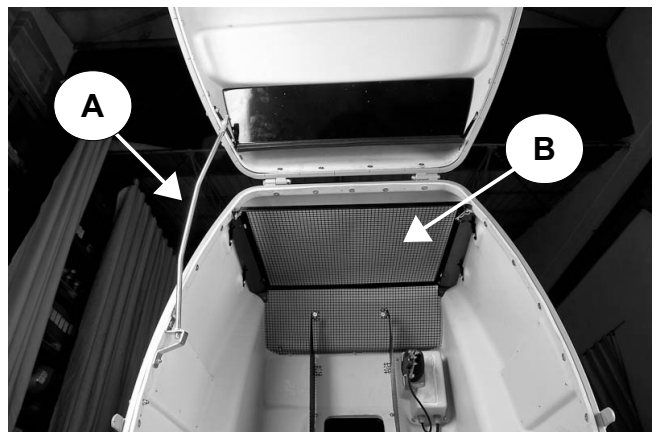


Fig. 7

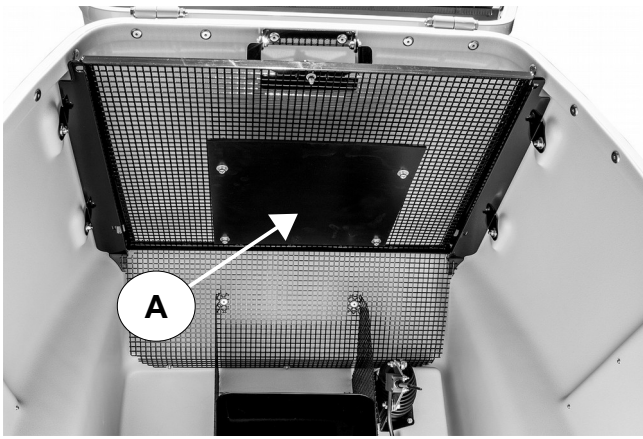


Fig. 7A

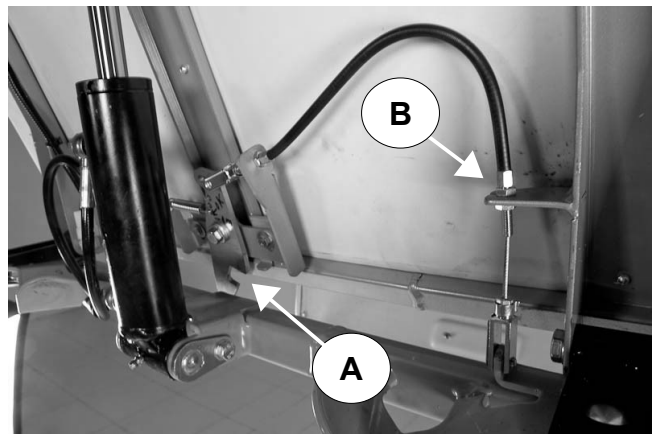


Fig. 8

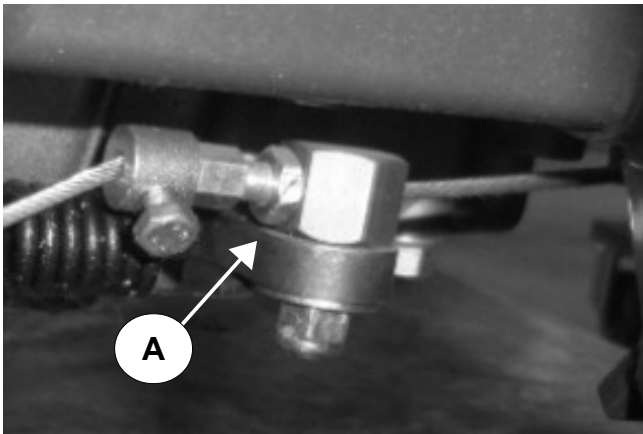


Fig. 9

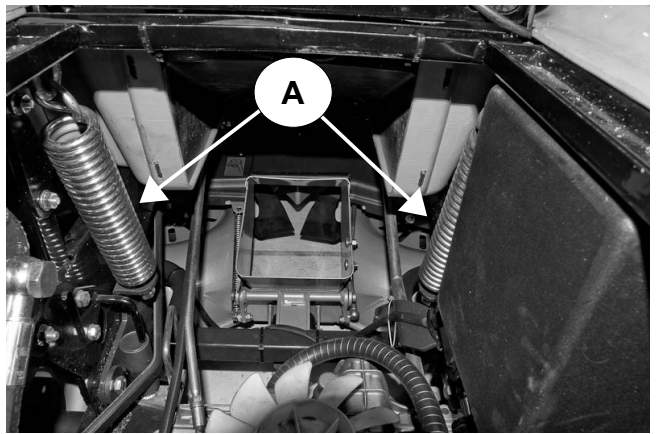


Fig. 10

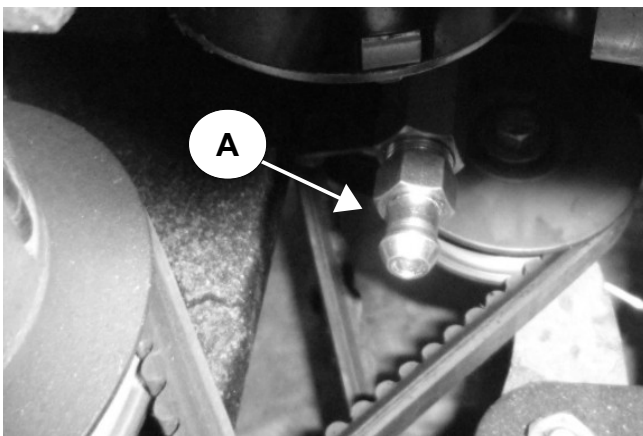


Fig. 11

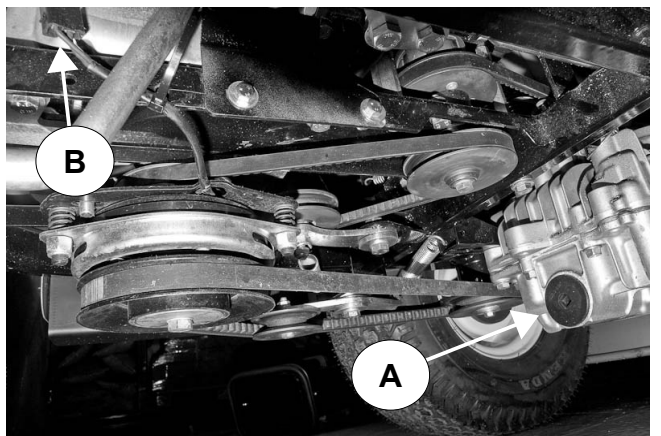


Fig. 12

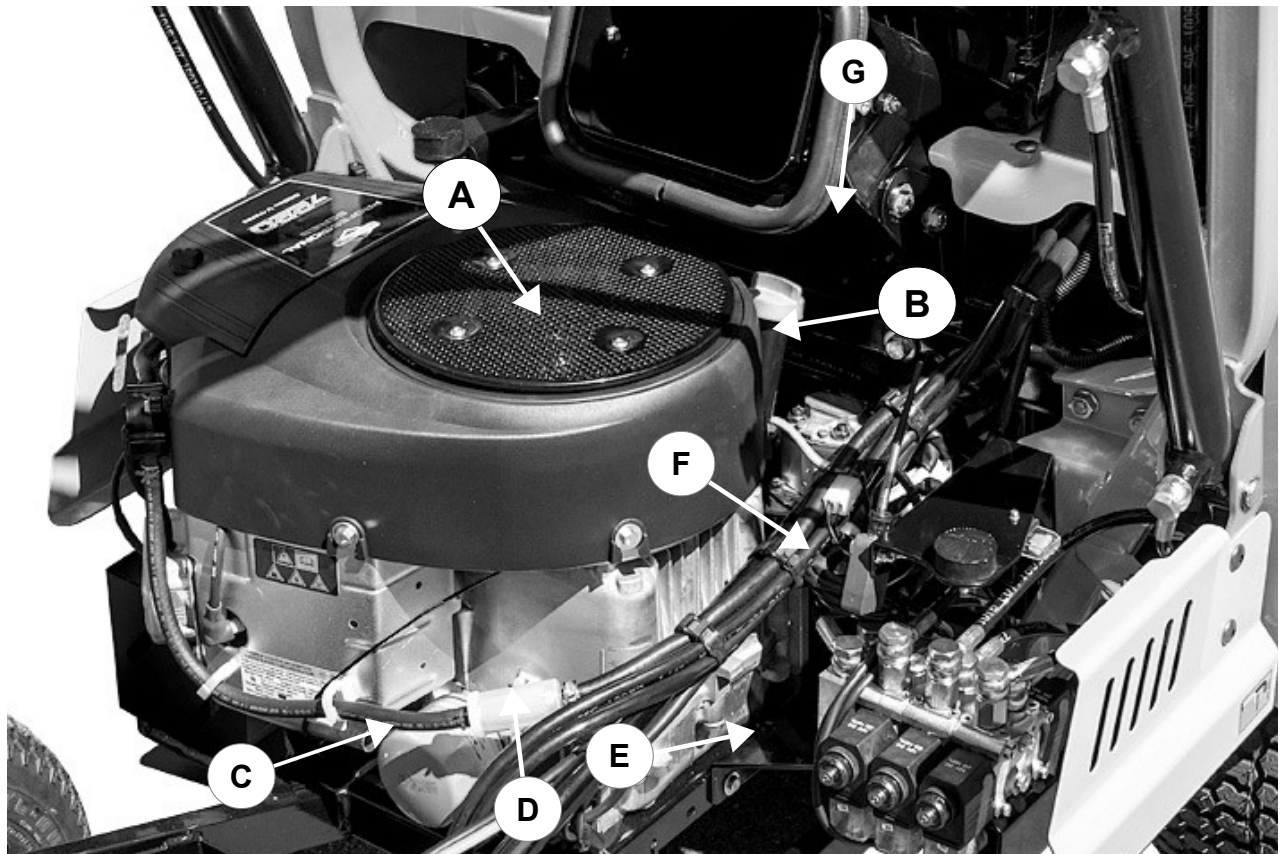


Fig. 13

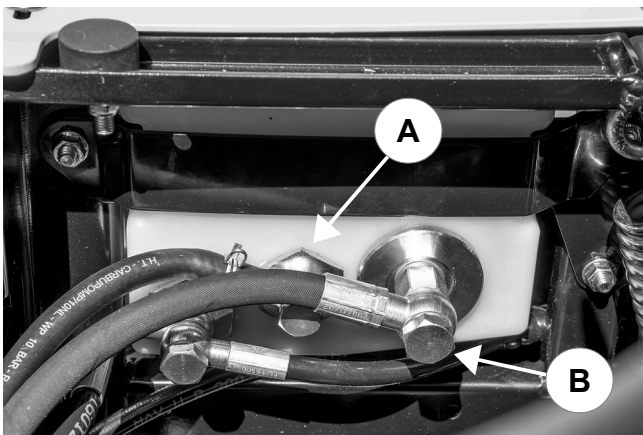


Fig. 14

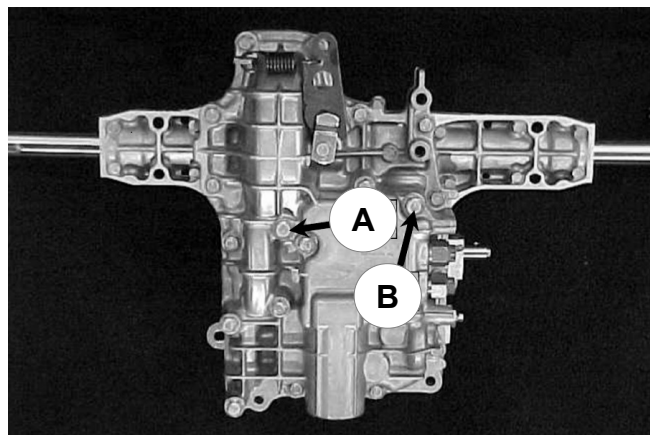


Fig. 15

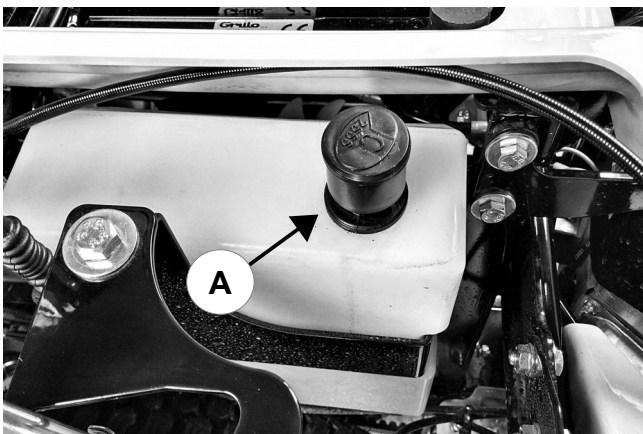


Fig. 16



Fig. 17

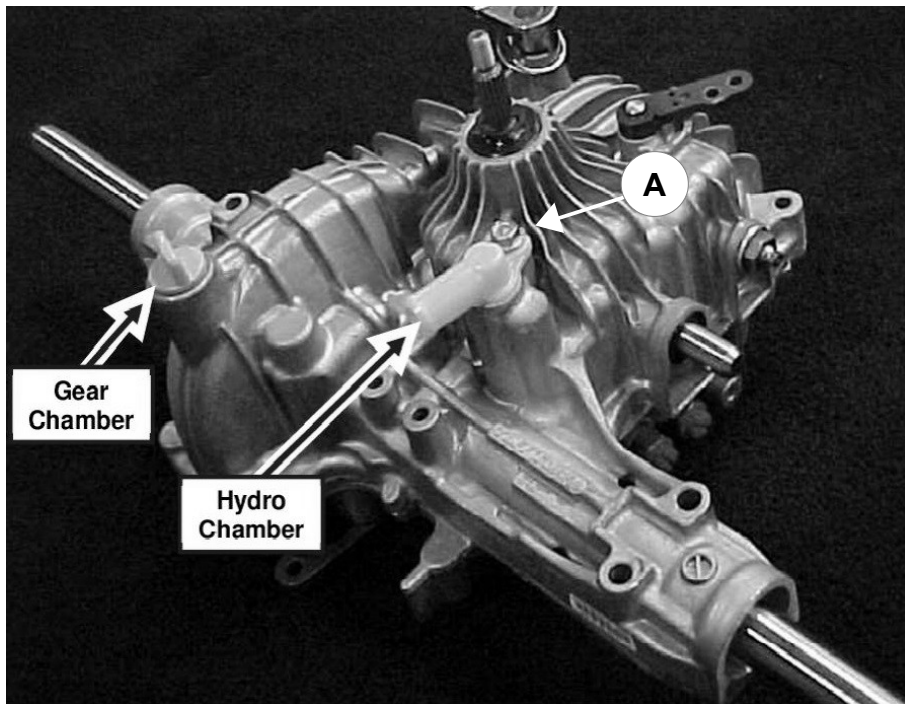


Fig. 18

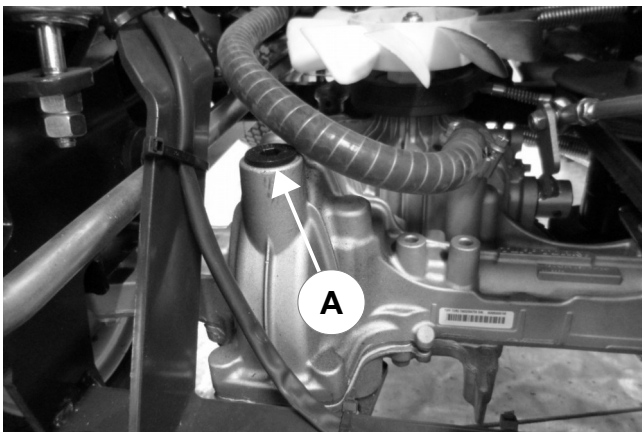


Fig. 19

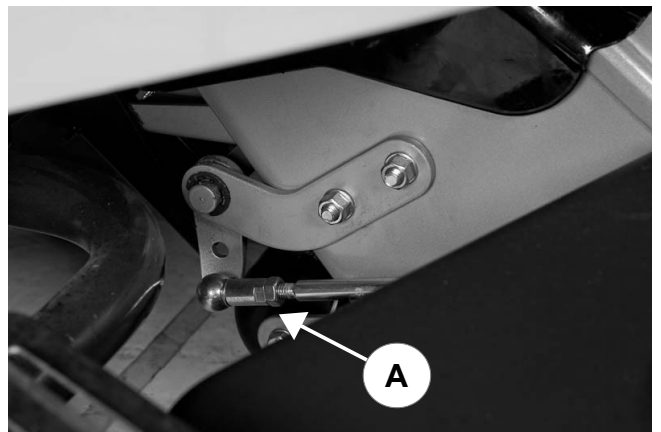


Fig. 20

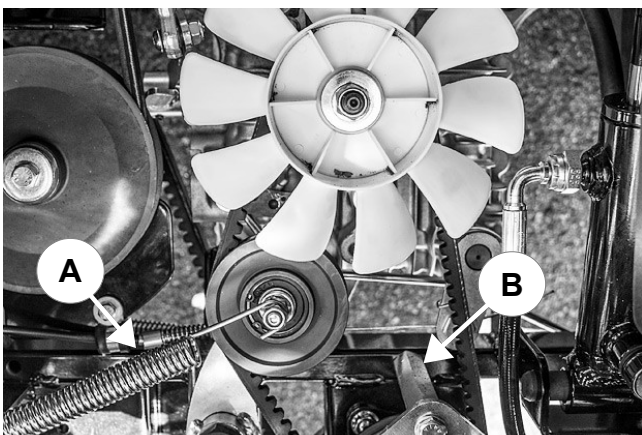


Fig. 21

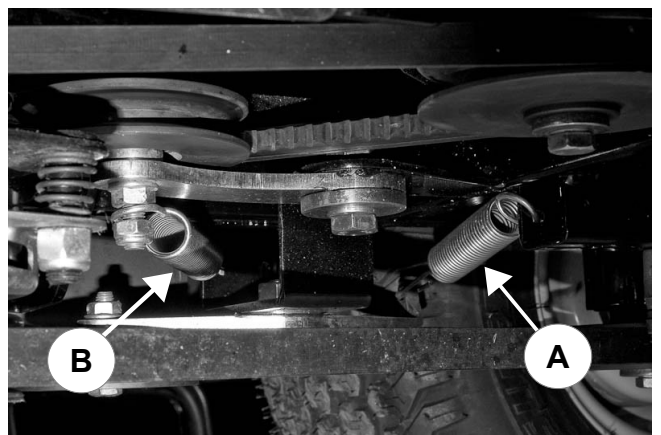


Fig. 22

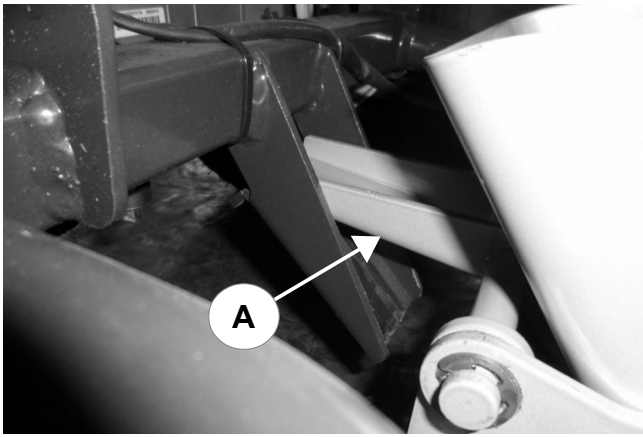


Fig. 23

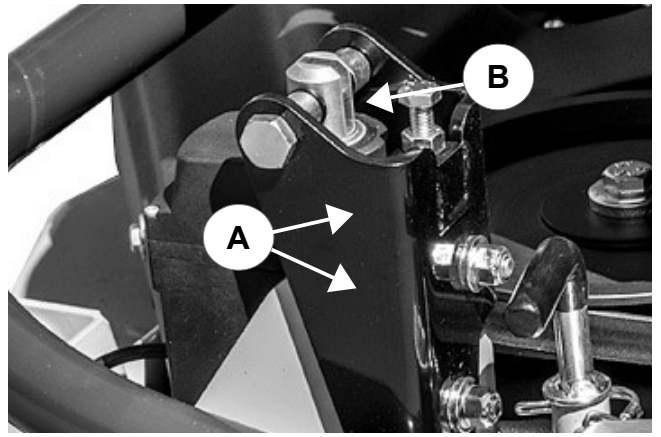


Fig. 24

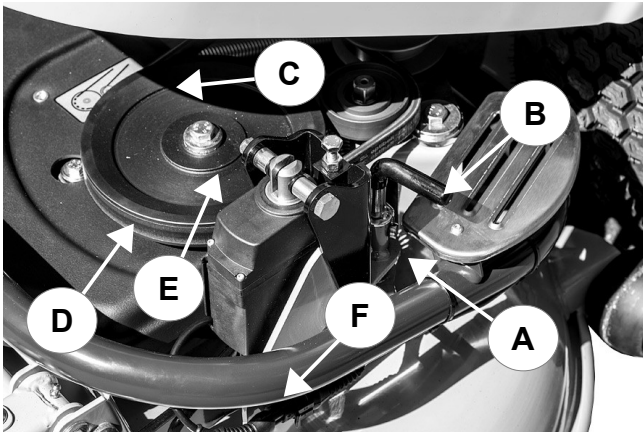


Fig. 25



Fig. 26

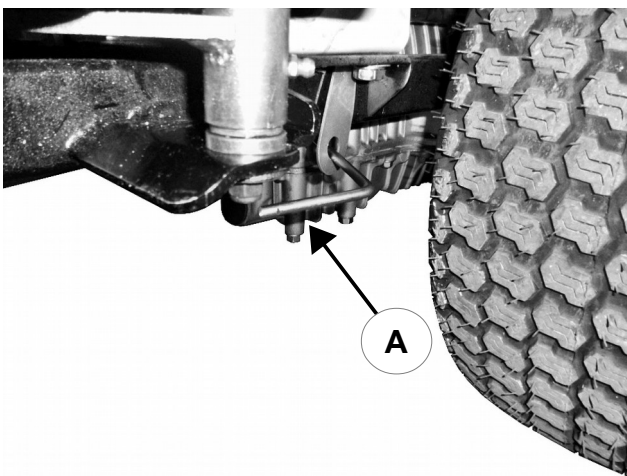


Fig. 27

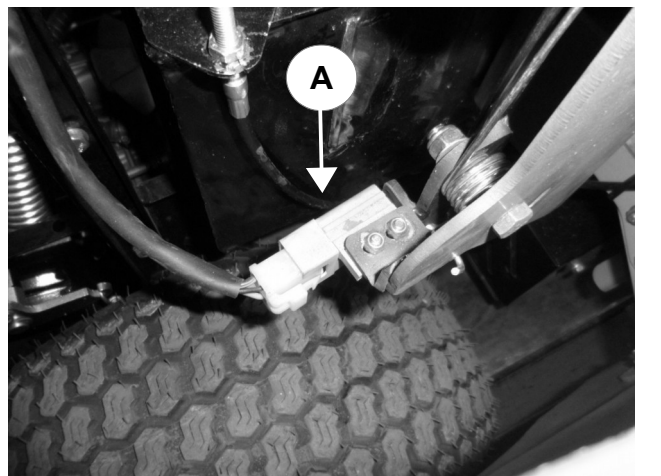


Fig. 28A

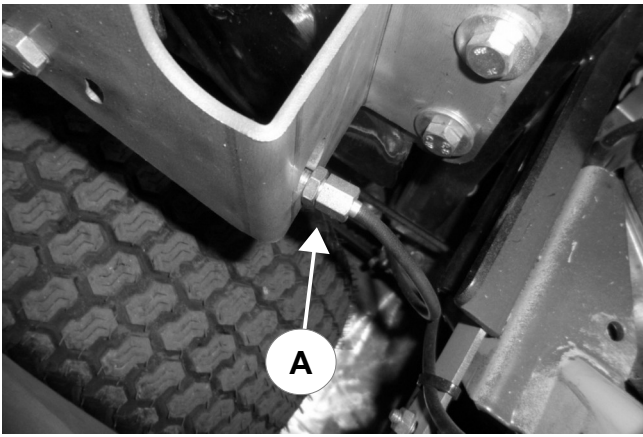


Fig. 28B

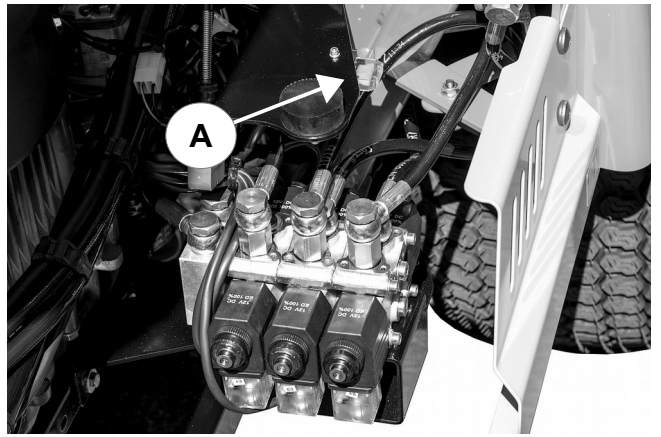


Fig. 29

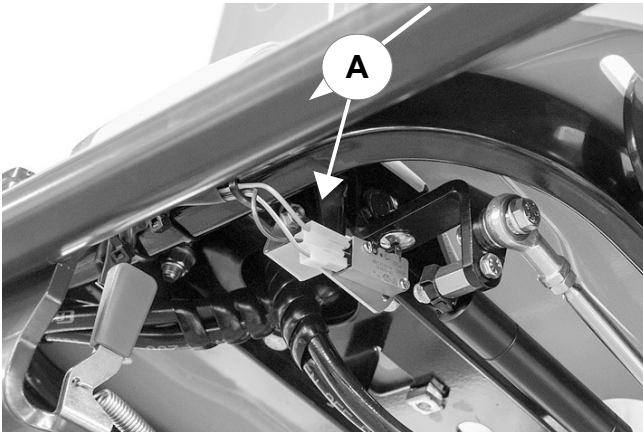


Fig. 30

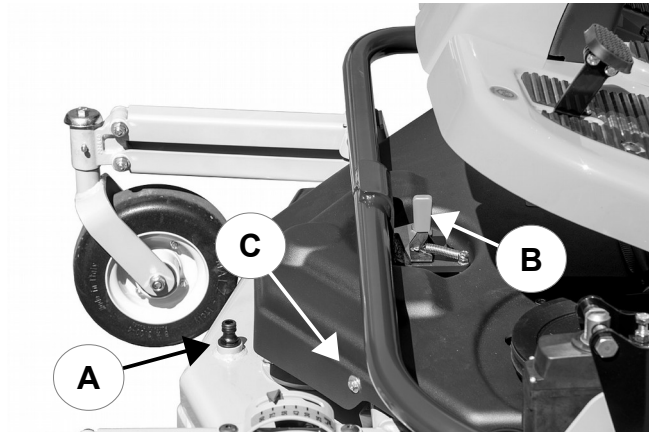


Fig. 31

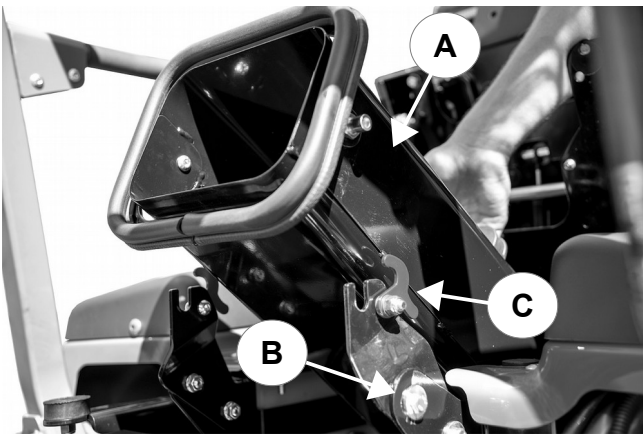


Fig. 32

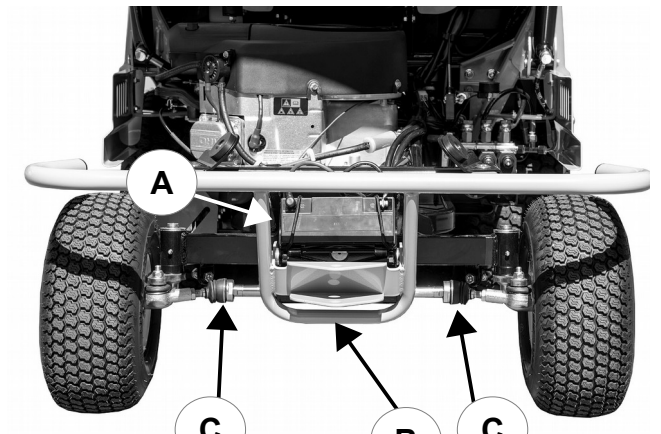


Fig. 33

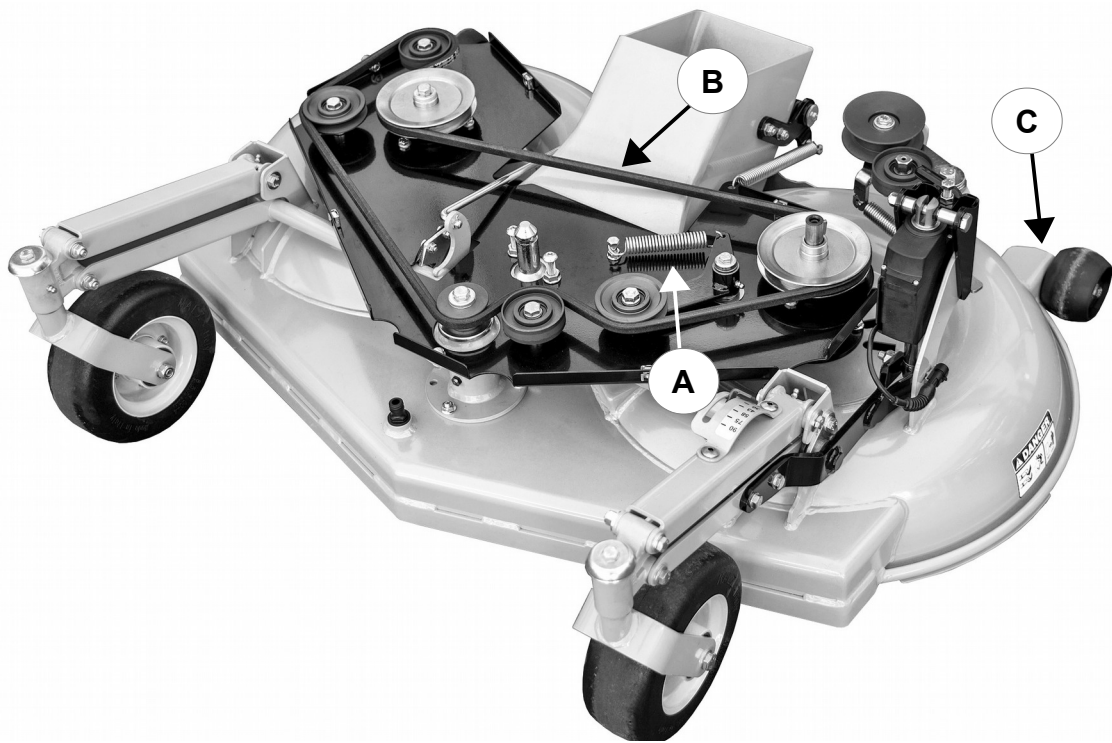


Fig. 34

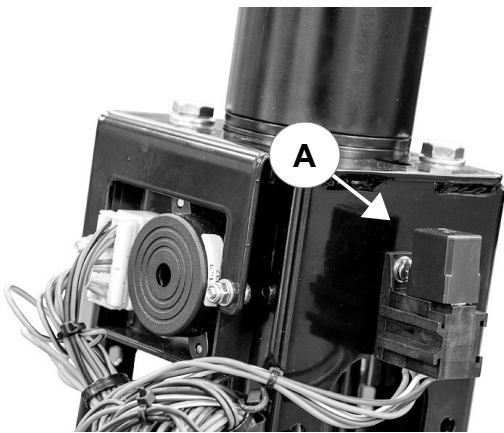


Fig. 35



Fig. 36

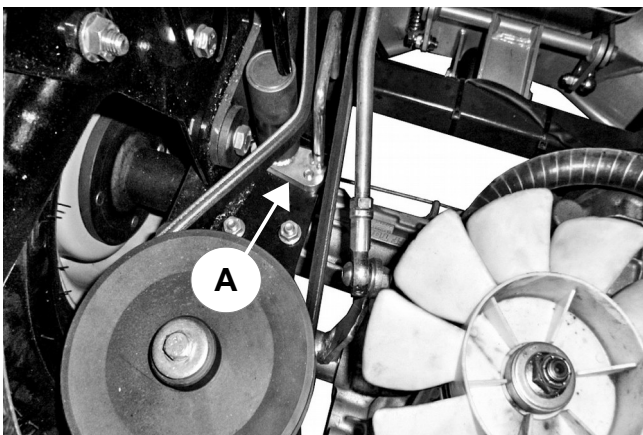


Fig. 37

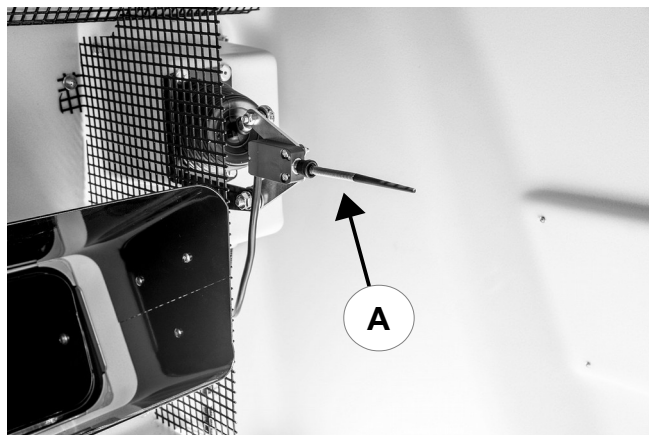


Fig. 38

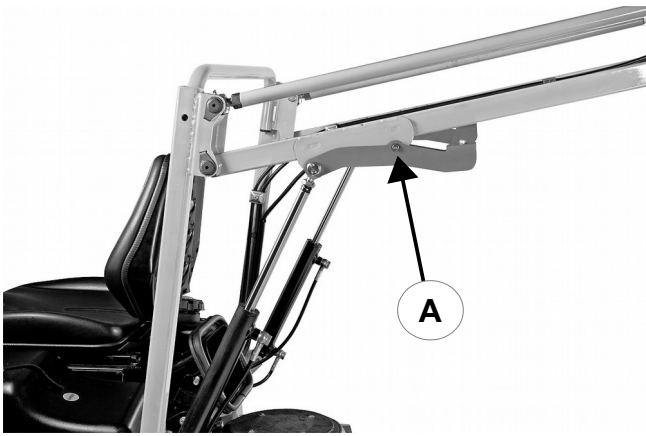


Fig. 39

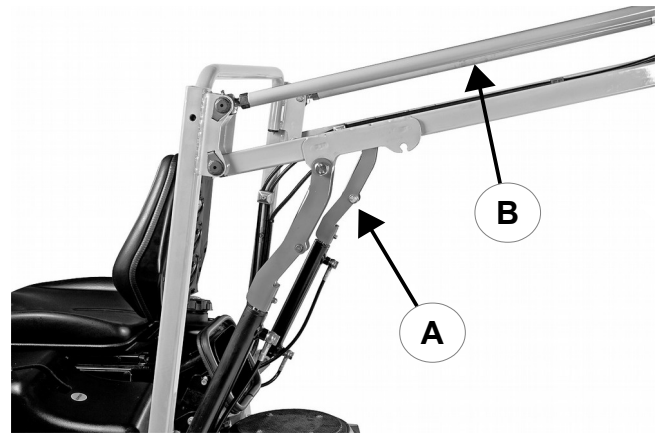


Fig. 40

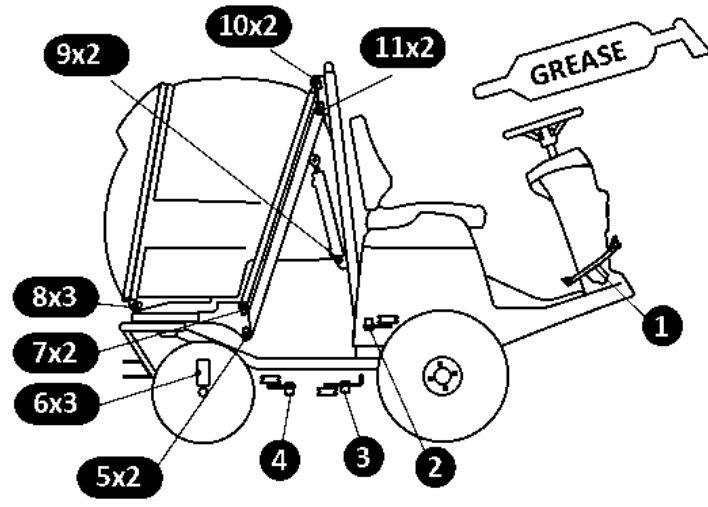


Fig. 41A

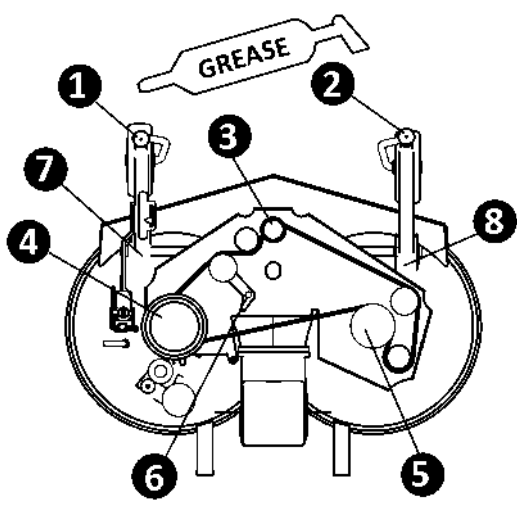


Fig. 41B

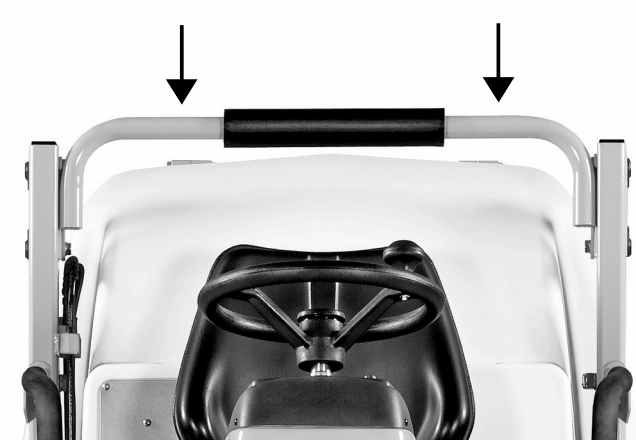


Fig. 42

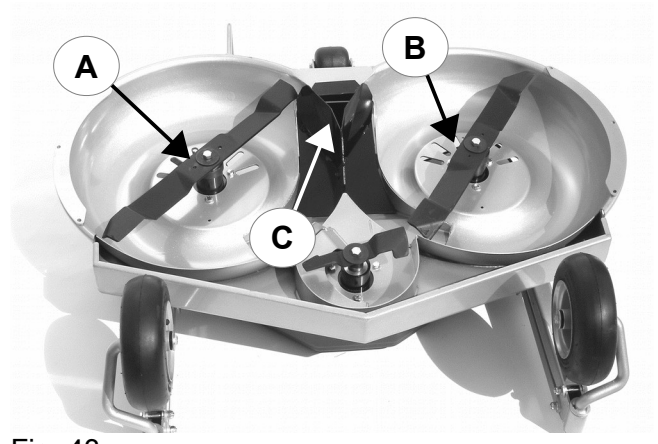


Fig. 43

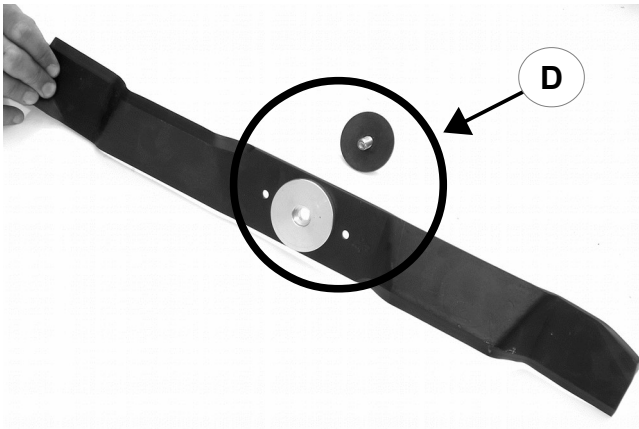


Fig. 44

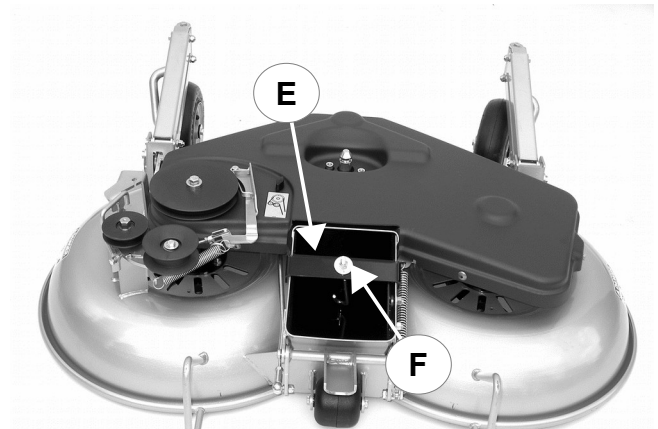


Fig. 45

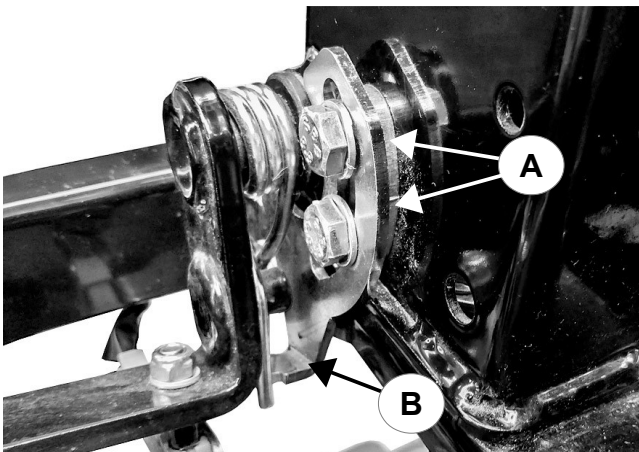


Fig. 46

EC DECLARATION OF CONFORMITY / DICHIARAZIONE DI CONFORMITÀ CE / CERTIFICAT DE CONFORMITE CE / EG-KONFORMITÄTSEKRLÄRUNG / CERTIFICADO DE CONFORMIDAD CE / DECLARAÇÃO CE DE CONFORMIDADE

(2006/42/CE, II.A)

The undersigned / Io sottoscritto / Je soussigné / Der Unterzeichner / Yo suscrito / Eu abaixo assinado:

Ing. Andrea Pinza

Authorized officer of / In qualità di legale rappresentante della / En qualité de représentant légal de la / Als rechtlicher Vertreter der / En calidad de legal representante de la / Na qualidade de representante legal da

GRILLO SPA – Via Cervese, 1701 – 47521 CESENA (FC) – ITALY

Hereby certifies that the underwritten machinery / Dichiaro che la macchina sotto indicata / Certifie que la machine indiquée ci-dessous / Bescheinigt, dass die untenstehende Maschine / Certifico que la máquina indicada a continuación / Certifica que a máquina abaixo indicada:	Authorized person to compile the relevant technical documentation / Persona autorizzata alla compilazione del fascicolo tecnico / Personne autorisée à constituer le dossier technique / Person, die bevollmächtigt ist, die technischen Unterlagen zusammenzustellen / Persona facultada para elaborar el expediente técnico / Pessoa autorizada a compilar a documentação técnica relevante:
---	--

Lawn mower / Rasaerba / Tondeuse / Rasenmäher / Cortacésped / Cortadora de relva	Grillo Spa Via Cervese, 1701 – 47521 CESENA (FC) – ITALY
--	--

Machine model / Maccina tipo / Machine type / Maschine Typ / Máquina tipo : FD450
Serial n° / Numero / Numéro / Nummer / Número :
Engine / Motore / Moteur / Motor / Motor : BRIGG&STRATTON INTEK 7220 PROFESSIONAL

Is in compliance with the relevant provisions of the Directive / Rispetta le disposizioni pertinenti della Direttiva / Satisfait à l'ensemble des dispositions pertinentes de la Directive / Entspricht allen einschlägigen Bestimmungen dieser Richtlinie / Cumple todas las disposiciones aplicables de la presente Directiva / Está em conformidade com as disposições relevantes da Directiva

2006/42/CE



And it is in conformity with the relevant provisions of the following EC Directives: / Inoltre essa è conforme alle disposizioni pertinenti delle seguenti direttive comunitarie: / Et elle est conforme aux dispositions pertinentes des suivantes directives communautaires: / Und stimmt mit den einschlägigen Bestimmungen folgender gemeinschaftlicher Richtlinien überein: / Y es conforme con las disposiciones pertinentes de las siguientes directivas comunitarias / E está em conformidade com as disposições relevantes das directivas comunitarias:

EN1553 – EN836

CESENA, _____



NOISE LEVELS: LWA 99- LpA 86,5 dBA, with 113cm cutting deck, at 3300 rpm engine speed.
RUMOROSITÀ: LWA 99- LpA 86,5 dBA, con piatto di taglio 113 cm e motore a 3300 giri/min.
NIVEAUX SONORES: LWA 99 - LpA 86,5 dBA, avec plateau de coupe 113 cm et régime moteur de 3300 tr/min.
GERÄUSCHEMISSION: LWA 99 - LpA 86,5 dBA, mit 113 cm Mähwerk und Motordrehzahl 3300 UpM.
NIVELES DE RUIDO: LWA 99 - LpA 86,5 dBA, con plato de corte de 113 cm y motor a 3300 rpm.

VIBRAZIONI VIBRATION SCHWINGUNG VIBRACIONES m/s ²		
X	1,19	0,23
Y	1,31	0,22
Z	1,84	0,26



Grillo S.p.A.

47521 CESENA (ITALY) – Via Cervese 1701

Tel: +39 0547 633111

Fax: +39 0547 632011

Website: www.grillospa.it

E-mail: grillo@grillospa.it

GRILLO DEUTSCHLAND GmbH

Pilsener Strasse, 9 - D-86199 Augsburg

Tel: + 49 082126879910

Faxnr.: + 49 01733132860

Webseite: www.grillodeutschland.de

E-Mail: grillo@grillodeutschland.de

Grillo Agrigarden LTD

Dove fields Uttoxeter - ST148HU Staffordshire

Tel: + 44 01889569149

Fax no.: + 44 01889592666

Website: www.grilloagrigarden.co.uk

E-mail: info@grilloagrigarden.co.uk