



# **PARTS CATALOGUE**

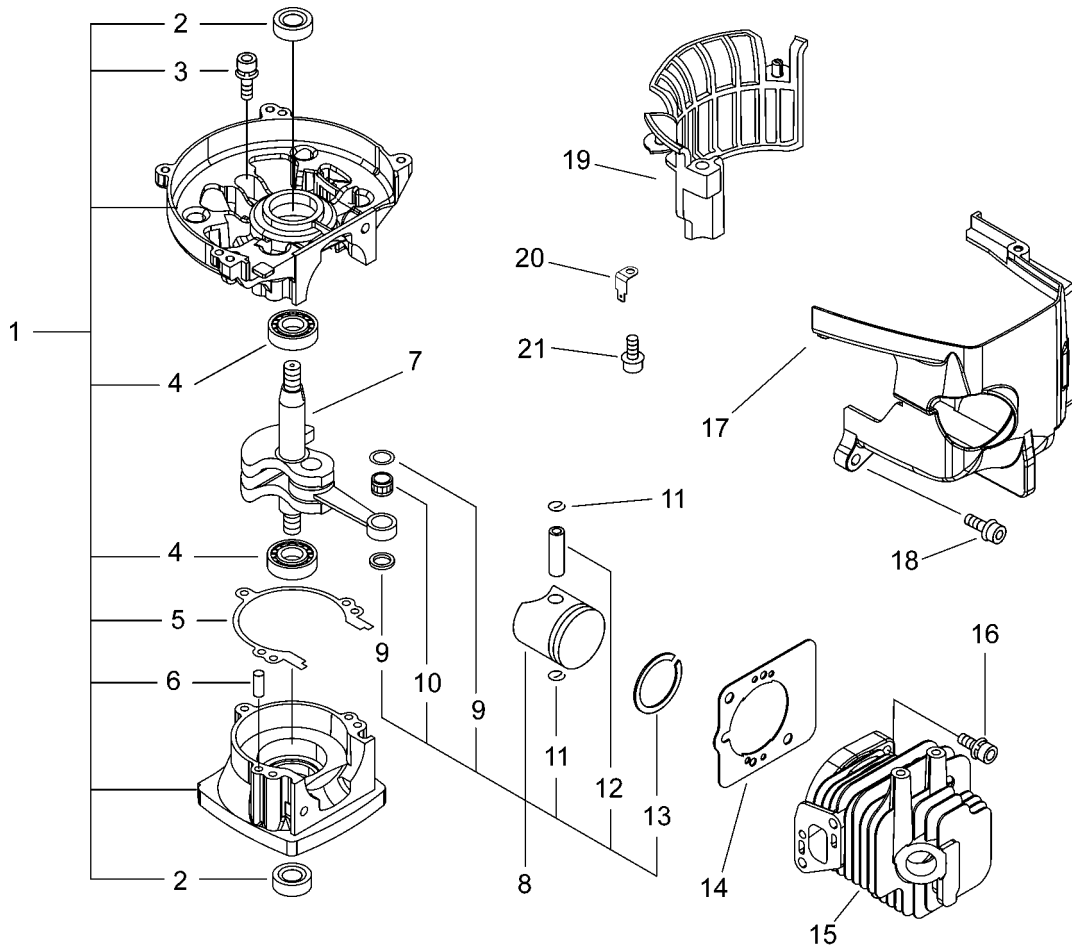
**HEDGE CLIPPER**

**HCR-161ES**

**CE**

# HCR-161ES 1

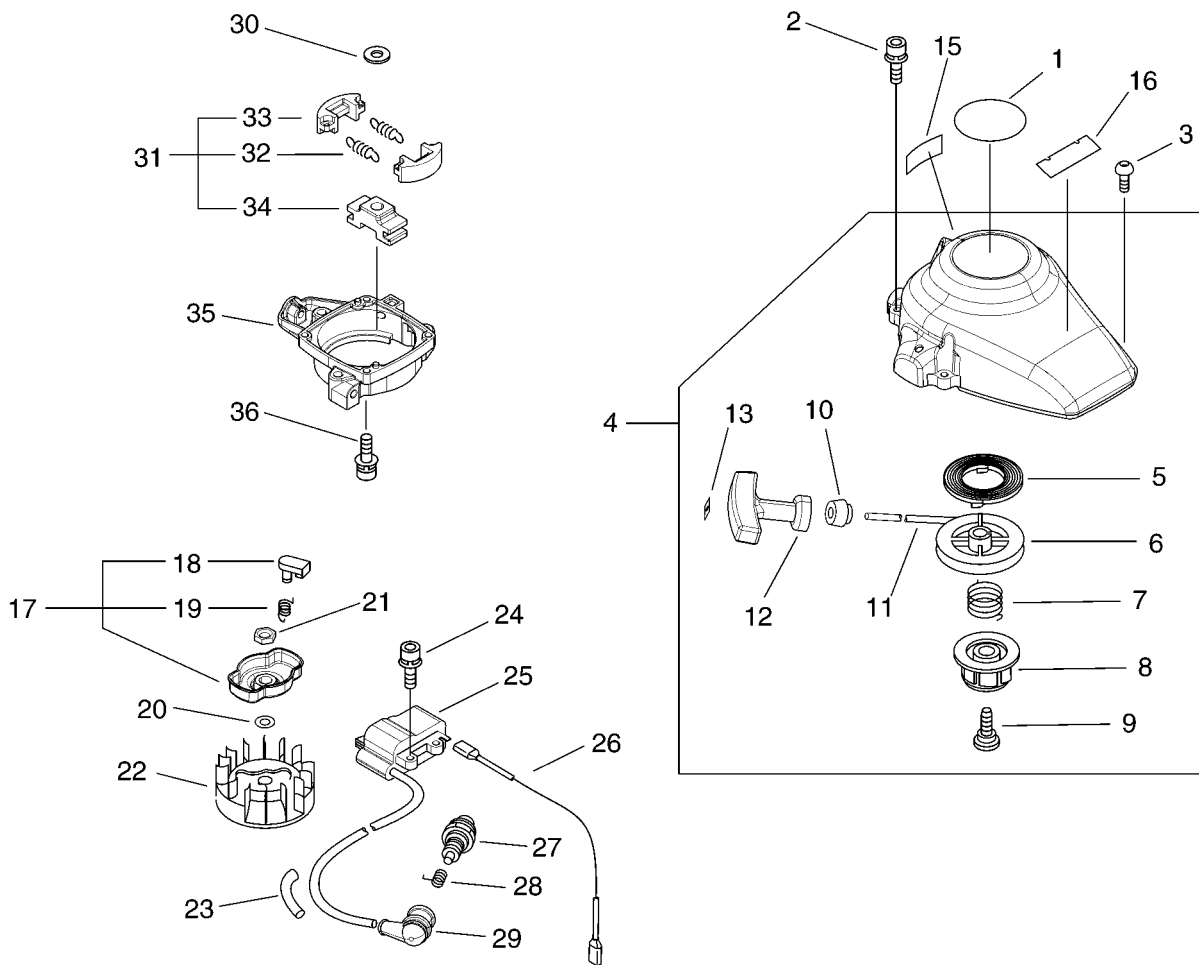
# Cylinder, Crankcase, Piston



KEY	LV	PART NUMBER	Q'TY	DESCRIPTION	REMARKS
1		100204-52132	1	CRANKCASE KIT	
2	+	100212-42031	2	OILSEAL	
3	+	900162-05028	3	BOLT, H.S. 5*28	
4	+	94035-36201	2	BEARING BALL	
5	+	100242-42030	1	GASKET, CRANKCASE	
6	+	100215-03930	2	PIN, DOWEL	
7		A011-000223	1	CRANKSHAFT,ASM	
8		P021-007772	1	PISTON KIT	
9	+	100014-08960	2	SPACER, PISTON PIN	
10	+	100113-05930	1	BEARING, NEEDLE	
11	+	100015-04630	2	CIRCLIP, PISTON PIN	
12	+	100013-11520	1	PIN, PISTON	
13	+	A101-000090	1	RING,PISTON	
14		V100-000160	1	GASKET,CYL	
15		A130-000550	1	CYLINDER	
16		900162-05022	2	BOLT, H.S. 5*22	
17		A160-000880	1	COVER,CYLINDER	
18		91121-05016	1	BOLT, FLANGE	
19		A127-000170	1	COVER,DUST	
20		C152-000410	1	CONNECTOR	
21		91118-05016	1	BOLT	

# HCR-161ES 2

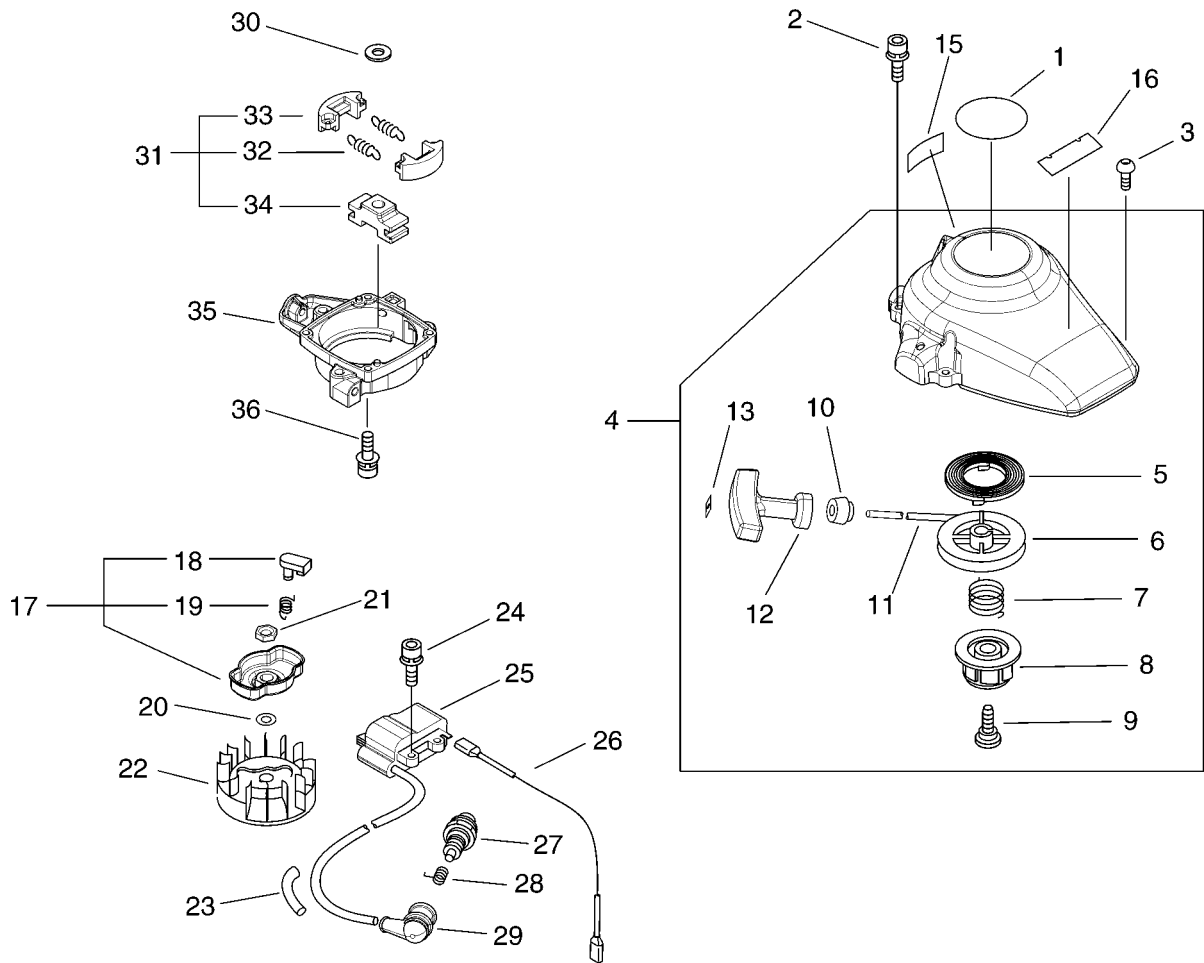
# Starter, Magneto, Clutch



KEY	LV	PART NUMBER	Q'TY	DESCRIPTION	REMARKS
1		X502-000330	1	LABEL,ECHO	
2		V202-000090	4	BOLT,4	
3		V202-000030	1	BOLT,4	
4		A051-001110	1	STARTER,RECOIL ASY	
5	+	177220-42030	1	SPRING, REWIND	
6	+	P022-006830	1	DRUM	
7	+	V452-000150	1	SPRING,TORSION	
8	+	A507-000030	1	CATCHER,PAWL	
9	+	177236-61830	1	SCREW	
10	+	177227-42030	1	GUIDE, ROPE	
11	+	P022-008260	1	ROPE	
12	+	177228-27030	1	GRIP, STARTER	
13	+	177246-11120	1	CLIP, STARTER ROPE	
15		X530-000210	1	LABEL,EYE CATCHER	
16		X503-007710	1	LABEL,MODEL	
17		A052-000210	1	PULLEY,ASM STARTER	
18	+	P022-020030	2	PAWL, STARTER	
19	+	P022-007980	2	SPRING, RETURN	
20		900600-00008	1	WASHER 8	
21		900512-00008	1	NUT 3N 8 (L-H)	
22		A409-000210	1	ROTOR,MAGNETO	
23		V475-001610	1	TUBE	
24		91113-04020	2	BOLT	
25		A411-000130	1	COIL,IGNITION	

# HCR-161ES 2

# Starter, Magneto, Clutch

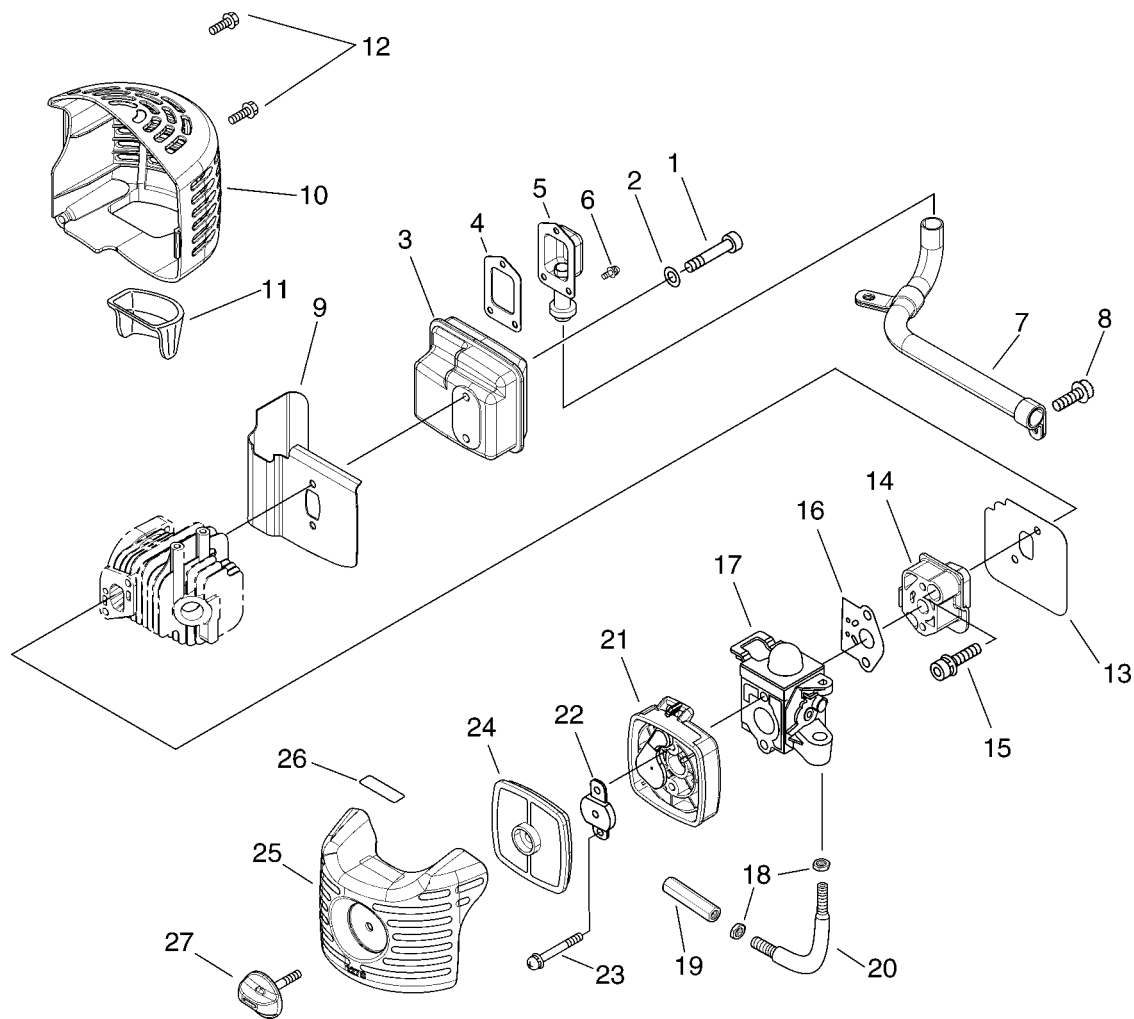


KEY	LV	PART NUMBER	Q'TY	DESCRIPTION	REMARKS
26		V485-000870	1	LEAD	
27		A425-000000	1	SPARKPLUG	
28		A426-000010	1	TERMINAL, SPARKPLUG	
29		A427-000012	1	CAP, SPARK PLUG	
30		610350-12360	1	WASHER	
31		A056-000190	1	CLUTCH ASY	
32	+	A566-000000	2	SPRING, CLUTCH	
33	+	175017-44331	2	SHOE, CLUTCH	
34	+	A552-000080	1	HUB, CLUTCH	
35		A570-000140	1	CASE, CLUTCH	
36		900163-04016	4	BOLT HSH	

# HC-161ES

# 3

# Air Cleaner, Carburettor, Muffler

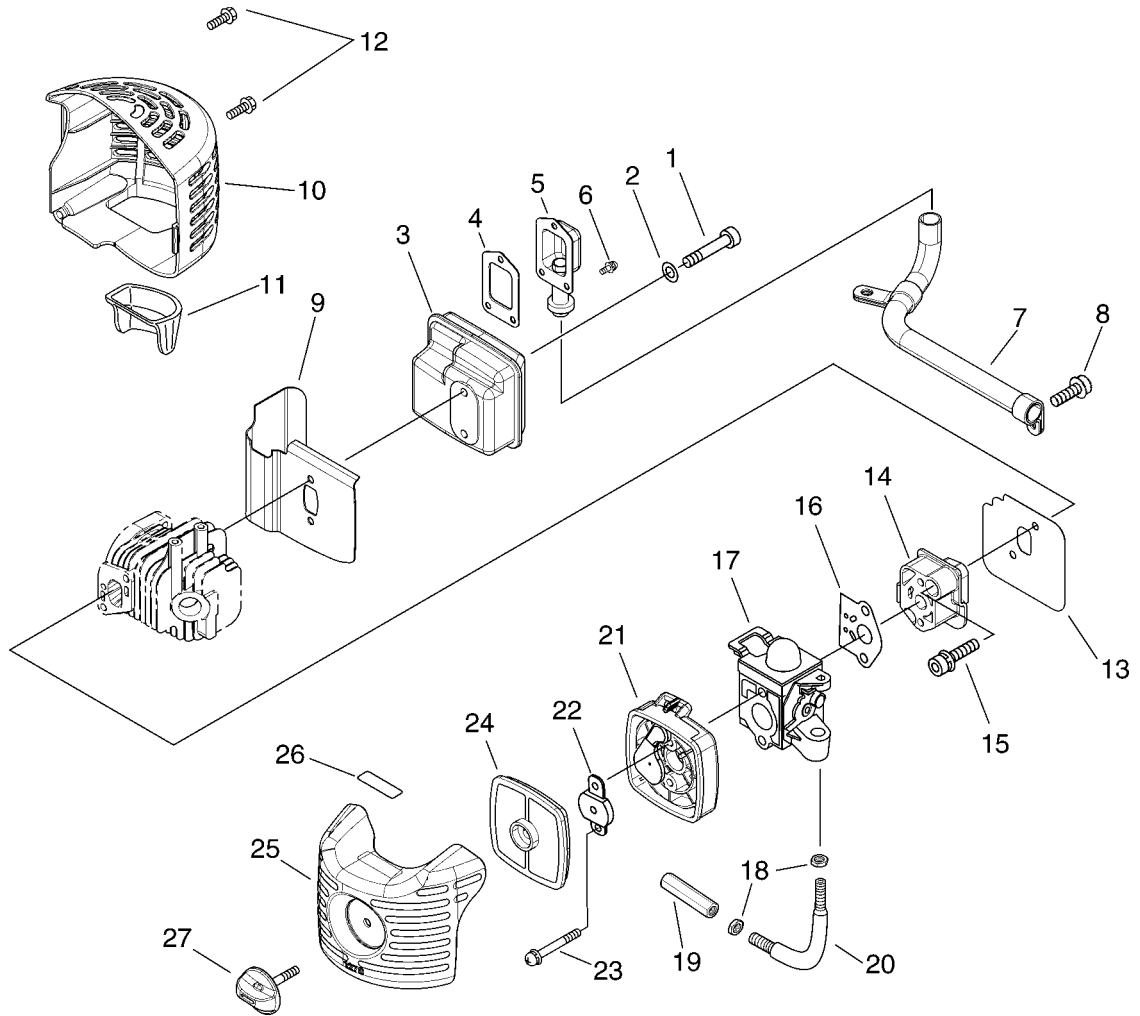


KEY	LV	PART NUMBER	Q'TY	DESCRIPTION	REMARKS
1		900105-05055	2	BOLT, H.S. 5*55	
2		900600-00005	2	WASHER 5	
3		145806-42030	1	MUFFLER	
4		145866-42031	1	GASKET, MUFFLER LID	
5		A313-000870	1	GUIDE, EXHAUST	
6		900242-04010	3	SCREW 4*10	
7		A313-000880	1	GUIDE, EXHAUST	
8		91107-04010	1	BOLT, FLANGE	
9		V104-000850	1	GASKET, EXHAUST	
10		A320-000430	1	COVER, MUFFLER	
11		A323-000010	1	PIECE, COVER	
12		91121-05016	2	BOLT, FLANGE	
13		V103-000180	1	GASKET, INTAKE	
14		A200-000300	1	INSULATOR, INTAKE	
15		900162-05025	2	BOLT, H.S. 5*25	
16		V103-000410	1	GASKET, INTAKE	
17		A021-001450	1	CARBURETOR, DIAPHRAGM	
18		92003-07000	2	NUT	
19		C482-000060	1	CONNECTOR, CABLE	
20		C482-000050	1	CONNECTOR, CABLE	
21		P021-013020	1	CASE, AIR CLEANER	
22		129011-52730	1	PLATE, PREVENT	
23		900242-05065	2	SCREW 5*65	
24		130310-54130	1	FILTER, AIR	

# HC-161ES

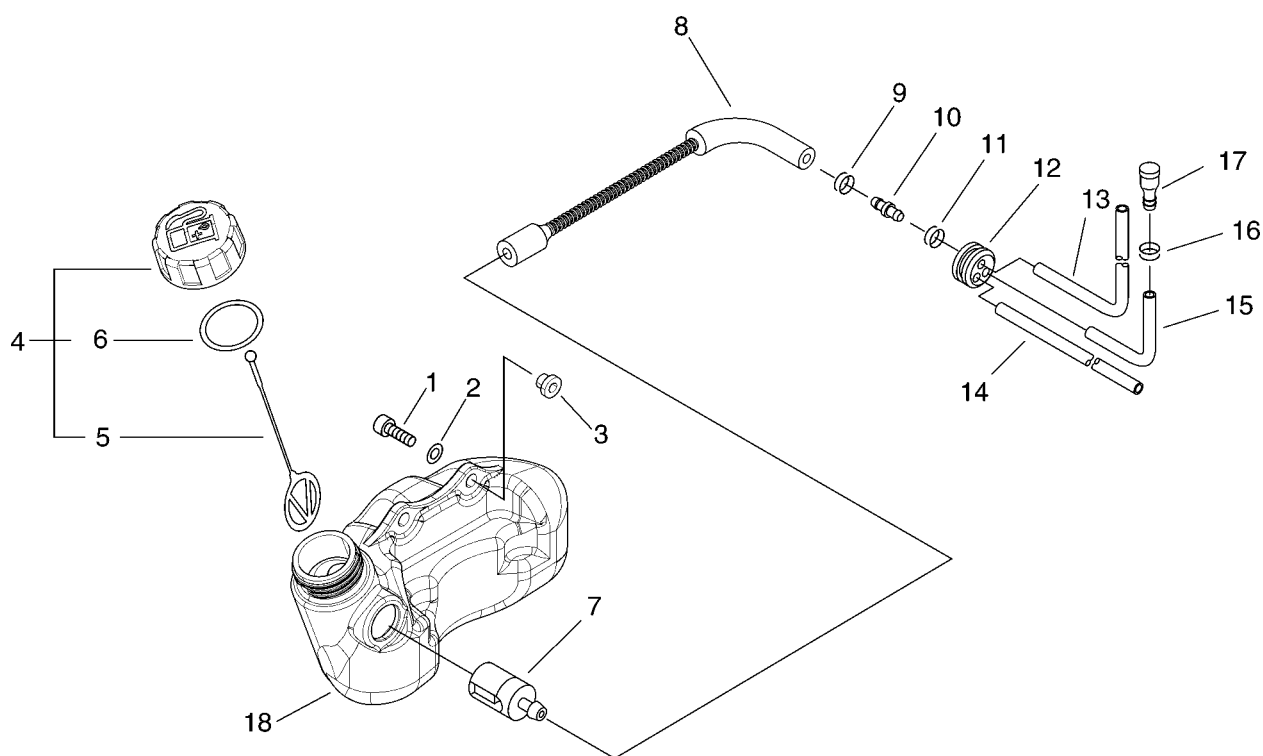
3

## Air Cleaner, Carburettor, Muffler



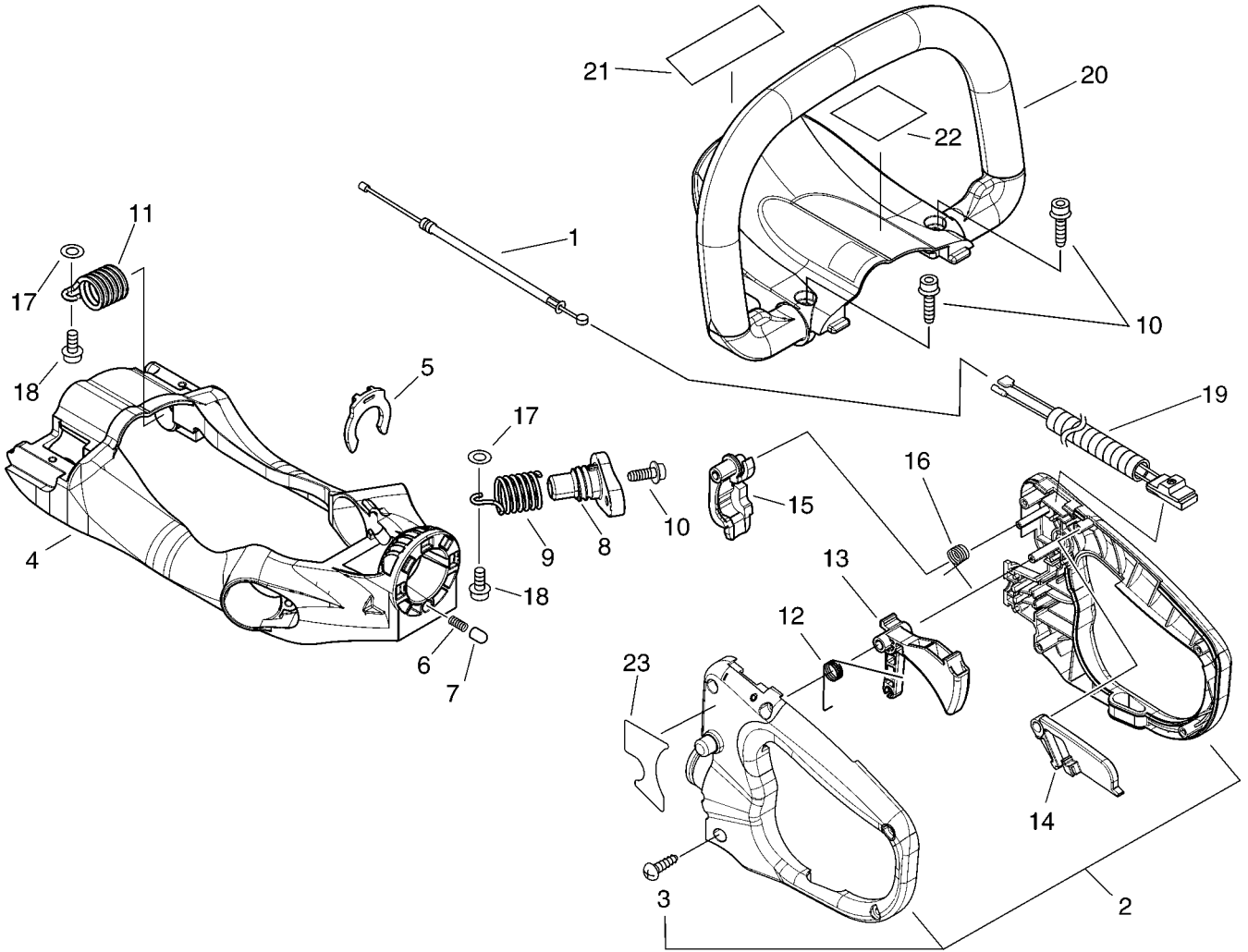
KEY	LV	PART NUMBER	Q'TY	DESCRIPTION	REMARKS
25		A232-000400	1	LID,CLEANER	
26		890332-52730	1	LABEL, CHOKE	
27		V299-000250	1	KNOB,FASTENER	

# HCR-161ES 4 Fuel Tank



KEY	LV	PART NUMBER	Q'TY	DESCRIPTION	REMARKS
1		91118-05020	3	BOLT	
2		900603-00005	3	WASHER 5	
3		V353-000231	3	COLLAR,5	
18		A350-000590	1	TANK, FUEL	
4		P021-012210	1	CAP,FUEL ASY	
5	+	A365-000060	1	CONNECTOR,CAP	
6	+	131016-55830	1	GASKET, FUEL CAP	
7		131205-07320	1	STRAINER, FUEL	
8		132012-12361	1	PIPE	
9		132013-26630	1	CLIP	
10		V186-000140	1	JOINT,PIPE	
11		132013-09820	1	CLIP	
12		132115-55930	1	GROMMET, FUEL	
13		130110-54430	1	PIPE, IMPULSE	
14		132010-40830	1	PIPE 3* 6* 75	
15		V471-001880	1	PIPE	
16		437411-19830	1	CLIP, OIL PIPE	
17		A356-000030	1	VALVE,CHECK	

# HCR-161ES 5 Handle

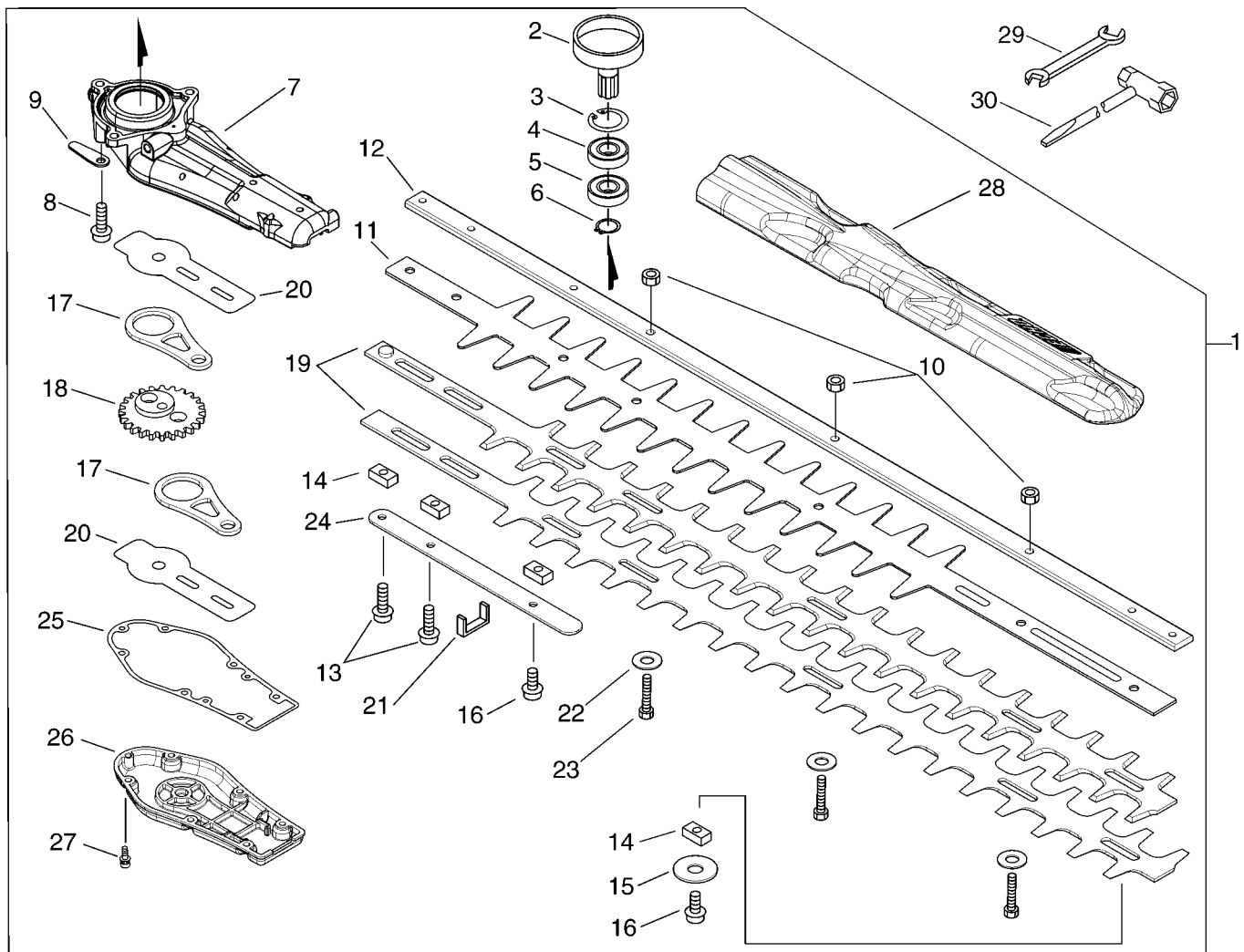


KEY	LV	PART NUMBER	Q'TY	DESCRIPTION	REMARKS
1		V430-001830	1	CABLE,BOWDEN	
2		P021-013051	1	HANDLE SET, REAR	
3	+	900256-04016	5	SCREW 4*16	
4		C600-000860	1	FRAME	
5		C423-000280	1	FIXTURE, HANDLE	
6		V450-000630	1	SPRING, COMPRESSION	
7		605611-13360	1	PIN	
8		V456-000040	2	HOLDER, SPRING	
9		V450-000620	2	SPRING, COMPRESSION	
10		91147-05020	4	BOLT HS FL TAPP	
11		V450-000610	2	SPRING, COMPRESSION	
12		V452-000300	1	SPRING, TORSION	
13		C450-000250	1	CONTROL, THROTTLE	
14		C460-000090	1	LOCKOUT, THROTTLE	
15		C427-000020	1	STOPPER, HANDLE	
16		V452-000310	1	SPRING, TORSION	
17		900603-00005	4	WASHER 5	
18		900106-05016	4	BOLT, H.S. 5*16	
19		P021-013040	1	SWITCH, ON OFF	
20		C400-000480	1	HANDLE, FRONT	
21		X502-000390	1	LABEL, ECHO	
22		X505-002030	1	LABEL, CAUTION	
23		X532-000740	1	LABEL, OPERATION	



# HCR-161ES 6

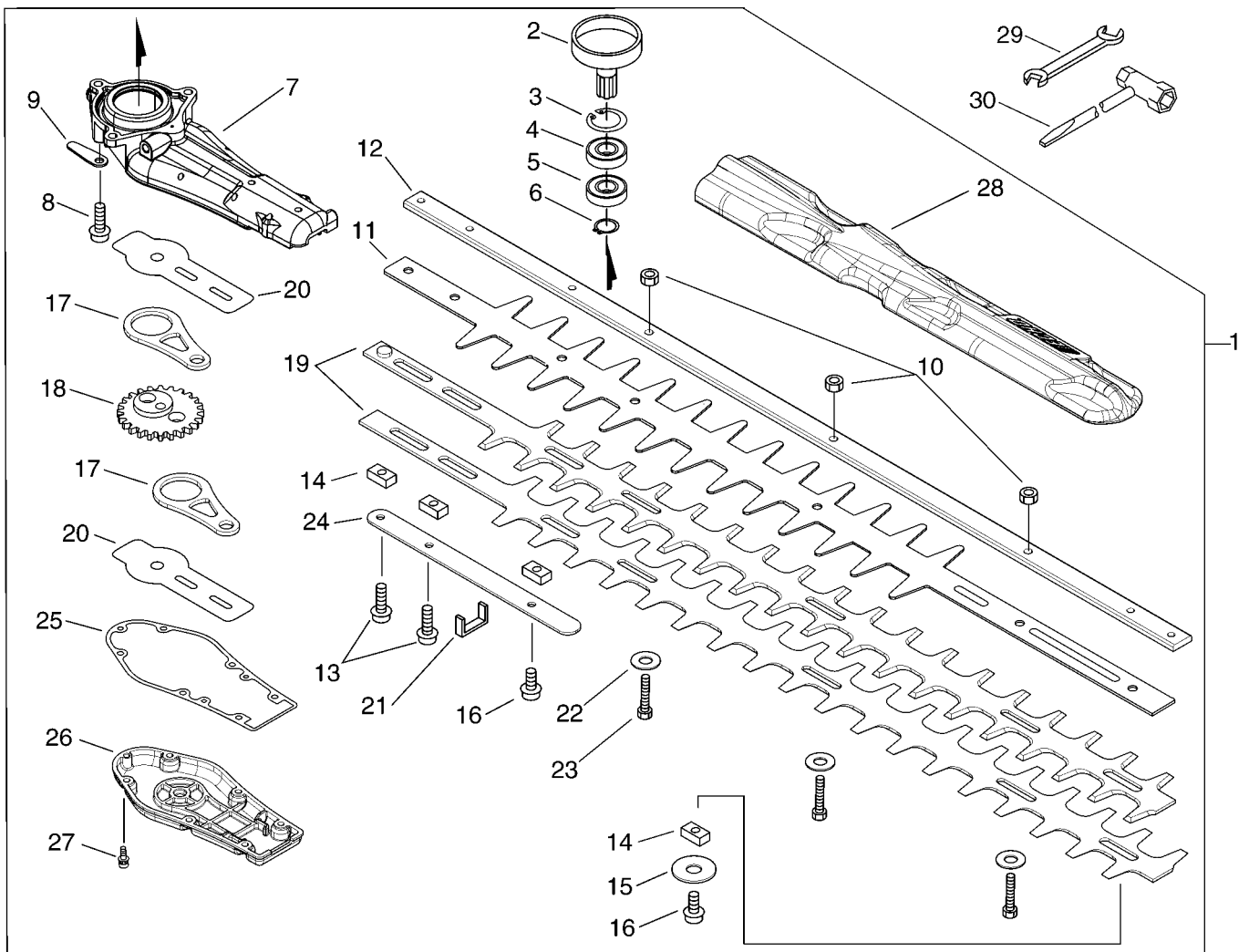
# Gear Case, Cuttler, Tools



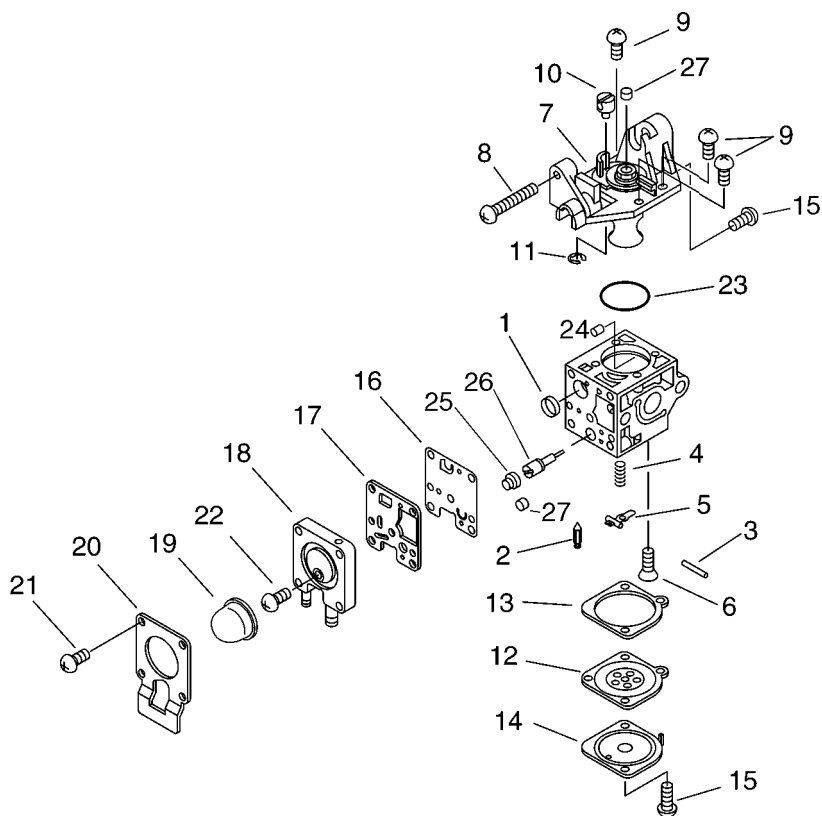
KEY	LV	PART NUMBER	Q'TY	DESCRIPTION	REMARKS
1		P021-013081	1	CASE,GEAR ASY	
2	+	A556-000470	1	DRUM, CLUTCH	
3	+	900702-00035	1	CIRCLIP 35	
4	+	900812-06202	1	BEARING, BALL 6202	
5	+	900810-36202	1	BEARING, BALL 6202	
6	+	900701-00014	1	CIRCLIP 14	
7	+	P021-013070	1	CASE,GEAR	
8	+	91107-06020	3	BOLT HSH FLANGE	
9	+	C628-000030	1	PIECE, PLATE	
10	+	433022-06460	3	NUT	
11	+	X431-000030	1	BLUNT	
12	+	X425-000350	1	SUPPORT,CUTTER	
13	+	900106-05025	2	BOLT, H.S. 5*25	
14	+	V353-000250	4	COLLAR,5	
15	+	177214-21860	1	WASHER	
16	+	900106-05014	2	BOLT, H.S. 5*14	
17	+	C532-000170	2	ROD, CONNECTING	
18	+	V650-000300	1	GEAR, SPUR	
19	+	X411-000570	2	CUTTER	
20	+	V150-001810	2	PLATE,EYE	
21	+	V541-000140	1	SEAL	
22	+	699118-04560	3	WASHER	
23	+	699115-06960	3	BOLT, CUTTER	
24	+	V150-001800	1	PLATE,EYE	

# HCR-161ES 6

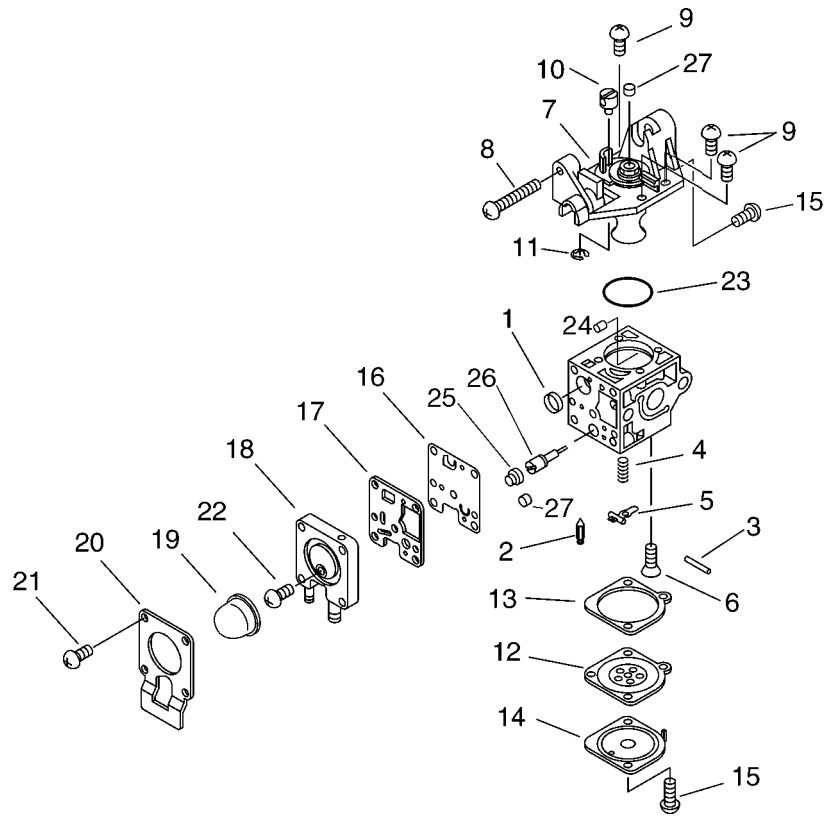
# Gear Case, Cuttler, Tools



KEY	LV	PART NUMBER	Q'TY	DESCRIPTION	REMARKS
25	+	V110-000060	1	GASKET,GEAR CASE	
26	+	C539-000020	1	LID,GEARCASE	
27	+	91118-04016	6	BOLT	
28	+	X495-000110	1	SCABBARD,BLADE	
29		895112-00330	1	SPANNER 8*10	
30		895410-00430	1	WRENCH, W/S. DRIVER	



KEY	LV	PART NUMBER	Q'TY	DESCRIPTION	REMARKS
		A021-001450	1	CARBURETOR,DIAPHRAGM	
1	+	P005-000010	1	STRAINER	
2	+	125337-08260	1	VALVE, INLET NEEDLE	
3	+	125338-13930	1	PIN, METERING ARM	
4	+	P005-000940	1	SPRING, METER. LEVER	
5	+	125323-08260	1	ARM, VALVE	
6	+	125339-42030	1	SCREW	
7	+	P005-001320	1	COVER ASY, ROTOR	
8	+	P005-000100	1	SCREW,THROTTLADJUST	
9	+	125344-13931	3	SCREW	
10	+	P005-001240	1	POST	
11	+	P005-000190	1	E-RING	
12	+	P005-001780	1	DIAPHRAGM	
13	+	P005-000200	1	GASKET, METERING	
14	+	125342-52130	1	COVER, DIAPHRAGM	
15	+	125344-52130	3	SCREW	
16	+	P005-000510	1	DIAPHRAGM, PUMP	
17	+	P005-000520	1	GASKET, PUMP	
18	+	P005-001890	1	BASE, ASY PRIMER	
19	+	125381-08660	1	PUMP, PRIMING	
20	+	P005-000250	1	RETAINER	
21	+	P005-001900	4	SCREW	
22	+	P005-000270	1	SCREW	
23	+	P005-000280	1	O-RING	



KEY	LV	PART NUMBER	Q'TY	DESCRIPTION	REMARKS
24	+	P005-001000	1	ROLLER, GUIDE	
25	+	P005-001250	1	RETAINER, PLUG BALL	
26	+	P005-001260	1	SCREW, MAINN MIXTURE	
27	+	P005-001270	2	PLUG, H AJUST SCREW	

KEY	LV	PART NUMBER	Q'TY	DESCRIPTION	REMARKS
		P005-001660	1	DIAPHRAGM/GASKET KIT	
7-12	+	P005-001780	1	DIAPHRAGM	
7-13	+	P005-000200	1	GASKET, METERING	
7-16	+	P005-000510	1	DIAPHRAGM, PUMP	
7-17	+	P005-000520	1	GASKET, PUMP	
		P005-001670	1	REBUILD KIT	
7-1	+	P005-000010	1	STRAINER	
7-2	+	125337-08260	1	VALVE, INLET NEEDLE	
7-3	+	125338-13930	1	PIN, METERING ARM	
7-4	+	P005-000940	1	SPRING, METER. LEVER	
7-5	+	125323-08260	1	ARM, VALVE	
7-12	+	P005-001780	1	DIAPHRAGM	
7-13	+	P005-000200	1	GASKET, METERING	
7-16	+	P005-000510	1	DIAPHRAGM, PUMP	
7-17	+	P005-000520	1	GASKET, PUMP	
7-24	+	P005-001000	1	ROLLER, GUIDE	

**Index**

<b>Parts Number</b>	<b>Key No.</b>	<b>Parts Number</b>	<b>Key No.</b>	<b>Parts Number</b>	<b>Key No.</b>
A011-000223	1 - 7	P005-000280	7 - 23	V452-000300	5 - 12
A021-001450	3 - 17	P005-000510	7 - 16	V452-000310	5 - 16
A021-001450	7 -	P005-000510	8 -	V456-000040	5 - 8
A051-001110	2 - 4	P005-000520	7 - 17	V471-001880	4 - 15
A052-000210	2 - 17	P005-000520	8 -	V475-001610	2 - 23
A056-000190	2 - 31	P005-000940	7 - 4	V485-000870	2 - 26
A101-000090	1 - 13	P005-000940	8 -	V541-000140	6 - 21
A127-000170	1 - 19	P005-001000	7 - 24	V650-000300	6 - 18
A130-000550	1 - 15	P005-001000	8 -	X411-000570	6 - 19
A160-000880	1 - 17	P005-001240	7 - 10	X425-000350	6 - 12
A200-000300	3 - 14	P005-001250	7 - 25	X431-000030	6 - 11
A232-000400	3 - 25	P005-001260	7 - 26	X495-000110	6 - 28
A313-000870	3 - 5	P005-001270	7 - 27	X502-000330	2 - 1
A313-000880	3 - 7	P005-001320	7 - 7	X502-000390	5 - 21
A320-000430	3 - 10	P005-001660	8 -	X503-007710	2 - 16
A323-000010	3 - 11	P005-001670	8 -	X505-002030	5 - 22
A350-000590	4 - 18	P005-001780	7 - 12	X530-000210	2 - 15
A356-000030	4 - 17	P005-001780	8 -	X532-000740	5 - 23
A365-000060	4 - 5	P005-001890	7 - 18	100013-11520	1 - 12
A409-000210	2 - 22	P005-001900	7 - 21	100014-08960	1 - 9
A411-000130	2 - 25	P021-007772	1 - 8	100015-04630	1 - 11
A425-000000	2 - 27	P021-012210	4 - 4	100113-05930	1 - 10
A426-000010	2 - 28	P021-013020	3 - 21	100204-52132	1 - 1
A427-000012	2 - 29	P021-013040	5 - 19	100212-42031	1 - 2
A507-000030	2 - 8	P021-013051	5 - 2	100215-03930	1 - 6
A552-000080	2 - 34	P021-013070	6 - 7	100242-42030	1 - 5
A556-000470	6 - 2	P021-013081	6 - 1	125323-08260	7 - 5
A566-000000	2 - 32	P022-006830	2 - 6	125323-08260	8 -
A570-000140	2 - 35	P022-007980	2 - 19	125337-08260	7 - 2
C152-000410	1 - 20	P022-008260	2 - 11	125337-08260	8 -
C400-000480	5 - 20	P022-020030	2 - 18	125338-13930	7 - 3
C423-000280	5 - 5	V100-000160	1 - 14	125338-13930	8 -
C427-000020	5 - 15	V103-000180	3 - 13	125339-42030	7 - 6
C450-000250	5 - 13	V103-000410	3 - 16	125342-52130	7 - 14
C460-000090	5 - 14	V104-000850	3 - 9	125344-13931	7 - 9
C482-000050	3 - 20	V110-000060	6 - 25	125344-52130	7 - 15
C482-000060	3 - 19	V150-001800	6 - 24	125381-08660	7 - 19
C532-000170	6 - 17	V150-001810	6 - 20	129011-52730	3 - 22
C539-000020	6 - 26	V186-000140	4 - 10	130110-54430	4 - 13
C600-000860	5 - 4	V202-000030	2 - 3	130310-54130	3 - 24
C628-000030	6 - 9	V202-000090	2 - 2	131016-55830	4 - 6
P005-000010	7 - 1	V299-000250	3 - 27	131205-07320	4 - 7
P005-000010	8 -	V353-000231	4 - 3	132010-40830	4 - 14
P005-000100	7 - 8	V353-000250	6 - 14	132012-12361	4 - 8
P005-000190	7 - 11	V430-001830	5 - 1	132013-09820	4 - 11
P005-000200	7 - 13	V450-000610	5 - 11	132013-26630	4 - 9
P005-000200	8 -	V450-000620	5 - 9	132115-55930	4 - 12
P005-000250	7 - 20	V450-000630	5 - 6	145806-42030	3 - 3
P005-000270	7 - 22	V452-000150	2 - 7	145866-42031	3 - 4

**Index**

<b>Parts Number</b>	<b>Key No.</b>	<b>Parts Number</b>	<b>Key No.</b>	<b>Parts Number</b>	<b>Key No.</b>
175017-44331	2 - 33				
177214-21860	6 - 15				
177220-42030	2 - 5				
177227-42030	2 - 10				
177228-27030	2 - 12				
177236-61830	2 - 9				
177246-11120	2 - 13				
433022-06460	6 - 10				
437411-19830	4 - 16				
605611-13360	5 - 7				
610350-12360	2 - 30				
699115-06960	6 - 23				
699118-04560	6 - 22				
890332-52730	3 - 26				
895112-00330	6 - 29				
895410-00430	6 - 30				
900105-05055	3 - 1				
900106-05014	6 - 16				
900106-05016	5 - 18				
900106-05025	6 - 13				
900162-05022	1 - 16				
900162-05025	3 - 15				
900162-05028	1 - 3				
900163-04016	2 - 36				
900242-04010	3 - 6				
900242-05065	3 - 23				
900256-04016	5 - 3				
900512-00008	2 - 21				
900600-00005	3 - 2				
900600-00008	2 - 20				
900603-00005	4 - 2				
900603-00005	5 - 17				
900701-00014	6 - 6				
900702-00035	6 - 3				
900810-36202	6 - 5				
900812-06202	6 - 4				
91107-04010	3 - 8				
91107-06020	6 - 8				
91113-04020	2 - 24				
91118-04016	6 - 27				
91118-05016	1 - 21				
91118-05020	4 - 1				
91121-05016	1 - 18				
91121-05016	3 - 12				
91147-05020	5 - 10				
92003-07000	3 - 18				
94035-36201	1 - 4				



# KIORITZ CORPORATION

7-2 SUEHIROCHO 1-CHOME, OHME, TOKYO 198-8711, JAPAN  
PHONE: 81-428-32-6118. FAX: 81-428-32-6145.

**ECHO**<sup>®</sup>

200706 No.64-146(640663)