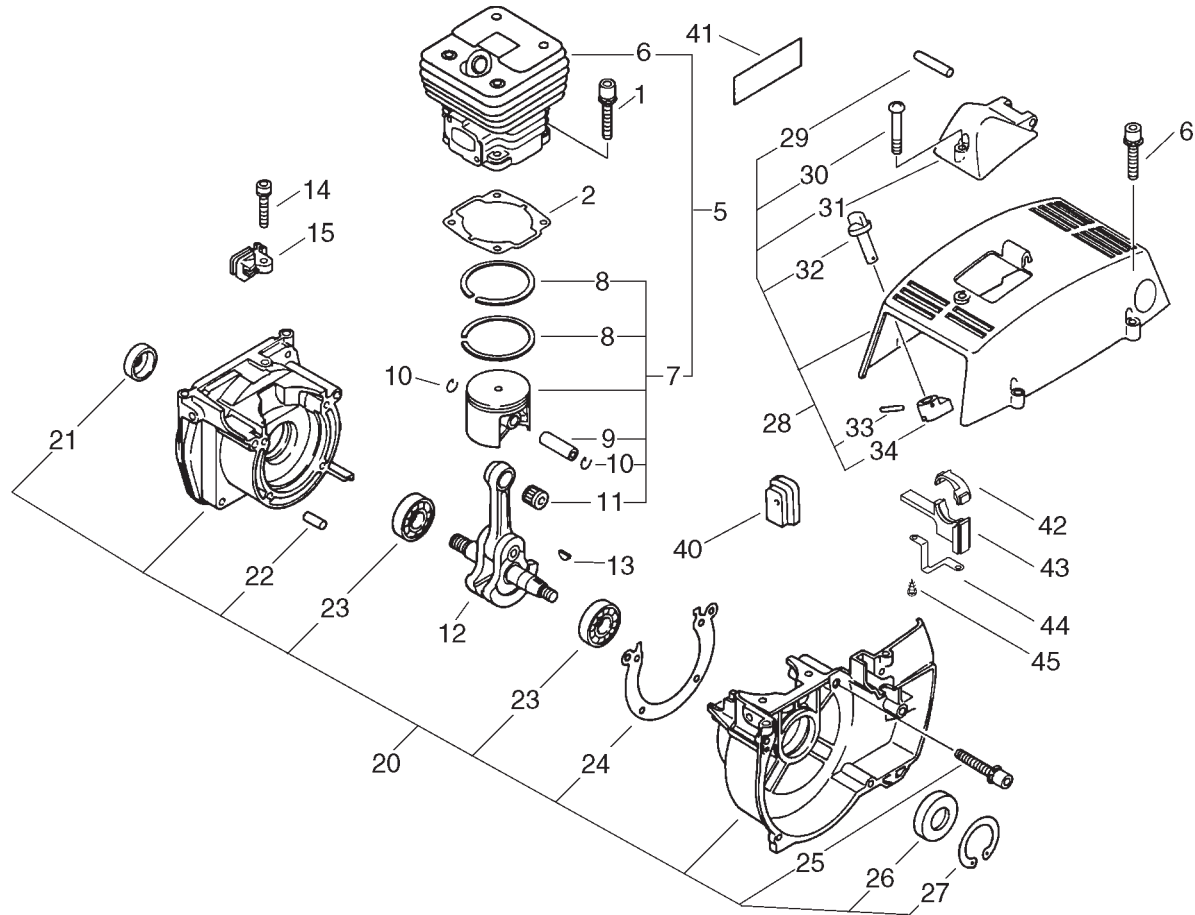


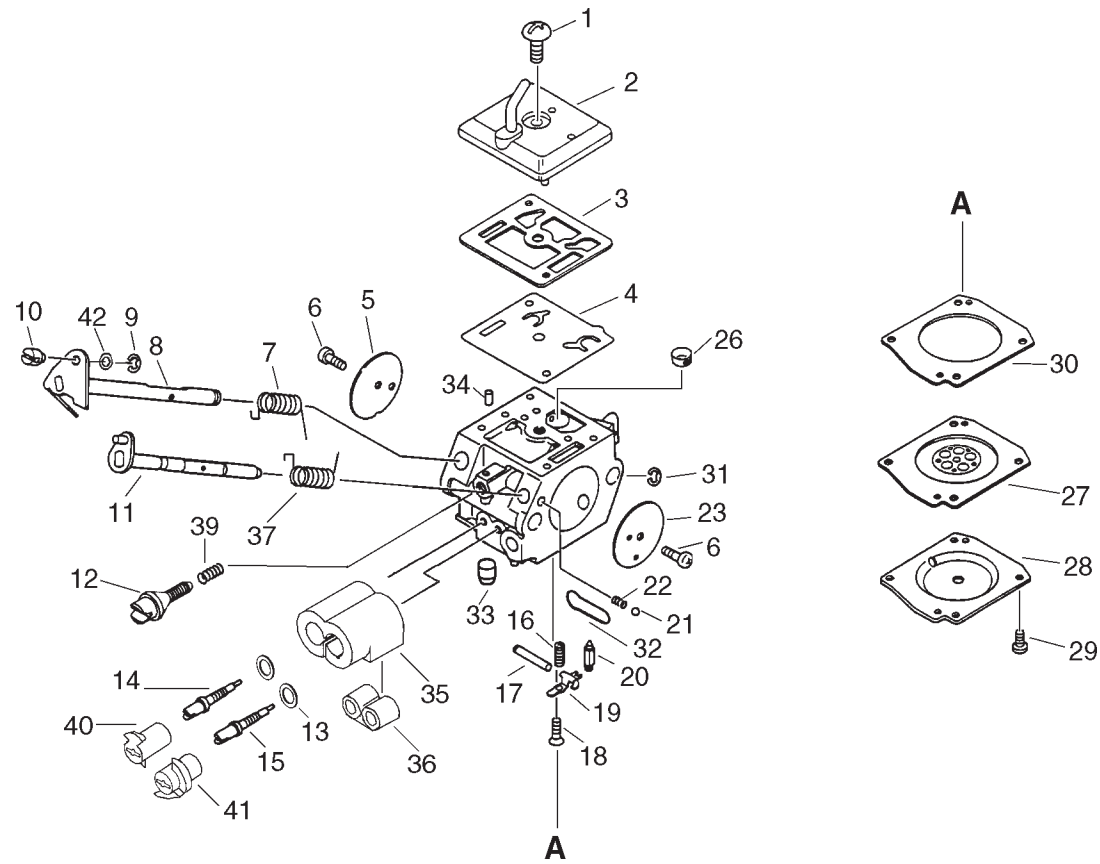
KEY	LV	PART NUMBER	QTY	DESCRIPTION	REMARKS
1		900162-05022	8	BOLT, H.S. 5*22	
2		101010-54430	1	GASKET, CYL. BASE	
5		P021-009180	1	CYLINDER, PISTON KIT	
6	+	A130-000590	1	CYLINDER	
7	+	P021-007300	1	PISTON KIT	
8	++	100011-32330	2	RING, PISTON	
9	++	100013-54430	1	PIN, PISTON	
10	++	100015-00120	2	CIRCLIP, PISTON PIN	
11	++	100012-12331	1	BEARING, NEEDLE	
12		100100-54432	1	CRANKSHAFT	
13		900323-03014	1	KEY WOODRUFF	
14		900105-05016	1	BOLT, H.S. 5*16	
15		178112-54432	1	HOLDER, THROTTLE WIRE	
20		100204-54431	1	CRANKCASE KIT	
21	+	100212-19830	1	OILSEAL	
22	+	100215-03930	2	PIN, DOWEL	
23	+	900810-36202	2	BEARING, BALL 6202	
24	+	100242-54430	1	GASKET, CRANKCASE	
25	+	900162-05035	4	BOLT, H.S. 5*35	
26	+	100213-02830	1	OILSEAL	
27	+	900702-00035	1	CIRCLIP 35	
28		P021-007442	1	COVER, CYLINDER	
29	+	900330-40298	1	PIN 4*29.8	
30	+	163890-38330	1	BOLT, 5	



KEY	LV	PART NUMBER	Q'TY	DESCRIPTION	REMARKS
31	+	159015-54430	1	COVER, PLUG CAP	
32	+	178510-54430	1	ROD, CHOKE	
33	+	900342-20010	1	PIN, SPRING 2*10	
34	+	178522-54430	1	END, LEVER	
40		178215-54431	1	GROMMET	
41		890112-54430	1	LABEL, MODEL	
42		V541-000110	1	SEAL	
43		V541-000120	1	SEAL	
44		V152-001420	1	PLATE, ANGLE	
45		900253-04016	2	SCREW 4*16	

CLS-5800
CLS-5810

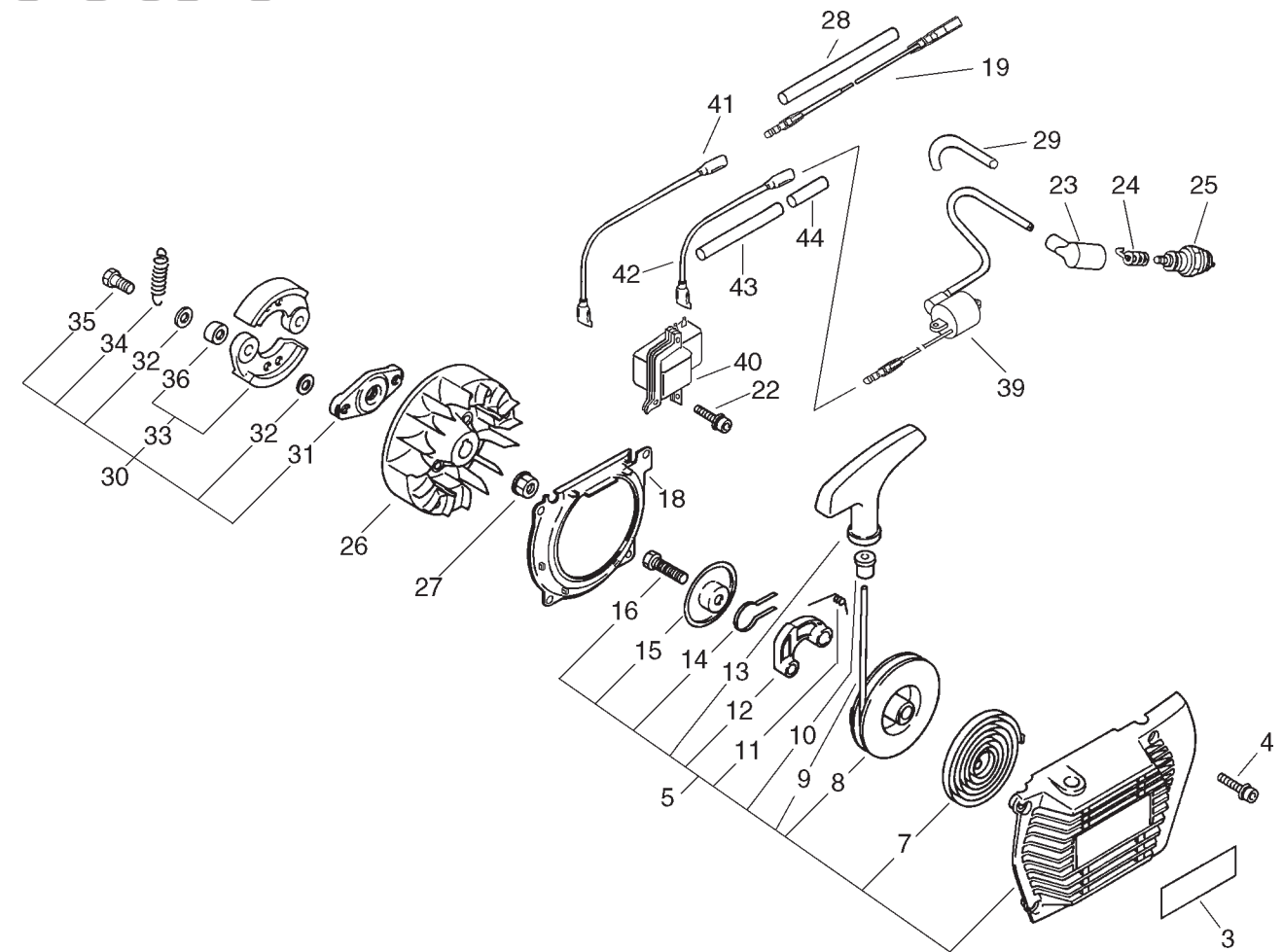
8 Carburettor



KEY	LV	PART NUMBER	Q'TY	DESCRIPTION	REMARKS
26	+	125326-08360	1	STRAINER	
27	+	125341-54430	1	DIAPHRAGM	
28	+	P005-001850	1	COVER, DIAPHRAGM	
29	+	125344-52130	4	SCREW	
30	+	P005-001440	1	GASKET, METERING	
31	+	125327-15130	1	CLIP	
32	+	125345-15130	1	PLUG, WELCH	
33	+	P005-001470	1	NOZZLE, CHECK VALVE	
34	+	125378-13930	1	PIECE, FRICTION	
35	+	P005-001510	1	RETAINER, LIMIT CAP	
36	+	P005-001500	1	SCREW, BOOT ADJUST	
37	+	P005-001560	1	SPRING, CHOKE RETURN	
39	+	125333-08560	1	SPRING, ADJUST SCREW	
40	+	P005-001530	1	LIMITER, TEMPER	
41	+	P005-001520	1	LIMITER, TEMPER	
42	+	P005-001870	1	WASHER	

CLS-5800
CLS-5810

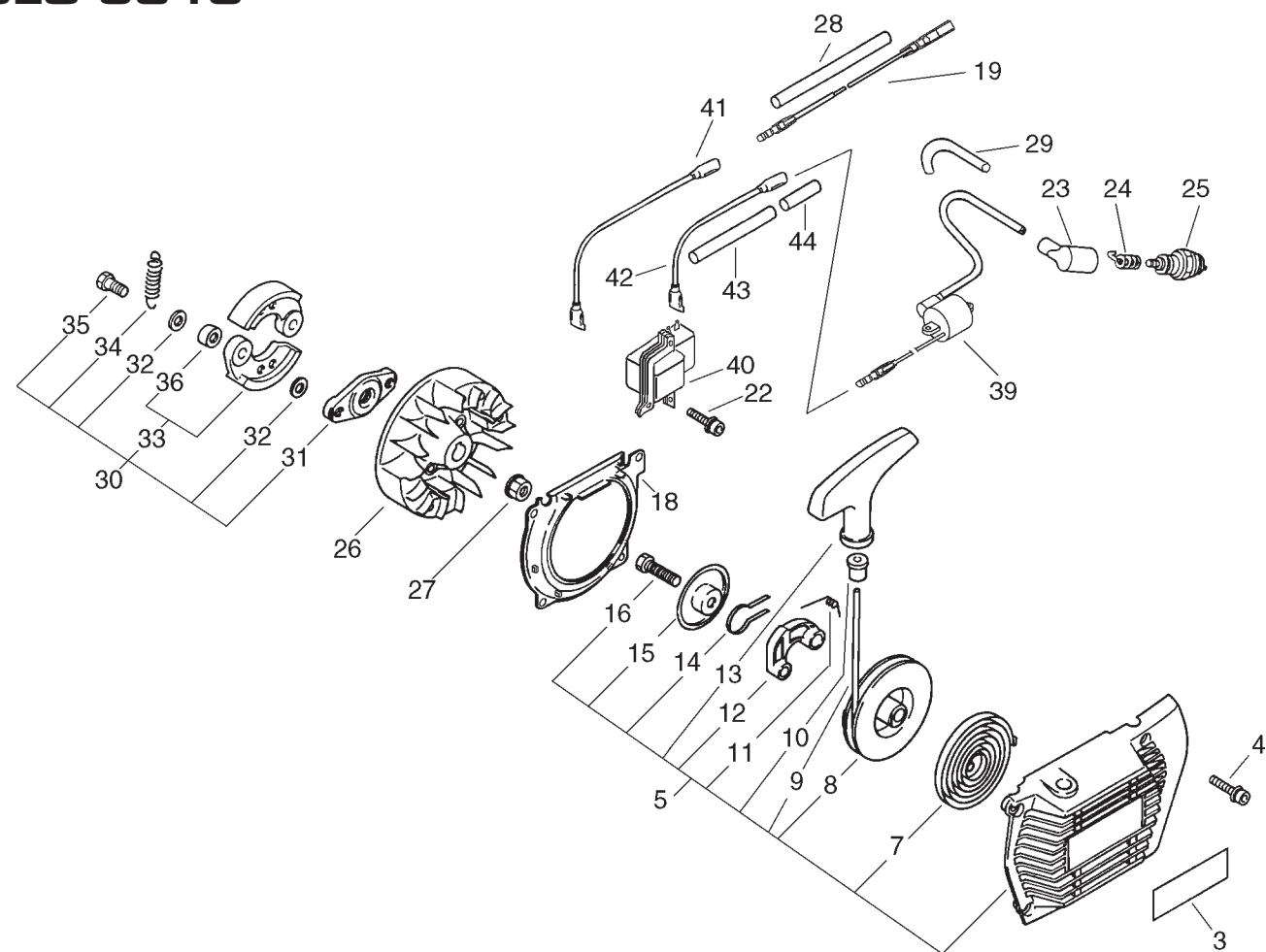
2 Starter, Magneto, Clutch



KEY	LV	PART NUMBER	Q'TY	DESCRIPTION	REMARKS
3		890118-54430	1	LABEL, ECHO	
4		900162-05022	4	BOLT, H.S. 5*22	
5		177200-54432	1	STARTER ASY	
7	+	177220-00220	1	SPRING, REWIND	
8	+	177215-06230	1	DRUM, STARTER	
9	+	177226-06230	1	ROPE, STARTER	
10	+	177227-05530	1	GUIDE, ROPE	
11	+	177234-54430	1	SPRING, RETURN	
12	+	177218-54430	1	PAWL, STARTER	
13	+	177228-11120	1	GRIP, STARTER	
14	+	177233-54430	1	SPRING, FRICTION	
15	+	177211-06230	1	PLATE, FRICTION	
16	+	900100-06012	1	BOLT 6*12	
18		101511-54431	1	COVER, FAN	
19		V485-000160	1	LEAD	
22		900162-05022	2	BOLT, H.S. 5*22	
23		159012-01620	1	CAP, SPARK PLUG	
24		159011-03432	1	COIL, SPARK PLUG CAP	
25		A425-000000	1	PLUG, SPARK	
26		A409-000221	1	ROTOR, MAGNETO	
27		900517-00010	1	NUT	
28		V475-001610	1	TUBE	
29		150623-16130	1	TUBE	
30		175000-54431	1	CLUTCH ASY	

CLS-5800
CLS-5810

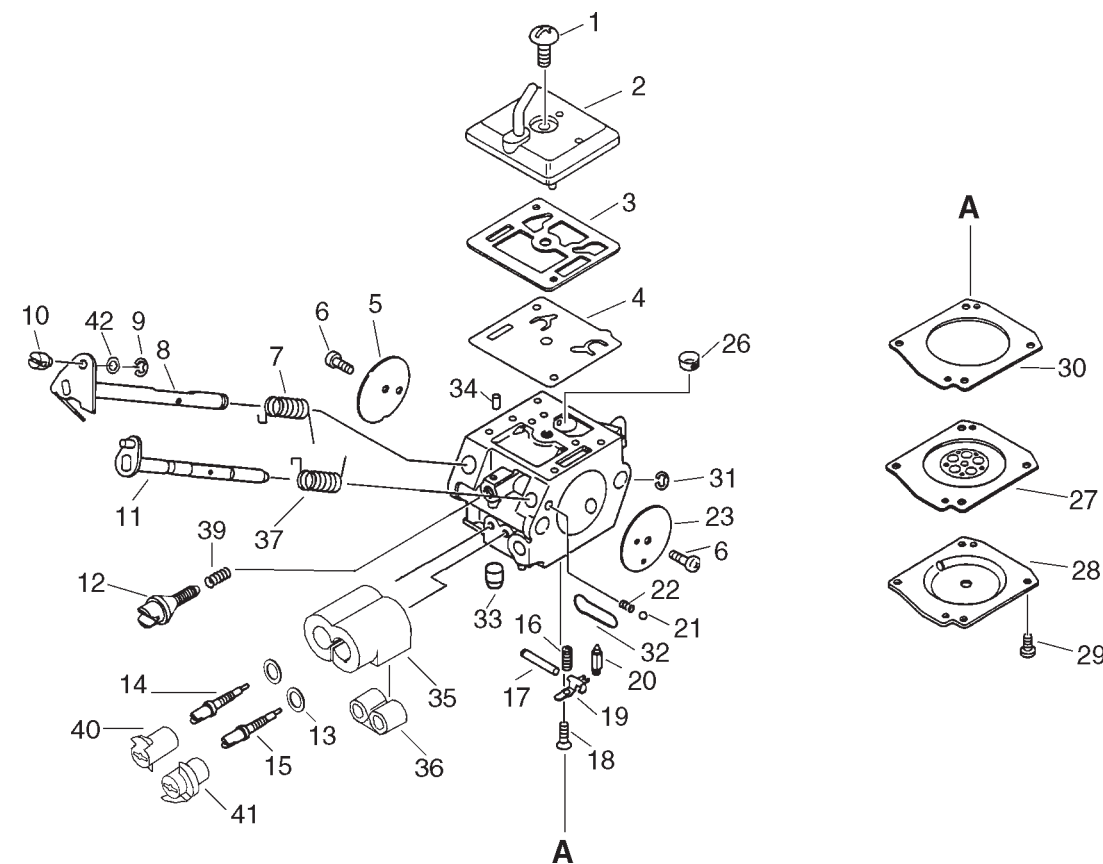
2 Starter, Magneto, Clutch



KEY	LV	PART NUMBER	Q'TY	DESCRIPTION	REMARKS
31	+	175016-54430	1	HUB, CLUTCH	
32	+	175014-11231	4	WASHER, CLUTCH	
33	+	175009-54430	2	SHOE, CLUTCH	
36	++	175030-54430	2	MÉTAL	
34	+	175018-54430	1	SPRING, CLUTCH	
35	+	175046-54430	2	SHAFT, CLUTCH	
39		A411-000191	1	COIL,IGNITION	
40		A410-000000	1	COIL,EXCITER	
41		162010-04561	1	LEAD,GROUND	
42		V485-000510	1	LEAD	
43		V475-003570	1	TUBE	
44		178016-47430	1	TUBE	

CLS-5800
CLS-5810

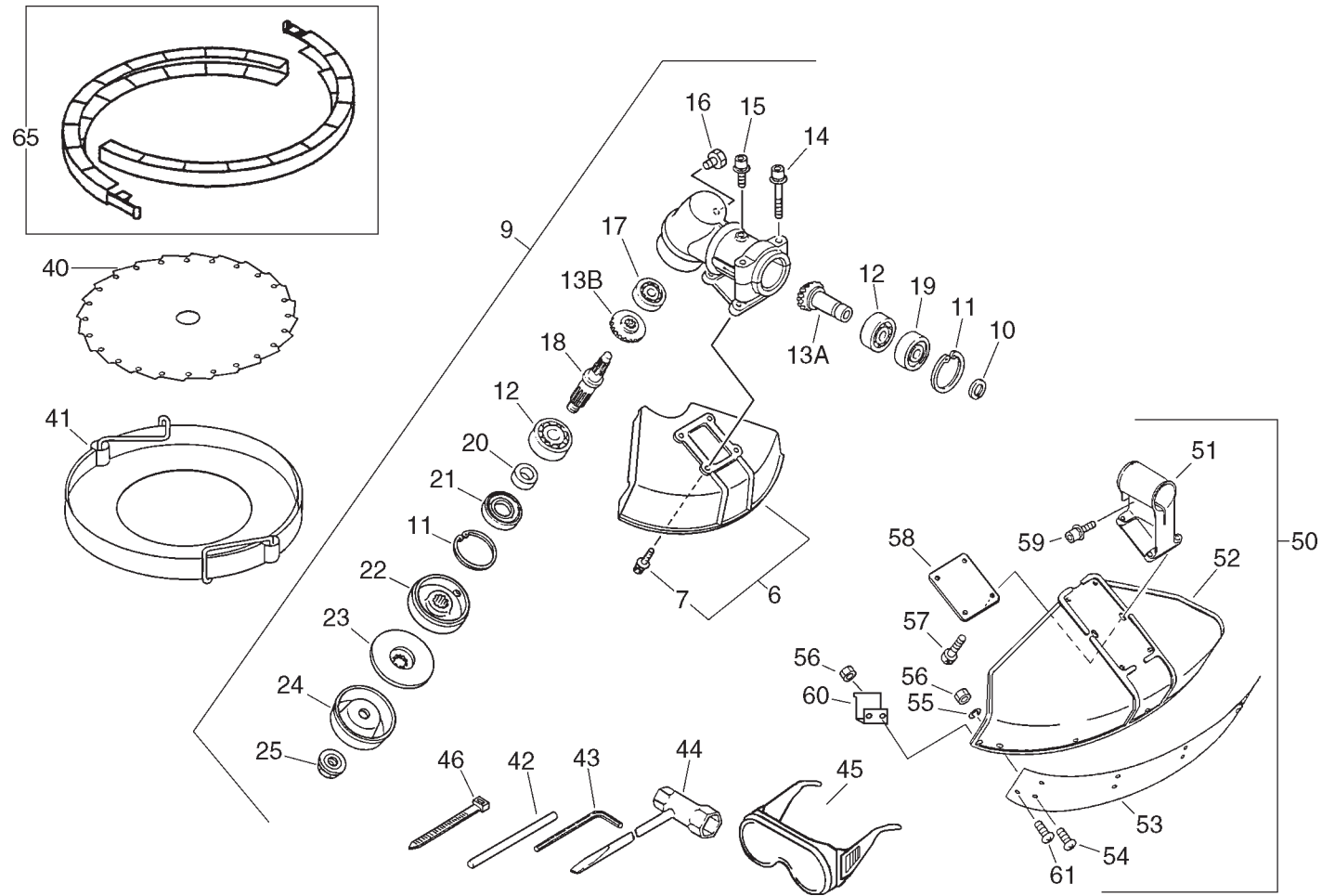
8 Carburettor



KEY	LV	PART NUMBER	Q'TY	DESCRIPTION	REMARKS
		A021-000951	1	CARBURETOR,DIAPHRAGM	
1	+	125310-13930	1	SCREW	
2	+	125324-54430	1	COVER, PUMP	
3	+	P005-001430	1	GASKET, PUMP	
4	+	P005-001420	1	DIAPHRAGM, PUMP	
5	+	125316-54430	1	VALVE, THROTTLE	
6	+	125314-51230	2	SCREW	
7	+	125313-54430	1	SPRING, THRT. RETURN	
8	+	P005-001610	1	SHAFT ASY,THROTTLE	
9	+	125327-13930	1	CLIP	
10	+	P005-001860	1	SWIVEL	
11	+	P005-001490	1	SHAFT, CHOKE	
12	+	P005-001480	1	SCREW,THROTTLEADJUST	
13	+	125353-20560	2	WASHER	
14	+	P005-001460	1	SCREW, IDLE MIXTURE	
15	+	P005-001450	1	SCREW,MAINN MIXTURE	
16	+	125322-11520	1	SPRING, COIL	
17	+	125338-13930	1	PIN, METERING ARM	
18	+	125339-13930	1	SCREW	
19	+	125323-08260	1	ARM, VALVE	
20	+	125337-08260	1	VALVE, INLET NEEDLE	
21	+	125336-33330	1	BÁLL, STEEL	
22	+	125335-33330	1	SPRINGT, FRICTION	
23	+	125332-33330	1	VALVE, CHOKE	

CLS-5800
CLS-5810

7 Gear Case, Blade Shield, Tools



KEY	LV	PART NUMBER	Q'TY	DESCRIPTION	REMARKS
-----	----	-------------	------	-------------	---------

CLS-5800

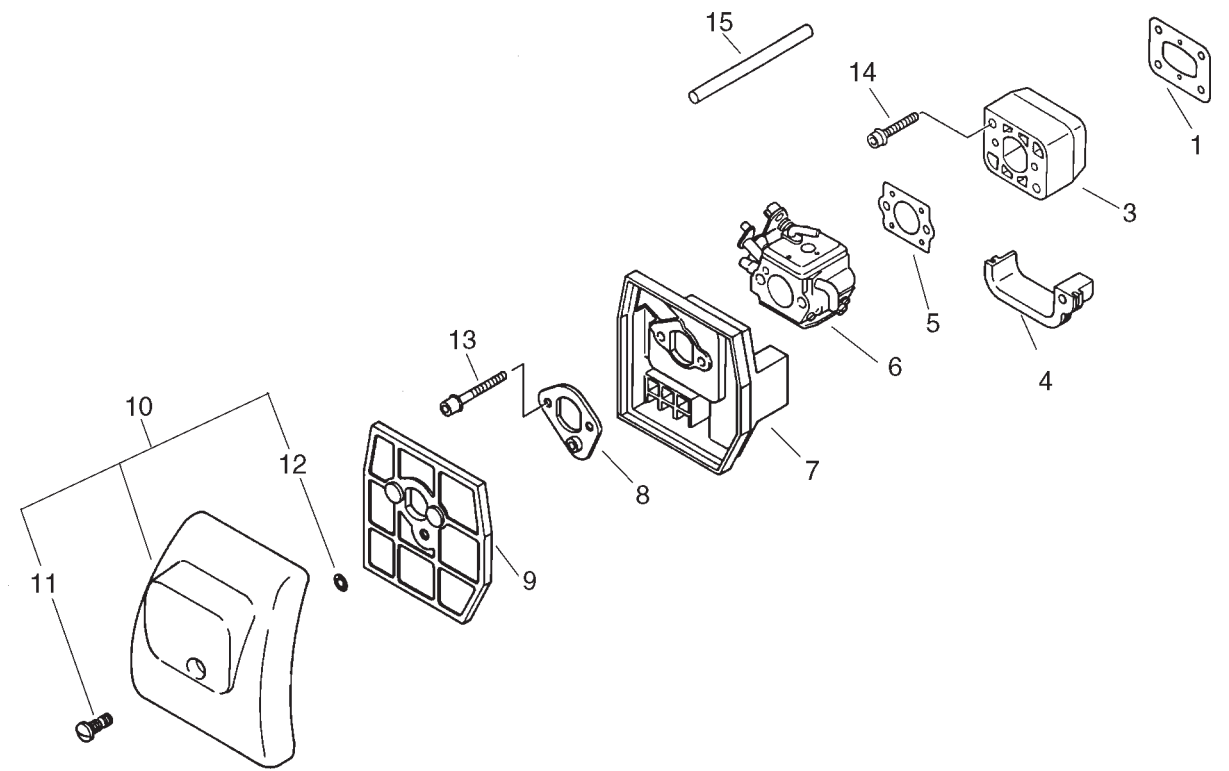
6		699000-47531	1	SHIELD ASY	
7	+	900162-05020	4	BOLT, H.S. 5*20	
40		695001-51530	1	SAW, EIA200-20	
41		898503-08031	1	COVER SET, CUTTER	

CLS-5810

50		699000-54530	1	SHIELD ASY	
51	+	699011-51530	1	BRACKET, SHIELD	
52	+	699010-54430	1	SHIELD, BLADE	
53	+	699013-52130	1	PLATE, SHIELD	
54	+	900162-05018	4	BOLT, H.S. 5*18	
55	+	900603-00005	4	WASHER 5	
56	+	900500-00005	6	NUT 5	
57	+	900162-05014	4	BOLT, H.S. 5*14	
58	+	699015-52130	1	PLATE, SHIELD	
59	+	900162-05025	2	BOLT, H.S. 5*25	
60	+	699016-54530	1	KNIFE	
61	+	900162-05012	2	BOLT, H.S. 5*12	
65		P021-007470	1	SCABBARD KIT, BLADE	

CLS-5800
CLS-5810

3 Air Cleaner, Carburettor

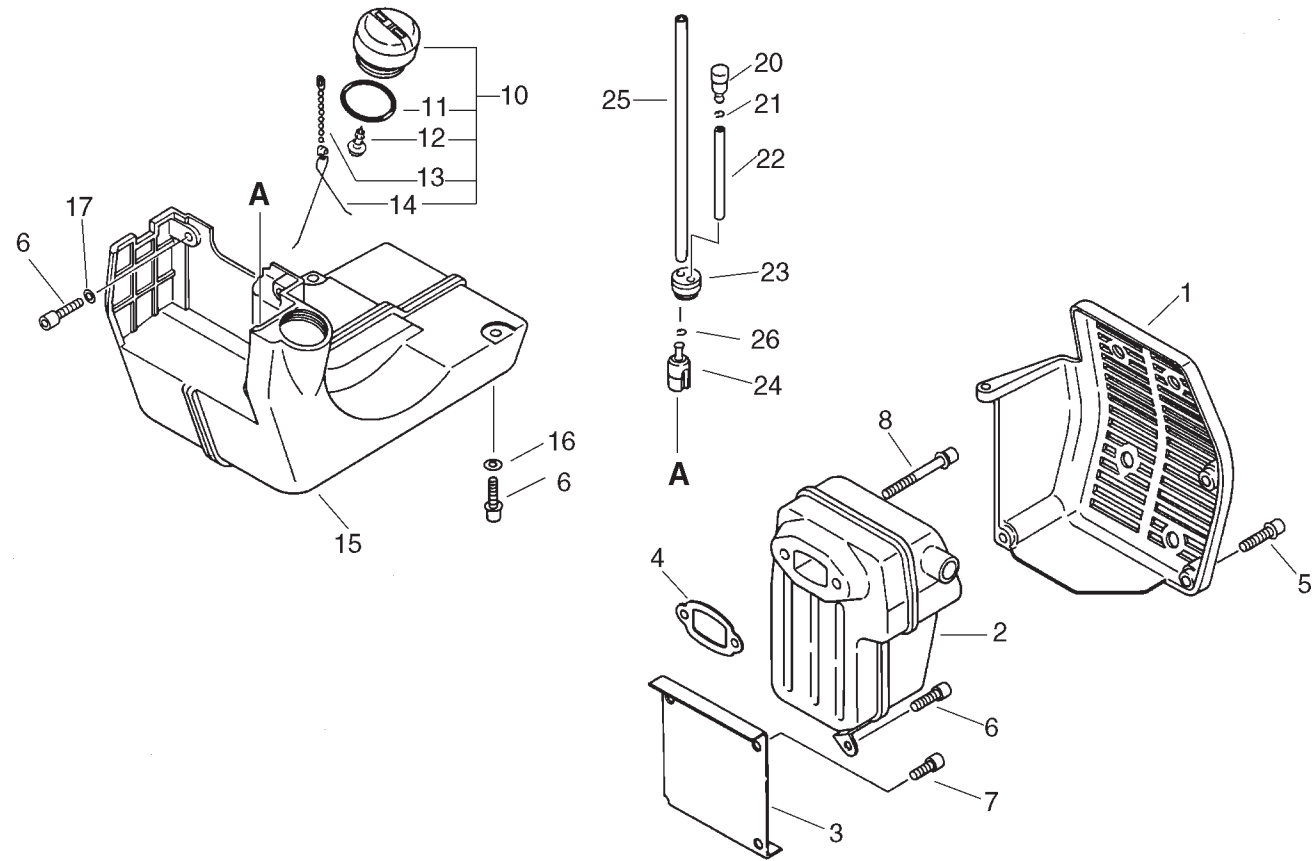


KEY	LV	PART NUMBER	Q'TY	DESCRIPTION	REMARKS
-----	----	-------------	------	-------------	---------

1		130010-54430	1	GASKET, INTAKE	
3		130007-54430	1	INSULATOR	
4		130012-54430	1	SEAL	
5		130016-54430	1	GASKET, INTAKE	
6		A021-000951	1	CARBURETOR	
7		130314-54430	1	CASE, CLEANER	
8		130420-54430	1	BRACKET, AIR CLEANER	
9		130310-54430	1	FILTER, AIR	
10		130302-54431	1	COVER ASY, AIR CLN.	
11	+	130415-40630	1	SCREW	
12	+	900720-00004	1	O-RING (P-4)	
13		900105-05055	2	BOLT, H.S. 5*55	
14		900162-05030	2	BOLT, H.S. 5*30	
15		130110-54430	1	PIPE, IMPULSE	

CLS-5800
CLS-5810

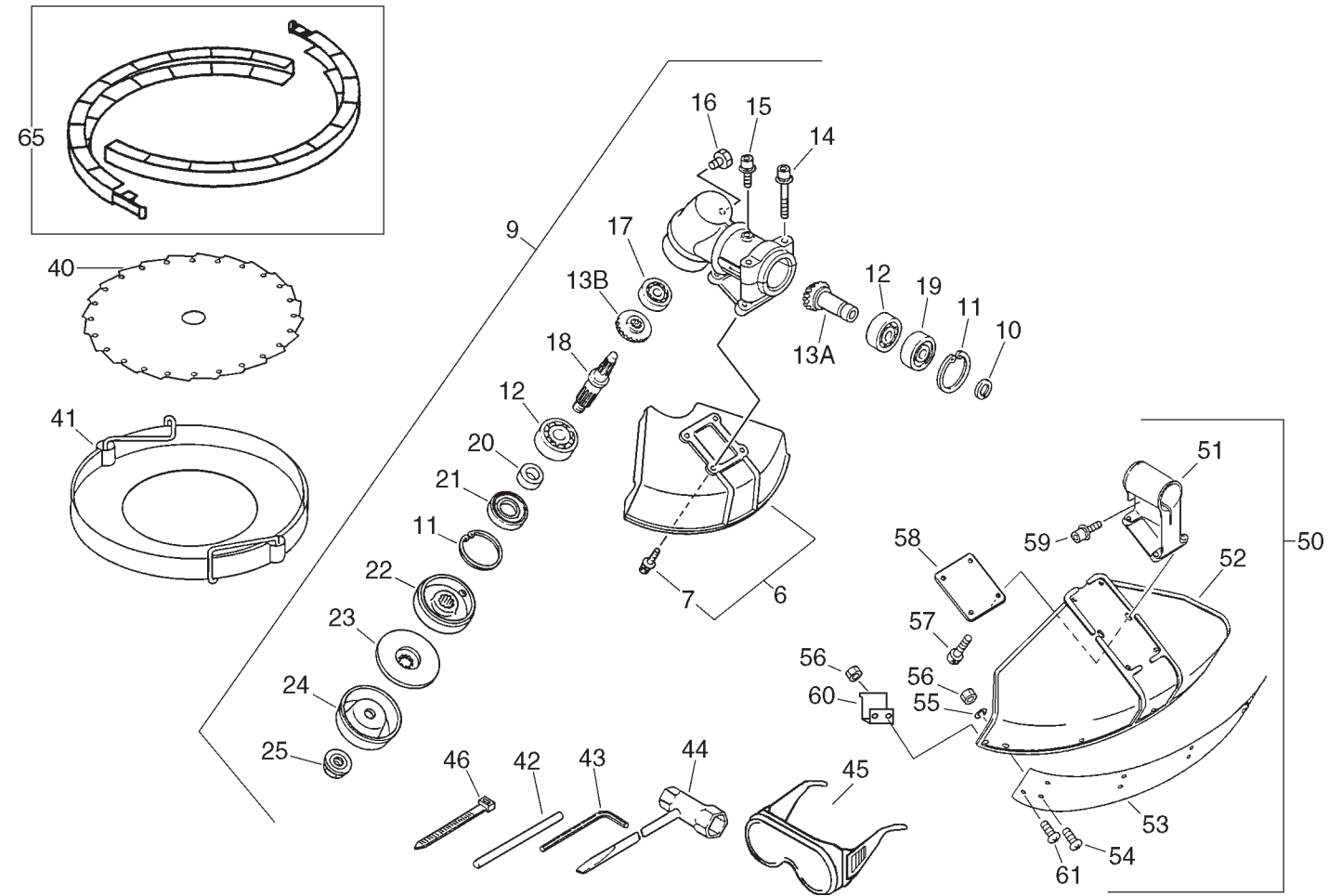
4 Muffler, Fuel Tank



KEY	LV	PART NUMBER	Q'TY	DESCRIPTION	REMARKS
1		145906-54431	1	COVER, MUFFLER	
2		P021-008640	1	MUFFLER	
3		145910-54430	1	INSULATOR, MUFFLER	
4		145510-54430	1	GASKET, MUFFLER	
5		900162-05018	3	BOLT, H.S. 5*18	
6		900105-05016	7	BOLT, H.S. 5*16	
7		900105-05010	2	BOLT, H.S. 5*10	
8		900162-05075	2	BOLT, H.S. 5*75	
10		131004-16432	1	CAP ASY, FUEL	
11	+	900720-00032	1	O-RING 32	
12	+	900246-03008	1	SCREW 3*8	
13	+	131023-14730	1	CHAIN, BALL	
14	+	131042-14730	1	SPRING, CLOSS	
15		131005-54430	1	TANK, FUEL	
16		130031-10230	2	WASHER	
17		900600-00005	4	WASHER 5	
20		131300-56430	1	VALVE, CHECK	
21		132013-09820	1	CLIP	
22		132010-02960	1	PIPE, FUEL	
23		132115-44330	1	GROMMET	
24		131205-19830	1	STRAINER, FUEL	
25		132010-54430	1	PIPE	
26		132013-26630	1	CLIP	

CLS-5800
CLS-5810

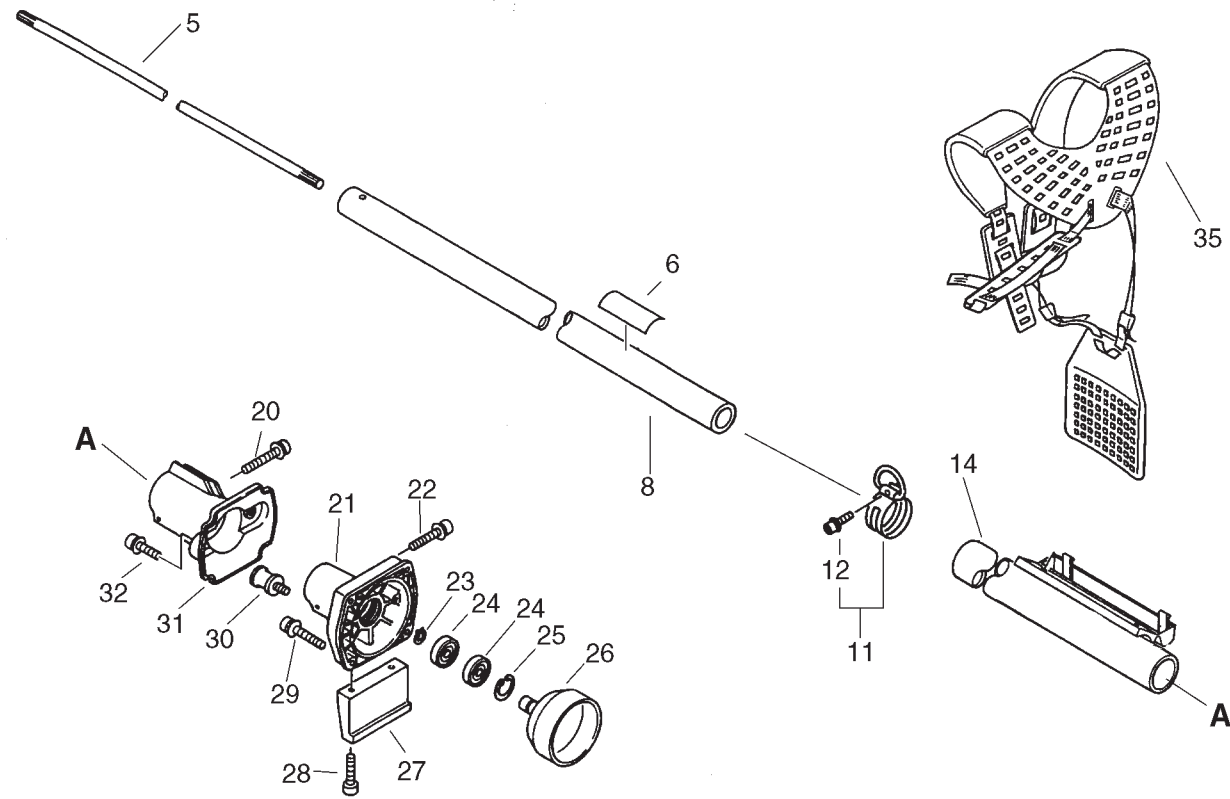
7 Gear Case, Blade Shield, Tools



KEY	LV	PART NUMBER	Q'TY	DESCRIPTION	REMARKS
9		P021-004762	1	HOUSING ASY, GEAR	
10	+	900701-00015	1	CIRCLIP 15	
11	+	900702-00035	2	CIRCLIP 35	
12	+	900810-06202	2	BEARING, BALL 6202	
13	+	610300-47530	1	GEAR SET	
14	+	900162-05035	2	BOLT, H.S. 5*35	
15	+	900162-05014	1	BOLT, H.S. 5*14	
16	+	610434-50031	1	BOLT 8* 8	
17	+	900800-06001	1	BEARING, BALL 6001	
18	+	610310-51530	1	SHAFT, P.T.O.	
19	+	900813-06202	1	BEARING, BALL 6202Z	
20	+	610334-06230	1	SPACER, OILSEAL	
21	+	610413-47530	1	OILSEAL IS 20 35 7	
22	+	C535-000050	1	FIXTURE, BLADE	
23	+	C535-000060	1	FIXTURE, BLADE	
24	+	610352-47530	1	PLATE, CUP	
25	+	610320-47530	1	NUT, LOCK	
42		897518-01131	1	LOCKING TOOL	
43		895610-00130	1	L-WRENCH (4MM)	
44		X602-000020	1	TOOL, WRENCH	
45		X690-000030	1	GOGGLE	
46		178121-43230	1	BAND	

CLS-5800
CLS-5810

5 Pipe, Harness



KEY	LV	PART NUMBER	Q'TY	DESCRIPTION	REMARKS
-----	----	-------------	------	-------------	---------

CLS-5800

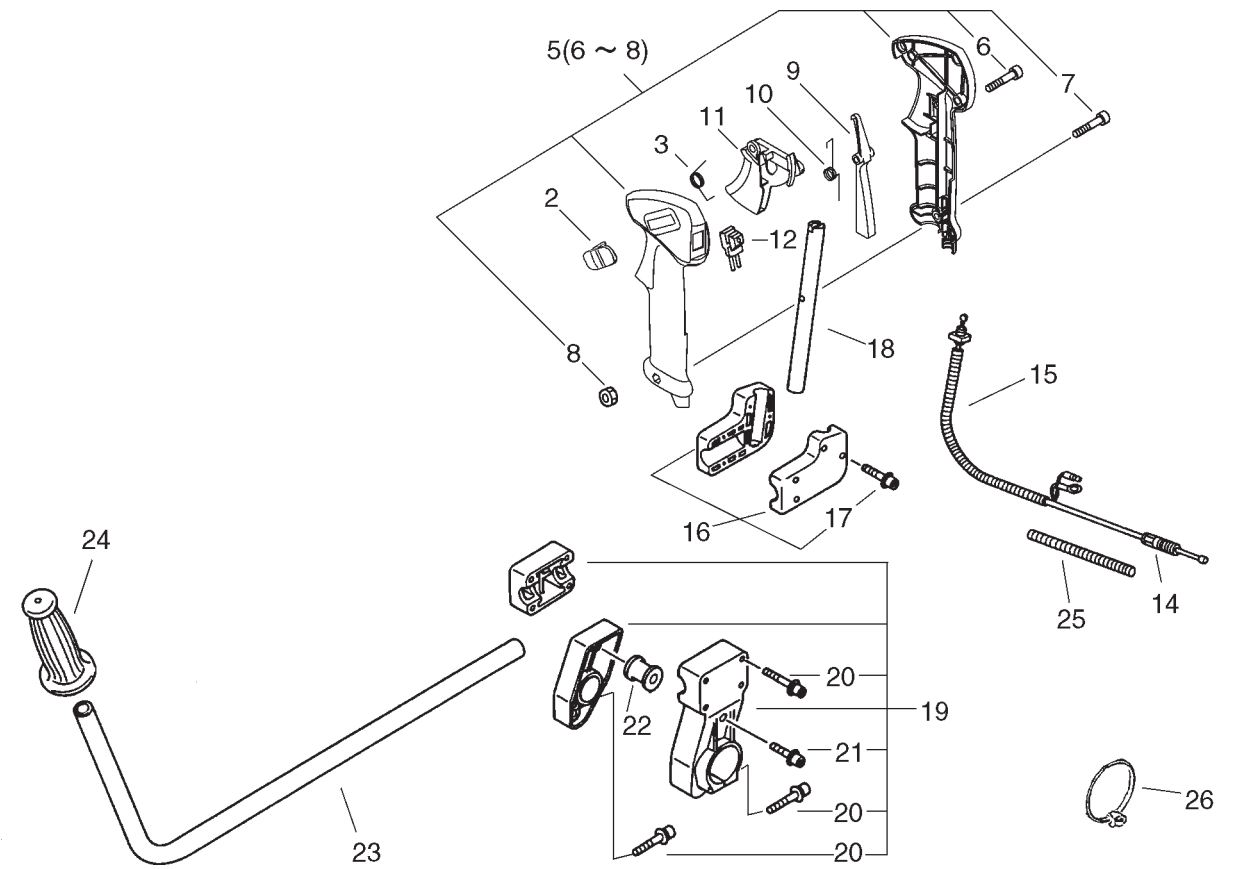
5		610011-47530	1	SHAFT, DRIVE	
8		610206-47531	1	HOUSING ASY, D.SHFT	
14		610603-54530	1	PIPE W/CABLE GUIDE	

CLS-5810

5		610011-51530	1	SHAFT, DRIVE	
8		610206-51531	1	HOUSING ASY, D.SHFT	
14		610603-54430	1	PIPE W/CABLE GUIDE	

CLS-5800
CLS-5810

6 Handle



KEY	LV	PART NUMBER	Q'TY	DESCRIPTION	REMARKS
-----	----	-------------	------	-------------	---------

2		C463-000000	1	KNOB,LATCH	
3		V452-000060	1	SUPRING,TORSION	
5		P021-002612	1	GRIP ASY, F-HANDLE	
6	+	900253-04016	3	SCREW 4*16	
7	+	900220-05030	1	SCREW 5*30	
8	+	900500-00005	1	NUT 5	
9		C460-000011	1	LOCKOUT,THROTTLE	
10		V452-000130	1	SPRING, TORSION	
11		C450-000022	1	TRIGGER,THROTTLE	
12		163401-54530	1	SWITCH, IGNITION	
14		V430-000910	1	CABLE,BOWDEN	
15		178127-54530	1	TUBE 7*10*130	
16		351302-47530	1	BRACKET, HANDLE	
17	+	900162-05025	4	BOLT, H.S. 5*25	
18		351210-47530	1	HANDLE, REAR	
19		351301-47533	1	BRACKET, HANDLE	
20	+	900162-05035	6	BOLT, H.S. 5*35	
21	+	900162-05014	2	BOLT, H.S. 5*14	
22		100905-51530	2	CUSHION	
24		351213-47531	1	GRIP	
25		V475-002930	1	TUBE	
26		V495-000000	2	BAND	



PARTS CATALOGUE

CLEARING SAW CLS-5800 CLS-5810

