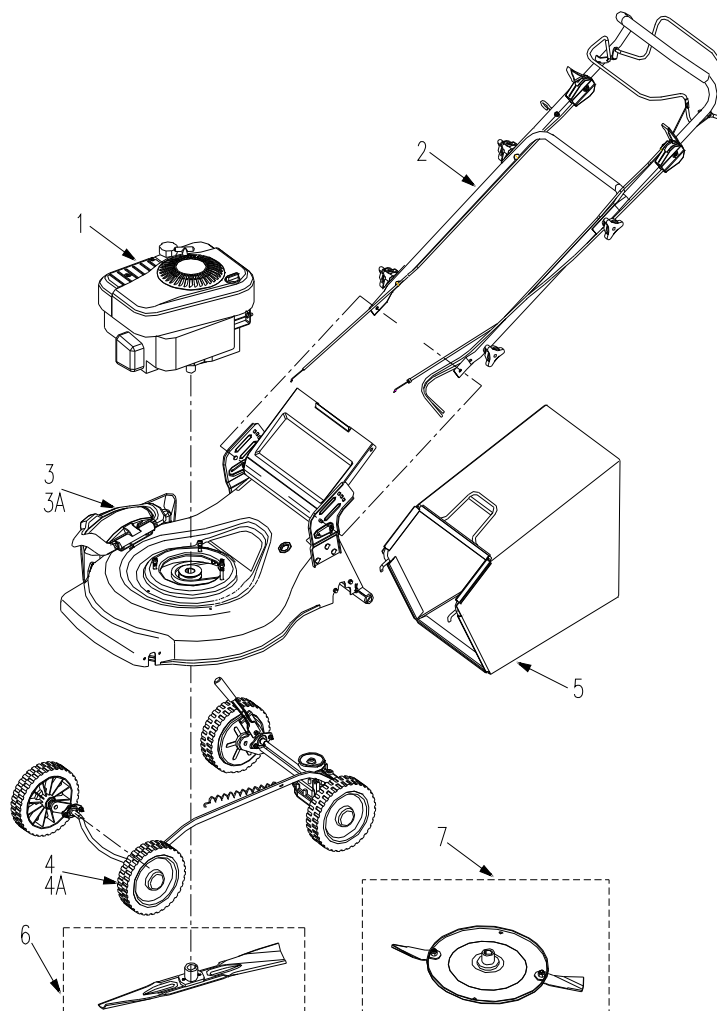


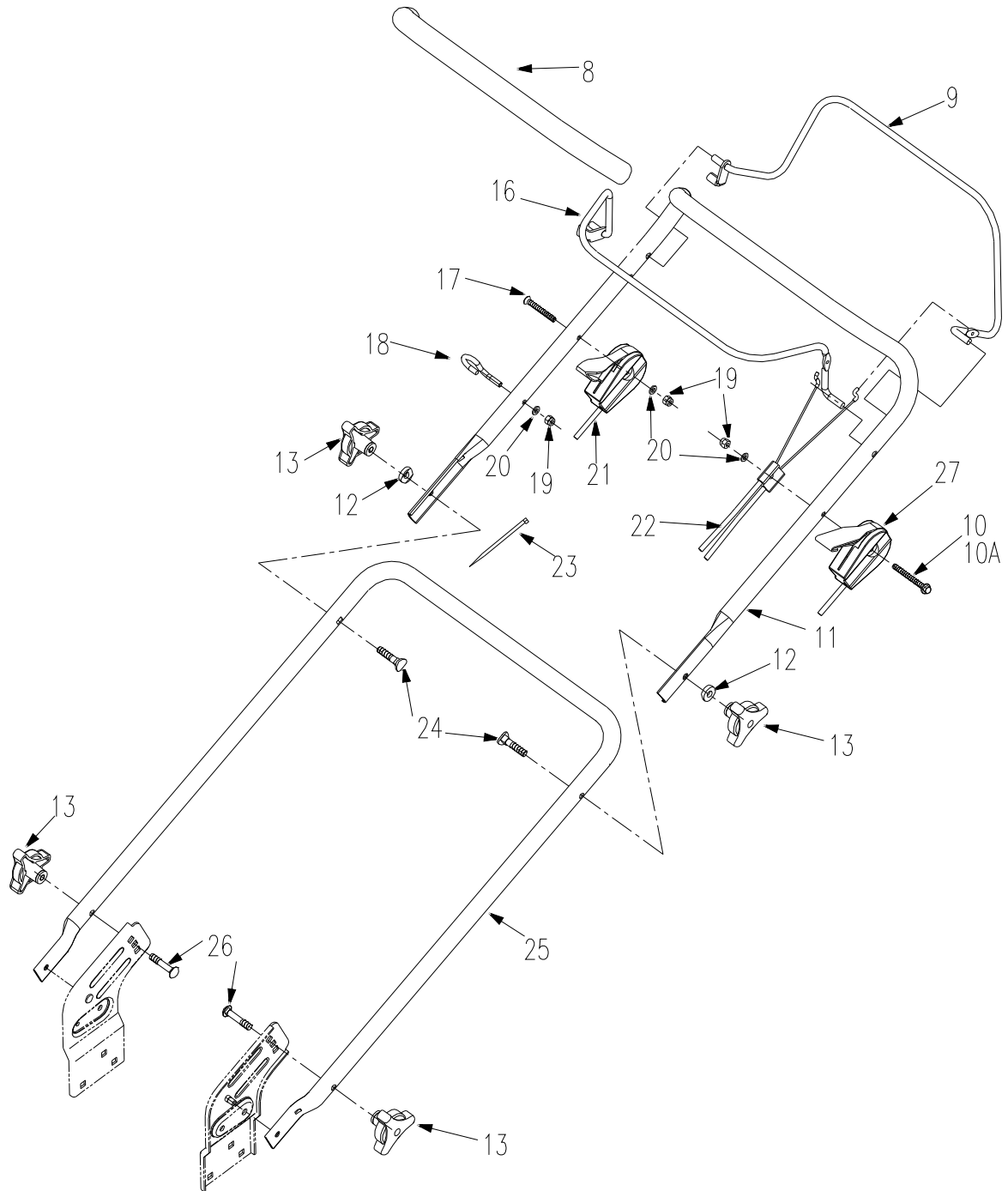
MOWER ASSEMBLY.....	1
HANDLEBAR & CONSOLE.....	2
MOWER DECK ASSEMBLY.....	4
DRIVE ASSEMBLY.....	6
STRAIGHT BLADE /SWING BLADE ASSEMBLY.....	8
GRASS BAG ASSEMBLY.....	10

MOWER ASSEMBLY



REF. NO.	PART NO.	DESCRIPTION	WYZ20-**-A*1	WYZ20-**-A*3	WYZ20-**-B*1	WYZ20-**-B*3
1		Engine				
2	WYZ20-1	Handlebar & Console				
3	WYZ20-2	Mower Deck Assembly	N	N		
3A	WYZ20-2A	Mower Deck Assembly			N	N
4	WYZ20-3	Drive Assembly	N		N	
4A	WYZ20-3A	Drive Assembly		N		N
5	2006000	Grass Bag Assembly				
6	WYZ20-4	Straight Blade Assembly				
7	WYZ20-5	Swing Blade Assembly				

HANDLEBAR & CONSOLE

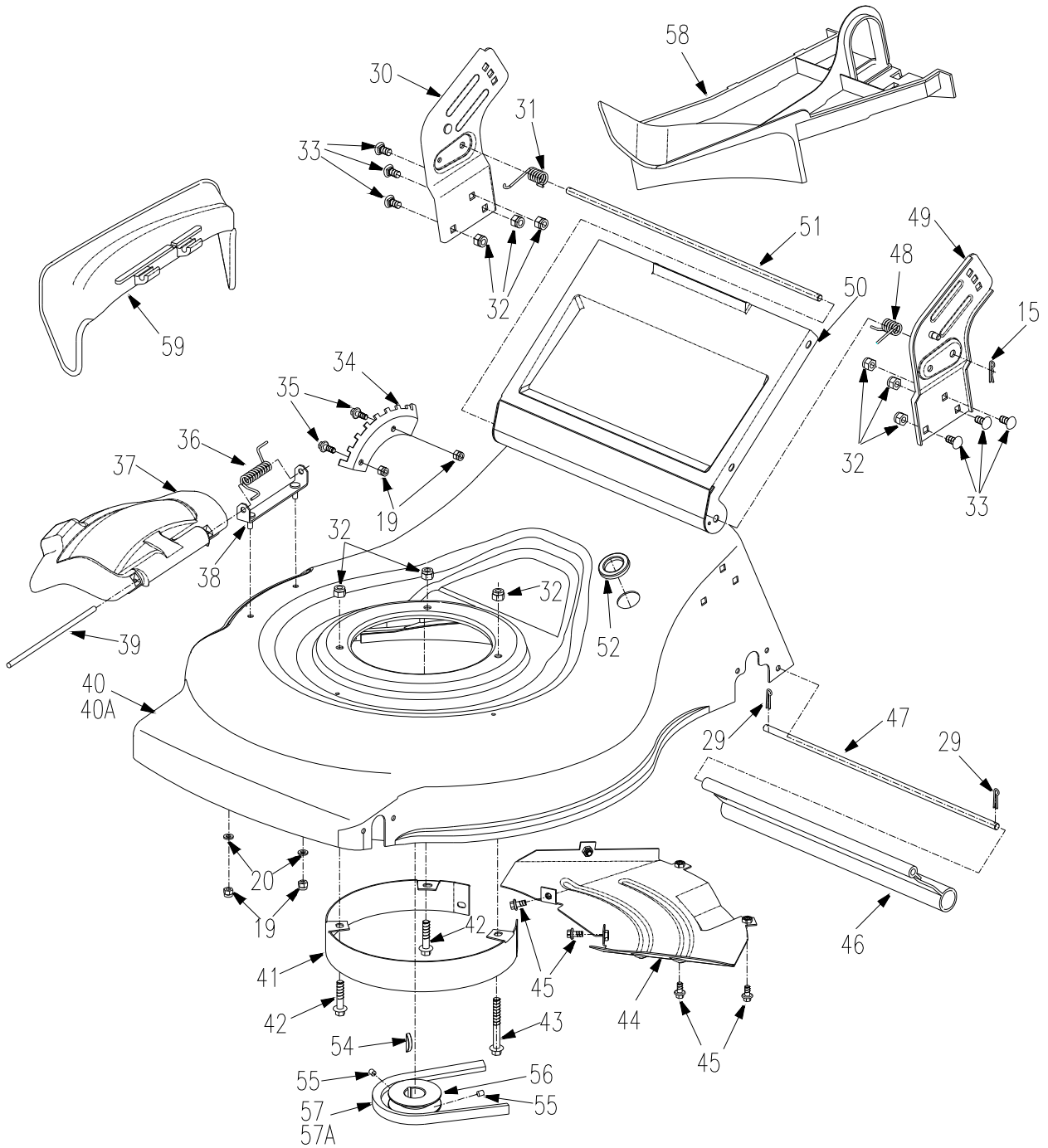


HANDLEBAR & CONSOLE

REF NO.	PART NO.	DESCRIPTION	WYZ20-**-A*1	WYZ20-**-A*3	WYZ20-**-B*1	WYZ20-**-B*3
8	WORD18.6-04	Handle Grip				
9	2003200	Drive Clutch Lever				
10	B5787-660	Hex Hd. Flange Bolt M6x60mm	N		N	
10A	B820-640	Phillips Hd Screw M6x40mm		N		N
11	2003002	Upper Handle				
13	XSZ56-1-09	Knob Nut M8mm				
16	2003100	Flywheel Brake Lever				
17	B820-650	Phillips Hd Screw M6x50mm				
18	WORD18.6-05	Rope Guide				
19	B6182-6	Nylon Insert Lock Nut M6mm				
20	B97.1-6	Flat Washer 6mm				
21	2215300	Throttle Control Assembly				
22	2203300	Cable Unit				
23	WORD18-09	Wire Tie				
24	XSZ56-1-15	Bolt, Handle				
25	2003001	Lower Handle				
26	B801-840	Square Neck Bolt M8x40mm				
27	2203400	Shift Lever Assembly	N		N	

MOWER ASSEMBLY

DECK



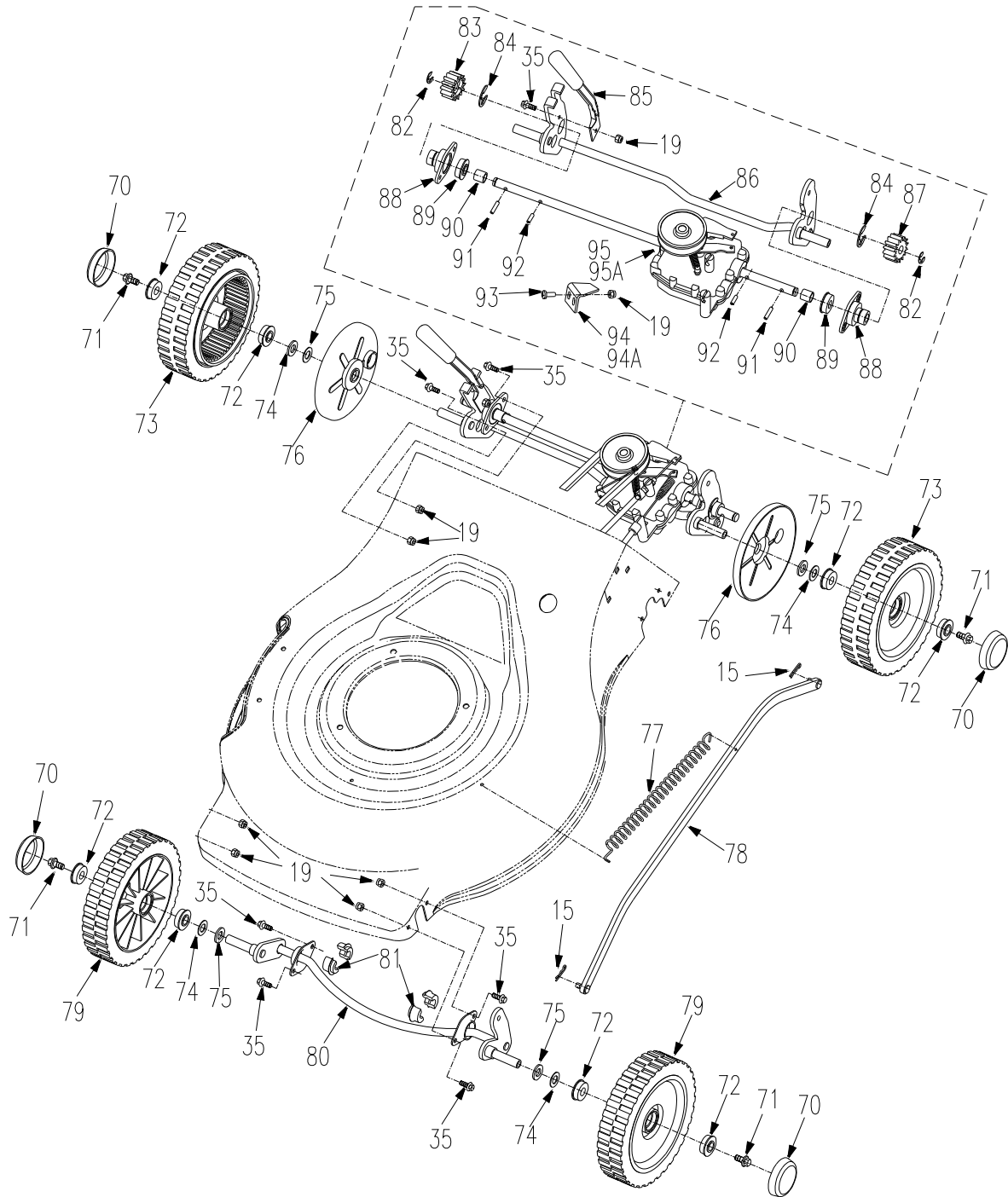
MOWER DECK ASSEMBLY

REF NO.	PART NO.	DESCRIPTION	WYZ20-**-A*1	WYZ20-**-A*3	WYZ20-**-B*1	WYZ20-**-B*3
15	XSZ56-1-17	Hair Pin				
19	B6182-6	Nylon Insert Lock				
20	B97.1-6	Flat Washer 6mm				
29	B91-220	Hair Pin				
30	2205000A	Right Bracket				
31	2000003A	Torsion Spring,				
32	B6182-8	Nylon Insert Lock				
33	B801-816	Square Neck Bolt				
34	2200007A	Height Adjustment				
35	B5787-616	Hex Hd. Flange				
36	2200021	Torsion Spring	N	N		
37	2200016	Mulch Cover	N	N		
38	2213000	Mounting Bracket, Discharging Chute	N	N		
39	2000019	Pivot Shaft	N	N		
40	2008000B	Mower Deck	N	N		
40A	2008000A	Mower Deck			N	N
41	2211000	Middle Baffle				
42	B5787-835	Hex Hd. Flange				
43	B5787-865	Hex Hd. Flange				
44	2010000	Rear Baffle				
45	B5787-612	Hex Hd. Flange				
46	XSS46-15	Rear Guard				
47	2000006	Rod, Rear Guard				
48	2200002A	Torsion Spring,				
49	2204000A	Left Bracket				
50	2000004	Rear Cover				
51	2000001A	Rod, Rear Cover				
52	4LZ2.16.4-04	Rubber Ring				
54	XSZ56-2-20	Woodruff Key				
55	B78-68	Socket Set Screw				
56	XSZ56-2-22	Pulley				
57	2000003B	V-Belt	N		N	
57A	2000003	V-Belt		N		N
58	2000015 ☆	Mulching Plug				
59	2000017	Side Discharge	N	N		

Remark "☆" is an option to model WYZ20-**-A*1 & WYZ20-**-A*3.



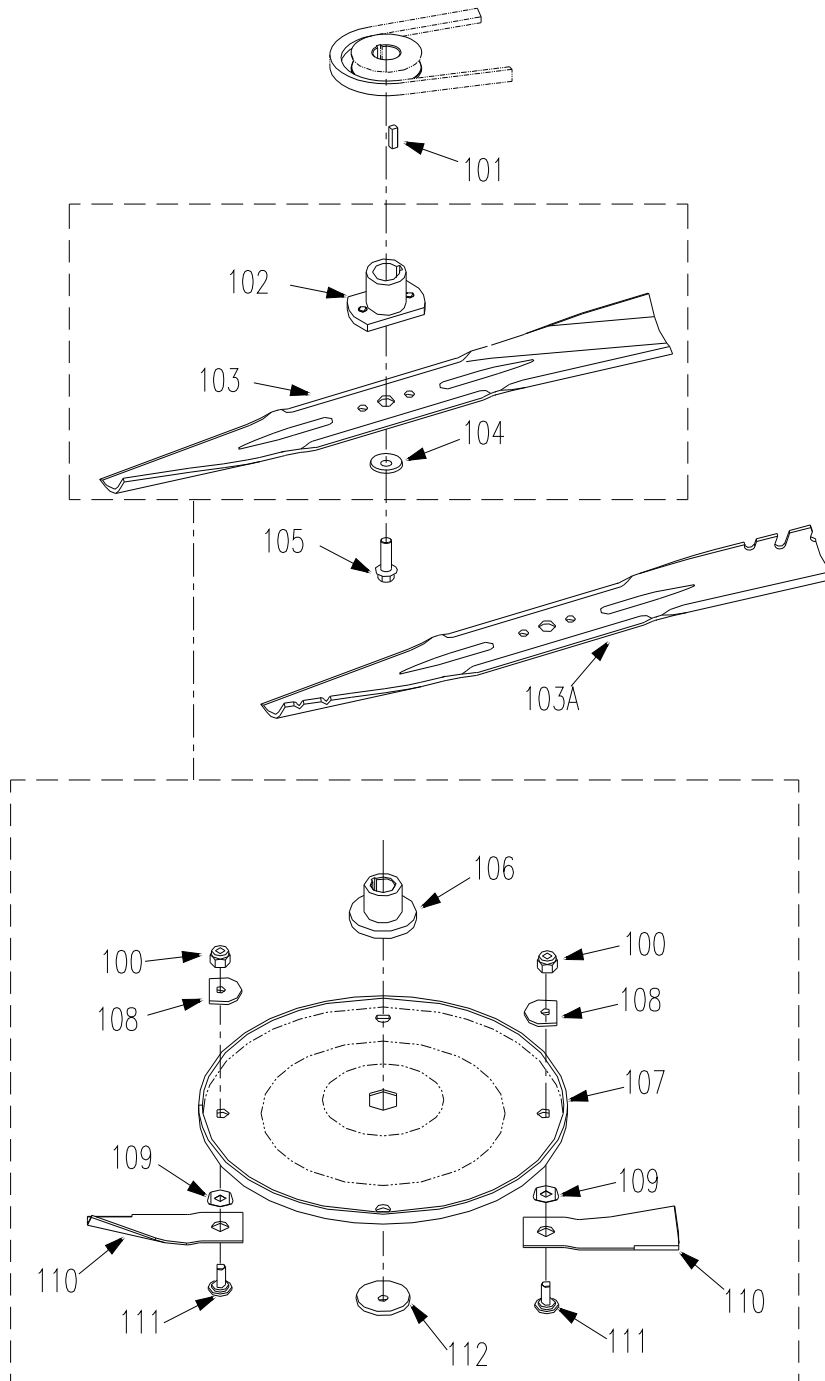
DRIVE ASSEMBLY



DRIVE ASSEMBLY

REF NO.	PART NO.	DESCRIPTION	WYZ20-**-A*1	WYZ20-**-A*3	WYZ20-**-B*1	WYZ20-**-B*3
15	XSZ56-1-17	Hair Pin				
19	B6182-6	Nut M6mm				
35	B5787-616	Bolt M6x16mm				
70	2001001	Hub Cap				
71	B5787-816	Bolt M8x16mm				
72	2201002	Wheel Bearing 1/2"				
73	2001200	Rear Wheel 8"42"				
74	B97.1-12	Flat Washer 12 mm				
75	B955-12	Wave Spring Washer				
76	2200034	Cover				
77	WORD18-02	Tension Spring				
78	2002000	Haul Shank Seam				
79	2001000	Front Wheel , 8"42"				
80	2009000A	Front Shaft Assembly				
81	WORD18-01	Nylon Bearing				
82	B896-9	E-Clip 9mm				
83	2200033	Pinion Gear, Right				
84	XSZ56-2-06	E-Clip 19mm				
85	2207200	Cutting Height Adjustment Lever				
86	2007100A	Rear Axle Assembly				
87	2200032	Pinion Gear, Left				
88	2207002	Bearing Housing				
89	2207003	Bearing				
90	2207001	Bronze Bushing				
91	XSZ56-2-08	Roll Pin				
92	B879-516	Spring Pin 5x16mm				
93	B818-616	Phillips Pan Hd Screw M6x16mm				
94	2000007B	Anti Rotation Bracket	N		N	
94A	2000007	Anti Rotation Bracke		N		N
95	2020000	Transmission	N		N	
95A	2020000	Transmission		N		N

BLADE ASSEMBLY



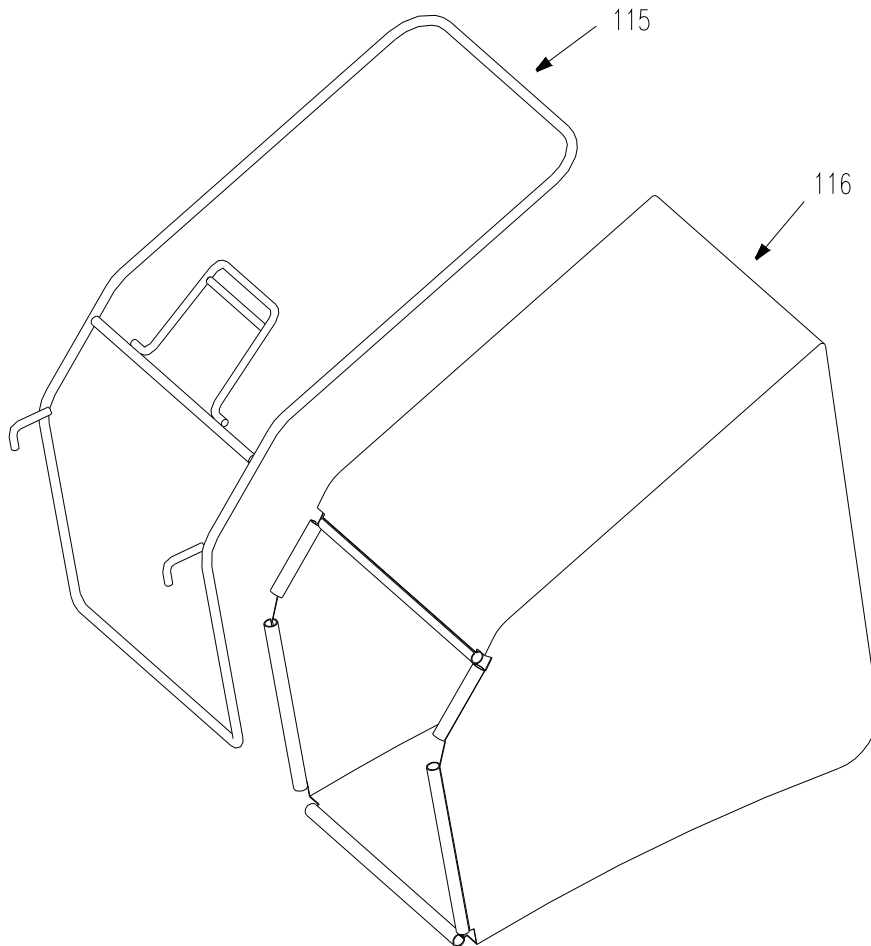
BLADE ASSEMBLY

REF NO.	PART NO.	DESCRIPTION	WYZ20-**-A*1	WYZ20-**-A*3	WYZ20-**-B*1	WYZ20-**-B*3
100	B6182-10	Nylon Insert Lock Nut M10mm				
101	XSZ56-2-18	Square Key				
102	WORD22-2.4	Blade Adapter				
103	2000002	Blade				
103A	2000002B ★	Mulching Blade				
104	XSZ56-2-17	Blade Washer				
105	2200010	Bolt				
106	WORD22-2-01	Blade Adapter				
107	2012001A	Blade Hub				
108	WORD18.4-02	Slice pillow				
109	WORD18.4-03	Curved Washer				
110	WORD18.4-05	Blade				
111	WORD18.4-01	Blade Bolt M10mm				
112	WORD18-04	Blade Washer				

Remark: ★ is an option to ALL listed models.

GRASS ASSEMBLY

BAG



REF NO.	PART NO.	DESCRIPTION	WYZ20-**-A*1	WYZ20-**-A*3	WYZ20-**-B*1	WYZ20-**-B*3
115	2006100	Bag Frame				
116	2006200	Fabric Bag				