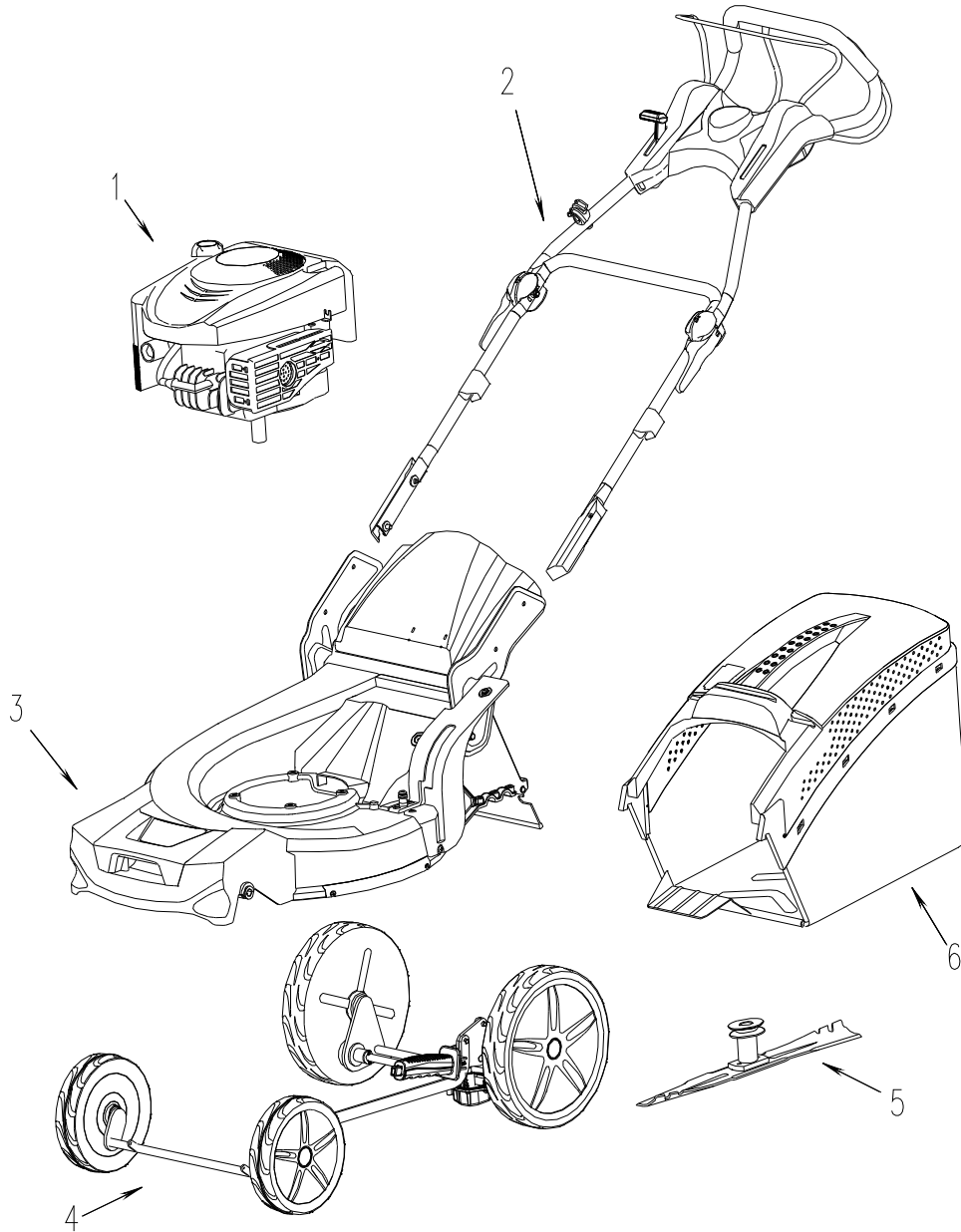
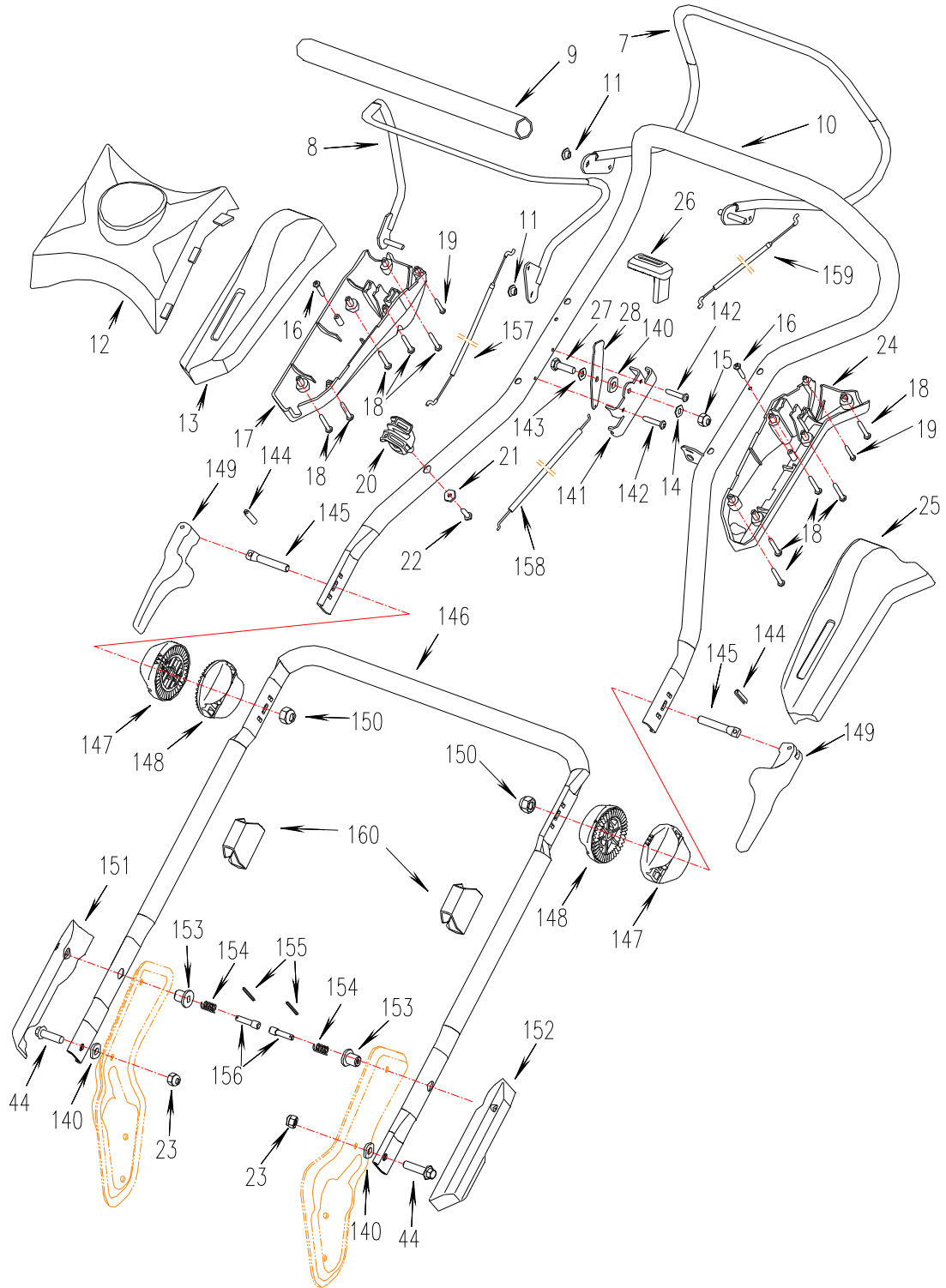

MOWER	1
ASSEMBLY	
.....	
HANDLEBAR	2
&CONSOLE	
.....	
MOWER	DECK 4
ASSEMBLY	
...	
DRIVE	6
ASSEMBLY	
.....	
STRAIGHT	BLADE 8
ASSEMBLY	
GRASS	BAG 9
ASSEMBLY	
.....	

MOWER ASSEMBLY



REF NO.	PART NO.	DESCRIPTION
1		Engine
2		Handlebar & Console
3		Mower Deck Assembly
4		Drive Assembly
5		Blade Assembly
6	2100460A	Grass Bag Assembly

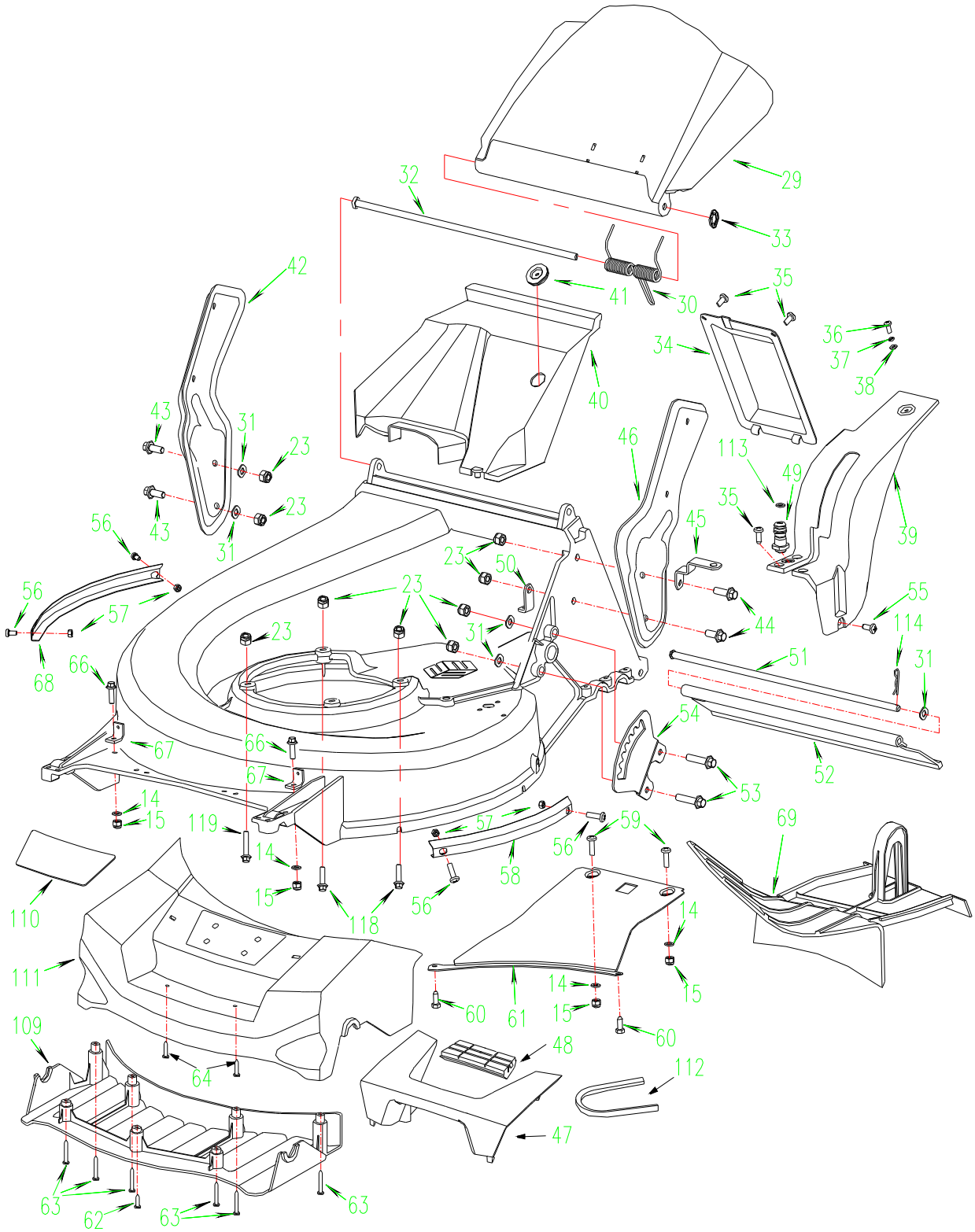
HANDLEBAR & CONSOLE



HANDLEBAR& CONSOLE

REF NO.	PART NO.	DESCRIPTION	REF NO.	PART NO.	DESCRIPTION
7	2110220	Drive Clutch Lever	140	2100408	Bronze Bushing
8	2110215	Blade Control Handle	141	2110224	Throttle bracket
9	18.6-01	Handle Grip	142	B6560-525	Self-tapping screw M5*25
10	2110201	Upper Handlebar	143	B1972-A12.5-1	Dish spring
11	2110226	Flange bearings	144	B879-522	Pin 5*22
12	2110214	Panel	145	2110209	Quick fix handle lever
13	2110211	Right, upper cover	146	2110204	Lower hand
14	B97.1-6	Flat Washer 6mm	147	2110206	Toothed plate, outside
15	B6182-6	Nylon Insert Lock Nut M6mm	148	2110205	Toothed plate, inside
16	B845-3522	Self-tapping screw ST3.5*22	149	2110208	Quick fix
17	2110210	Right lower lid	150	B61871-8	Nut M8
18	B845-3525	Self-tapping screw ST3.5*25	151	2110136	Right knob
19	B845-2925	Self-tapping screw ST2.9*25	152	2110137	Left knob
20	2110232	Guy hook	153	2003009	Pressure spring seat
21	2110234	Subplate	154	2003008	Pressure spring
22	B845-4216	Self-tapping screw ST4.2*16	155	B879-222	Pin 2*22
23	B6182-8	Nylon Insert Lock Nut M8mm	156	2003010	Hair Pin
24	2110212	Left lower lid	157	2110235	Hand brake pull
25	2110213	Left, upper cover	158	1818037	Throttle Cable
26	2110087	Wrench cover	159	2110233	Clutch Cable
27	B5783-620	Bolt M6x20	160	2011559	Cable clip
28	2110225	Throttle control handle			
44	B5787-825	Hex Hd. Flange Bolt M8x25mm			

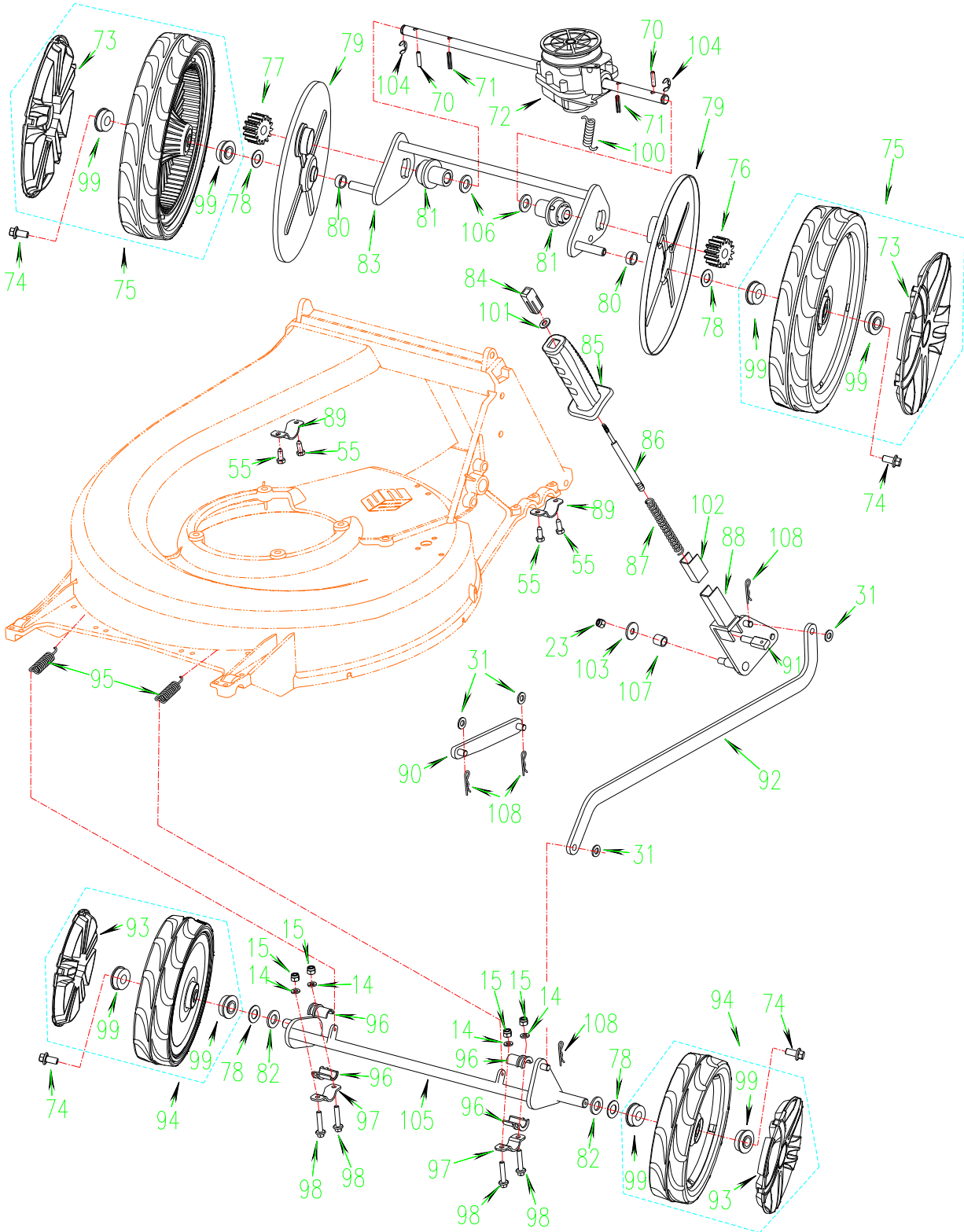
MOWER DECK ASSEMBLY



MOWER DECK ASSEMBLY

REF NO.	PART NO.	DESCRIPTION	REF NO.	PART NO.	DESCRIPTION
14	B97.1-6	Flat Washer 6mm	52	XSS46-15	Rear Guard
15	B6182-6	Nylon Insert Lock Nut M6mm	53	B5787-835	Hex Hd. Flange Bolt M8x35mm
23	B6182-8	Nylon Insert Lock Nut M8mm	54	2100362	Adjustment tooth plate
29	2100466	Rear Cover	55	B6560-616	Self-tapping screw M6*16
30	2100369	Torsion Spring	56	B818-58	Screw M5*8
31	B97.1-8	Flat Washer 8mm	57	B6170-5	Nut M5
32	2110249	Rod, Rear Cover	58	2100309	Left,preventer plate
33	16-8	Star lock 8	59	B818-620	Screw M6*20
34	2100371	Cover	60	B6563-616	Self-tapping screw M6*20
35	B6560-612	Self-tapping screw M6*12	61	2100363	Rear Baffle
36	B818-512	Hex Hd. Flange Bolt M5x12mm	62	B845-4216	Self-tapping screw ST4 2*16
37	B93-5	Washer 5	63	B845-4232	Self-tapping screw ST4 2*22
38	B97.1-5	Washer 5	64	B845-4219	Self-tapping screw ST4 2*19
39	2100347	Shield	65	2100301	Mower Deck
40	2100354	Belt cover	66	B5787-620	Bolt M6x20
41	2011021	Rubber Ring	67	2100353	Spring Seat
42	2110247	Right Bracket	68	2100310	Right,preventer plate
43	B5787-820	Hex Hd. Flange Bolt M8x20mm	69	2100370	Mulching Plug
44	B5787-825	Hex Hd. Flange Bolt M8x25mm	109	2110242	Comb
45	2100348	Shield support	110	2110246	Label plate
46	2110248	Left Bracket	111	2110241	Bumper
47	2110245	Front cover	112	2100700	V-Belt A762
48	2110138	Handle pad	113	B34521-112265	O-seal ring 11.2*2.65
49	2100356	Washing Port	114	B91-216	Pin 2x16
50	2100496	Supporting plate	118	B5787-850	Hex Hd. Flange Bolt M8x50mm
51	2100321	Rod, Rear Guard	119	B5787-875	Bolt M8x75

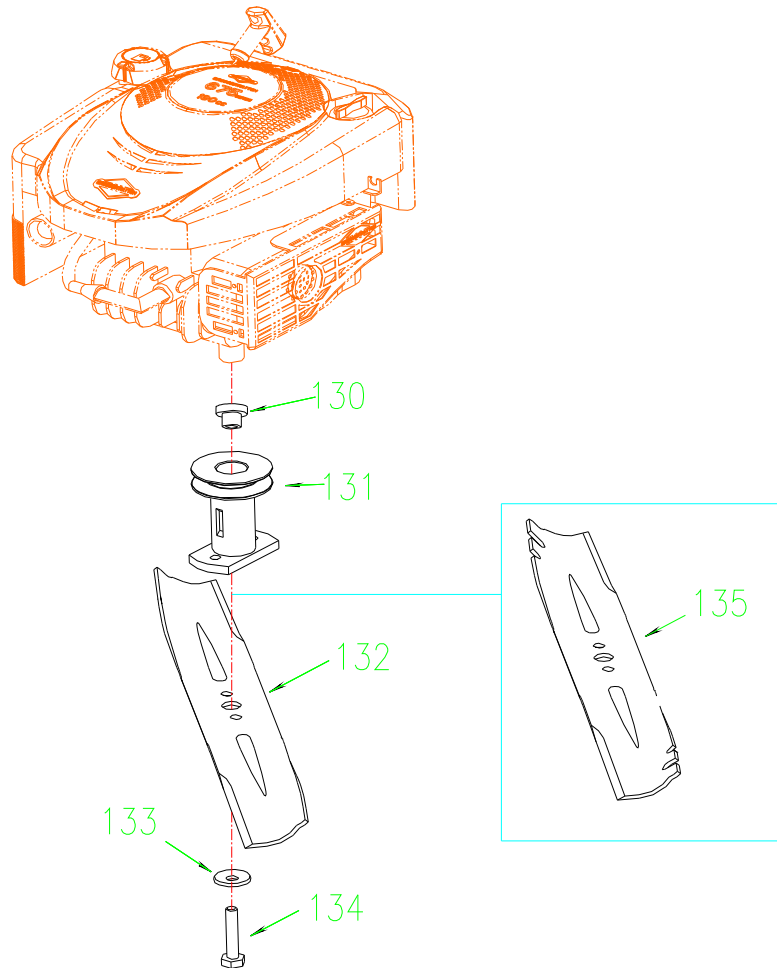
DRIVE ASSEMBLY



DRIVE ASSEMBLY

REF	PART NO.	DESCRIPTION
14	B97.1-6	Flat Washer 6mm
15	B6182-6	Nylon Insert Lock Nut M6mm
23	B6182-8	Nylon Insert Lock Nut M8mm
31	B97.1-8	Flat Washer 8mm
70	XSZ56-02-08	Roll Pin
71	B879-520	spring pin
72	84588	gear box
73	301105	Wheel Cap
74	B5787-816	Hex Hd. Flange Bolt M8x16mm
75	301100	11" Wheel
76	2200032	Pinion Gear, Left
77	2200033	Pinion Gear, Right
78	B955-12	Wave Spring Washer 12mm
79	110001	Dust Cover
80	2100320	Bushing
81	2100367	Bearing Housing
82	B97.1-12	Flat Washer 12 mm
83	2100491	Rear Axle Assembly
84	2100605	Knob
85	2100606	Wrench cover
86	2100609	Adjustment lever
87	2100608	Torsion Spring
88	2100618	Height Adjustment Rack
89	2100368	Rear locking seat
90	2100486	Back link seaming
91	2100372	Pin
92	2100312	Front tie rod
93	300805	Wheel Cap
94	300800	8" Wheel
95	2100378	Tension Spring
96	2100365	Bushing
97	2100377	Front locking seat
98	B5787-630	Bolt M6x30
99	2201002	Nylon Bearing 1/2"
100	4016800	Ttansmission Tension Spring
101	2100614	Washer
102	2100619	Scaleboard
103	B96-8	Flat Washer 8mm
104	B896-9	E-Clip 9mm
105	2100313	Front Axle Assembly
106	2100622	Washer
107	2100306	Shaft sleeve
108	XSZ56-1-17	Hair Pin

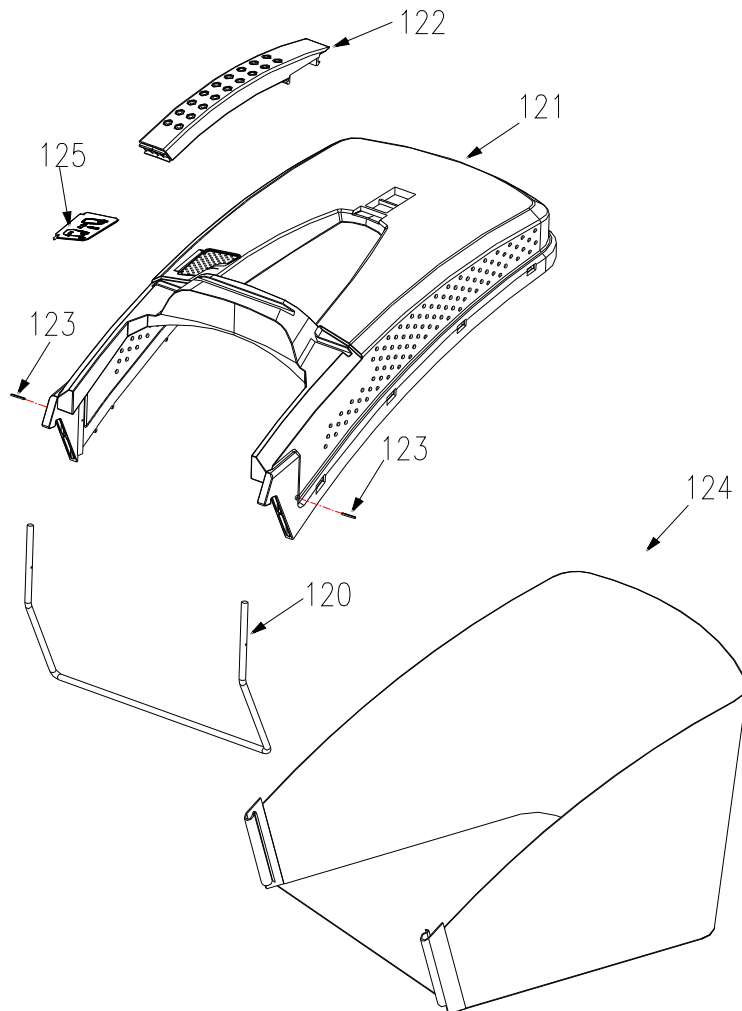
BLADE ASSEMBLY



REF NO.	PART NO.	DESCRIPTION
130	2019001	Bushing
131	2100220	Blade Adaptor Pulley
132	2100709	Blade
133	XSZ56-2-17	Washer
134	2200010	Hex Hd. Bolt 3/8" -24 /1" x2"
135	2100005★	Mulching Blade

“★” marked means optional.

GRASS BAG ASSEMBLY



REF NO.	PART NO.	DESCRIPTION
120	2100461	Bag Frame
121	2100447A	Grass Bag Cover
122	2100463A	Grass Bag Handle
123	B879-2513	Spring pin2.5X13
124	2100468	Grass Bag Assembly
125	2100446A	Access plate