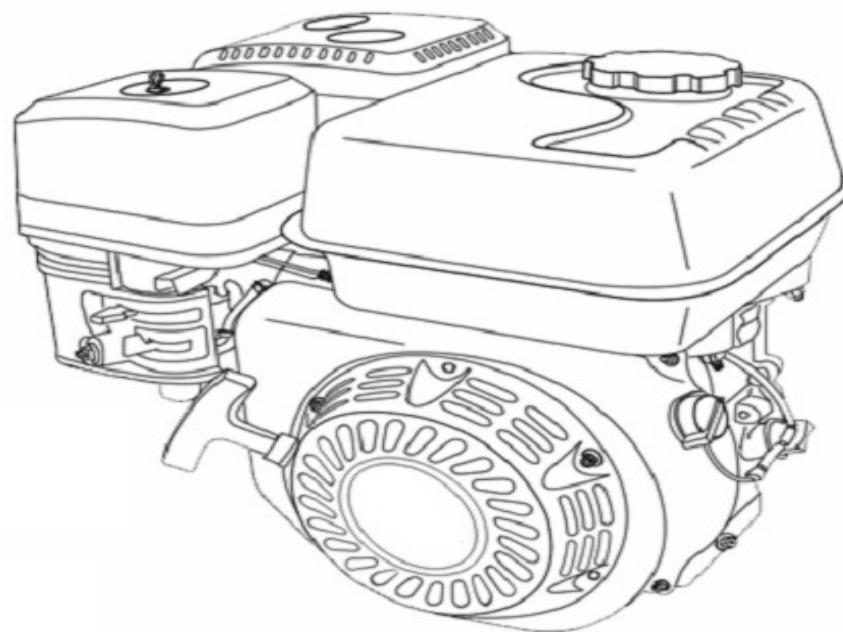


LONGIN

汽油机零部件图册 DRAWING OF ENGINE

LC168F (D) -I
LC168F (D) -II
LC168F (D) -IB
LC168F (D) -IIB
LC168F (D) -IC
LC168F (D) -IIC

G160F (D)
G200F (D)
G160F (D) -B
G200F (D) -B
G160F (D) -C
G200F (D) -C



重庆隆鑫工业有限公司
CHONGQING LONGIN INDUSTRIAL CO., LTD.

(Instruction for use of parts catalogue)

20048

This parts catalogue was prepared based on the latest information available as of August 2004.

20048

See the parts catalogue news for any revision that is made after August 2004.

Always specify the part number when ordering a part.

Note that the illustrations can differ from the actual parts in shape.

LONCIN

When modifications or additions to this parts catalogue are made , a revised edition will be issued at an appropriate time,

We recommend obtaining such revisions in order to keep your parts catalogue up-to-date at all times. To check whether a parts catalogue revision has been issued, please contact your LONCIN distributor.

Example

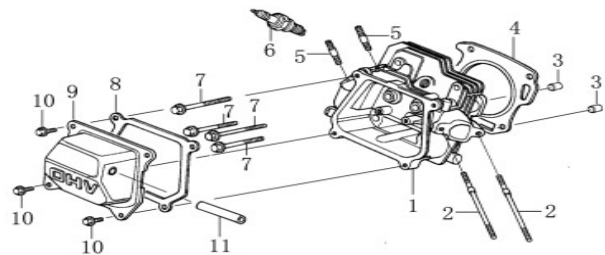
No.	Part No.		Description	(Reqd. QTY)		
				LC168F(D)-I		
10	103299-144	()	NUT , SPECIAL	1		
11	375100-144	()	FLYWHEEL COMP	(1)		

LC168F(D)-I LC168F-I LC168FD-I [LC168F(D)-I means LC168F-I and LC168FD-I]

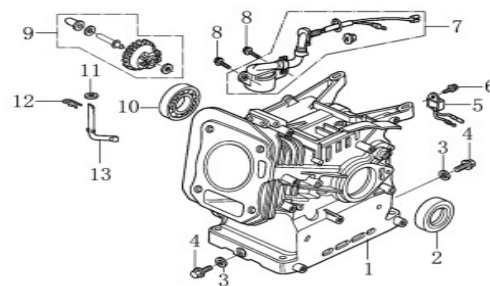
1 LC168F-I LC168FD-I 1 [1 means LC168F-I has 1 QTY and LC168FD-I has 1 QTY]

1 LC168F-I LC168FD-I 1 [(1) means LC168F-I require 0 QTY and LC168FD-I require 1 QTY]

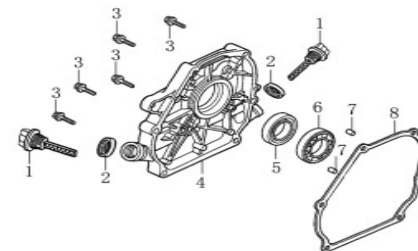
汽缸头 CYLINDERHEAD



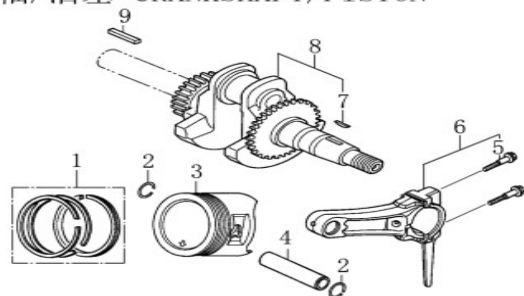
曲轴箱体 CRANK CASE



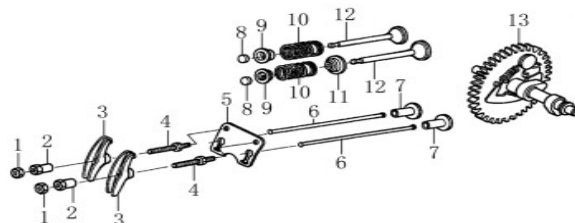
曲轴箱盖 CRANK CASE COVER



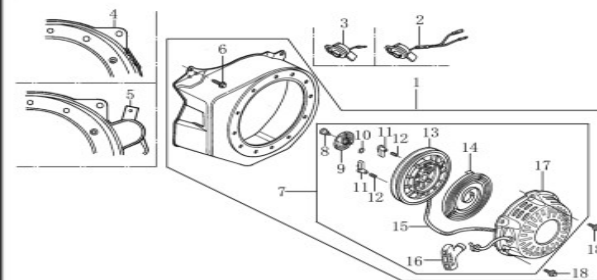
曲轴/活塞 CRANKSHAFT/PISTON



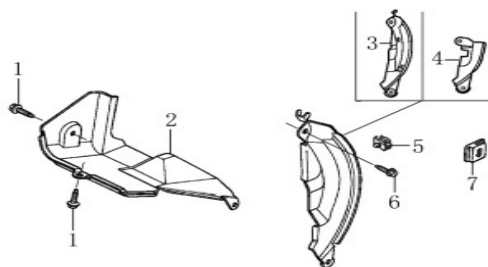
配气系统 GAS DISTRIBUTION ADJUSTMENT



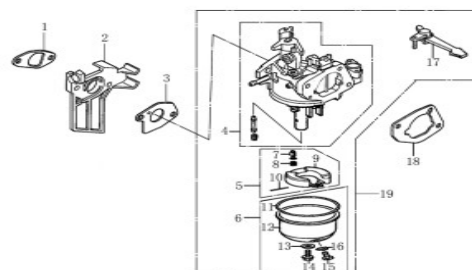
起动器组件 STARTER SUBASSEMBLY



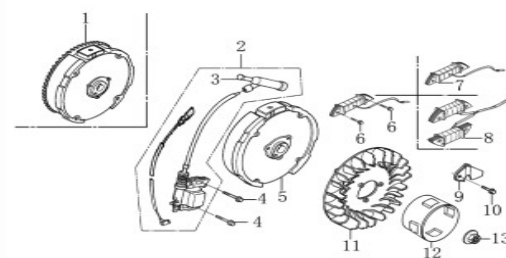
导风部件 DEVERSION ASSY.



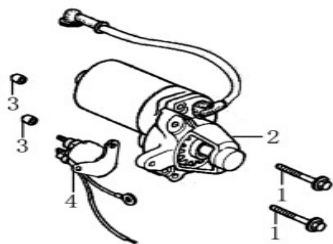
化油器 CARBURETOR



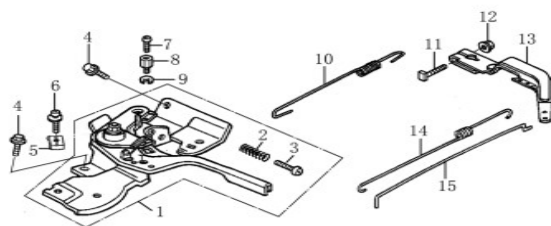
飞轮/点火线圈 FLYWHEEL/COIL ASSY.



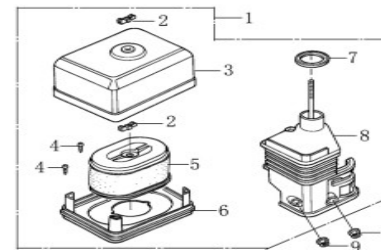
起动电机 STARTER MOTOR



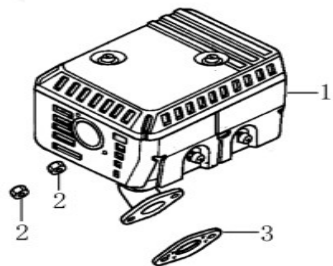
调速控制系统 CONTROL SYSTEM



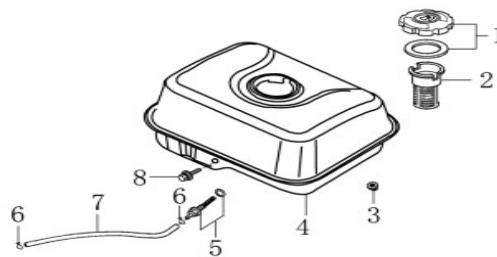
空滤器 AIR CLEANER



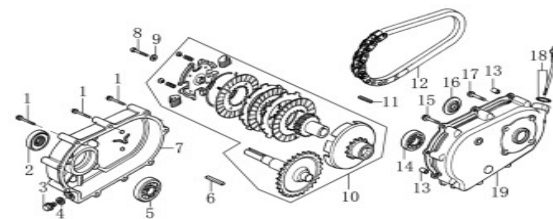
消声器 MUFFLER



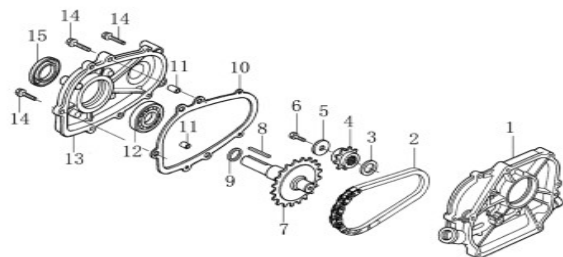
邮箱 FUEL TANK

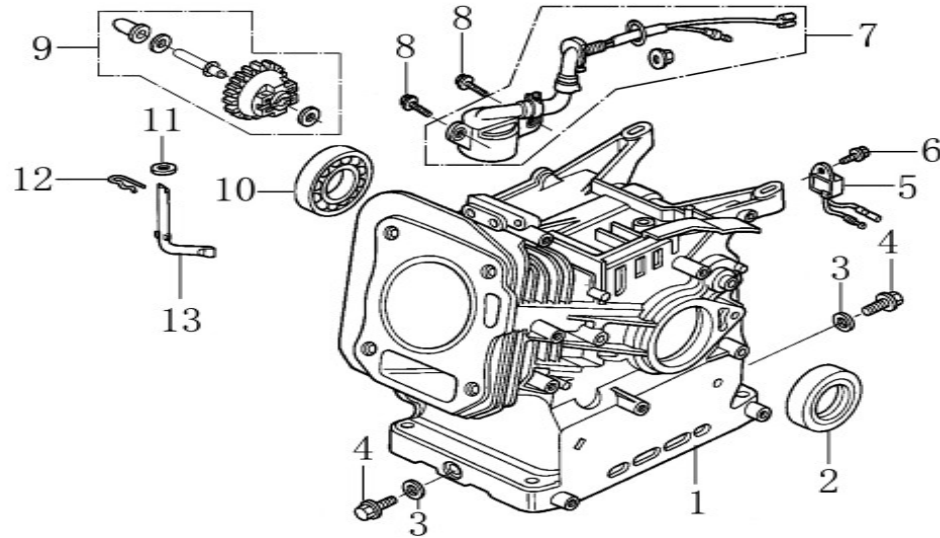


离合器减速箱 CLUTCH RETARDER



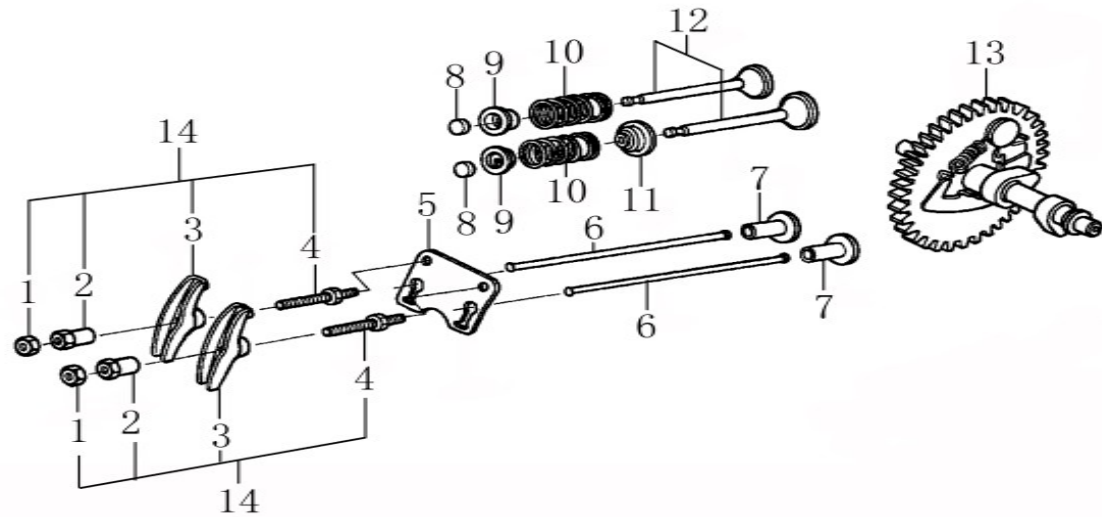
减速箱 RETARDER





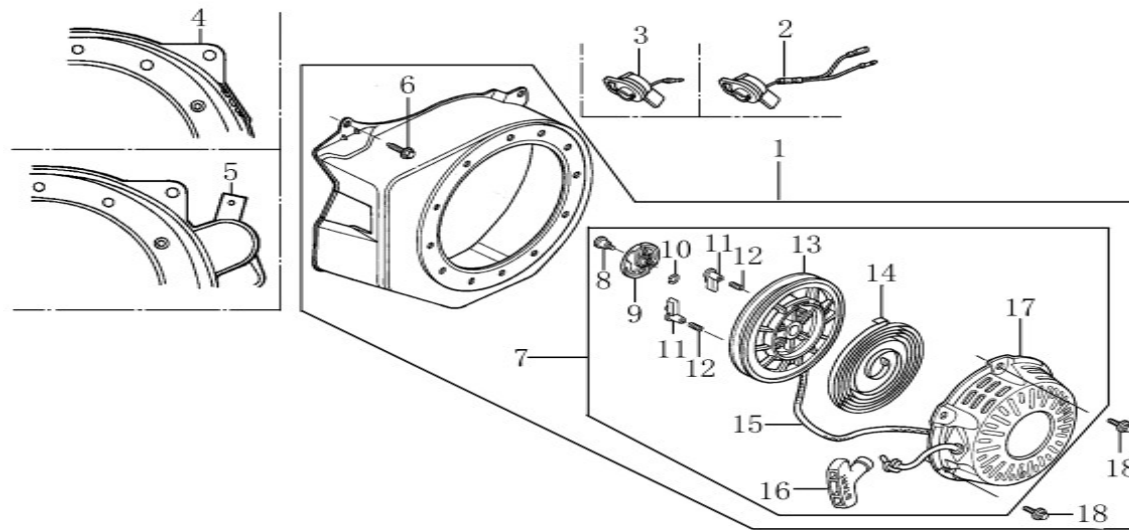
crank case

No.	Part No.	Description	(Reqd. QTY)			
			LC168F(D)-I	LC168F(D)-II	G160F(D)	G200F(D)
1	110810004-T040	CRANK CASE	1	-	1	-
	110810006-T050	CRANK CASE	-	1	-	1
2	380650334-T040	OIL SEAL 25×41.25×6	1	1	1	1
3	380450514-T040	WASHER , DRAIN PLUG	2	2	2	2
4	110260025-T040	BOLT , DRAIN PLUG	2	2	2	2
5	281890001-T040	ALART UNIT ,OIL	1	1	1	1
6	380140011-T040	BOLT , FLANGE , 6×10	1	1	1	1
7	281850150-T040	OIL LEVEL SWITCH	1	1	1	1
8	380140215-T040	BOLT , FLANGE , 6×14	2	2	2	2
9	171750002-T040	GOVERNOR GEAR ASSY.	1	1	1	1
10	380630137-T040	BEARING , RADIAL BALL	1	1	1	1
11	380450531-T040	WASHER , PLAIN	1	1	1	1
12	381350004-T040	PIN , LOCK	1	1	1	1
13	171630001-T040	SHAFT , GOVERNOR ARM	1	1	1	1



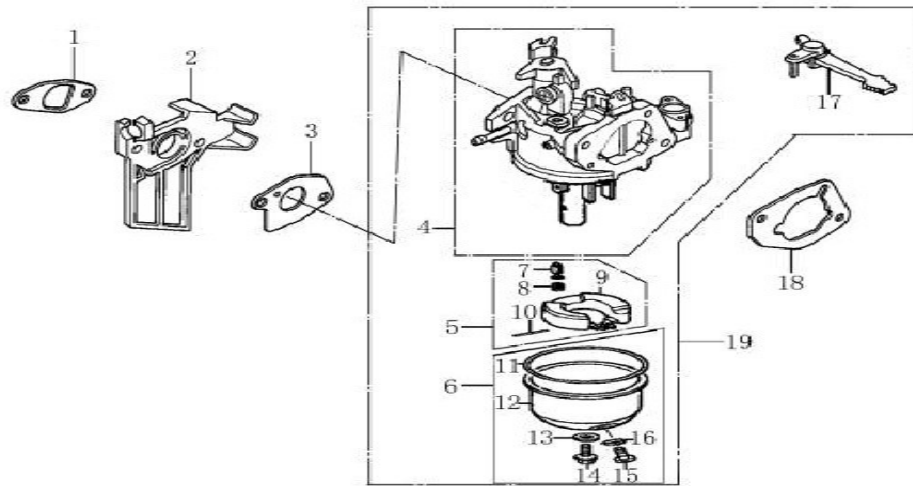
□□□□ (GAS DISTRIBUTION ADJUSTMENT)

No.	Part No.	□□□□□	Description	□□ (Reqd. QTY)			
				LC168F(D)-I	LC168F(D)-II	G160F(D)	G200F(D)
1	140470001-T040	□□□□□□	NUT , PIVOT ADJUSTING	2	2	2	2
2	140490012-T040	□□□□□□	PIVOT , ROCKER ARM	2	2	2	2
3	140460030-T040	(□)□□□□□□	ARM , VALVE ROCKER	2	2	2	2
4	140480012-T040	□□□□□□	BOLT , PIVOT ARM	2	2	2	2
5	140710001-T040	□□□□□□□	PLATE , PUSH ROD GUIDE	1	1	1	1
6	140670004-T040	□□□□	ROD , PUSH	2	2	2	2
7	140690002-T040	□□	LIFTER , VALVE	2	-	2	-
	140690003-T050	□□	LIFTER , VALVE	-	2	-	2
8	140320001-T040	□□□□□	RATATOR , VALVE	2	2	2	2
9	140380017-T040	□□□□□	RETAINER , VALVE SPRING	2	2	2	2
10	140340022-T040	□□□□□	SPRING , VALVE	2	2	2	2
11	140400011-T040	□□□	SEAL , GUIDE	1	1	1	1
12	500550024-T040	□□□□	VALVE COMP.	1	1	1	1
13	140020038-T040	□□□	CAMSHAFT ASSY.	1	-	1	-
	140020040-T050	□□□	CAMSHAFT ASSY.	-	1	-	1
14	140450022-T040	□□□□□□	ARM COMP.	2	2	2	2



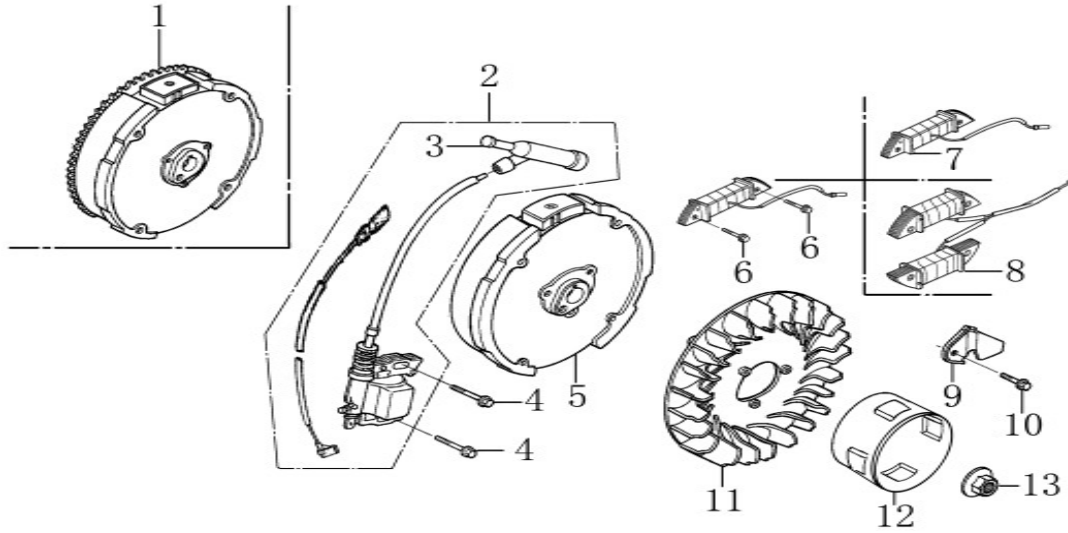
STARTER
SUBASSEMBLY

No.	Part No.	Description	(Reqd. QTY)			
			LC168F(D)-I	LC168F(D)-II	G160F(D)	G200F(D)
1	193490011-T040	RECOIL STARTER COMP.	1	1	1	1
2	271660028-T040	SWITCH ASSY., ENGINE STOP	1	1	1	1
3	271660027-T040	SWITCH ASSY., ENGINE STOP(OIL ALERT)	1	1	1	1
4	160210005-T040	COVER COMP ., FAN	1	1	1	1
5	160210006-T040	COVER COMP ., FAN	1	1	1	1
6	380140011-T040	BOLT , FLANGE 6×10	4	4	4	4
7	193500008-T040	STARTER ASSY.	1	1	1	1
8	380020067-T040	SCREW , SETTING	1	1	1	1
9	193550003-T040	GUIDE , RATCHET	1	1	1	1
10	381150342-T040	SPRING , FRICTION	1	1	1	1
11	193540003-T040	RATCHET , STARTER	2	2	2	2
12	381160090-T040	SPRING , RETURN	2	2	2	2
13	193520003-T040	REEL , RECOIL STARTER	1	1	1	1
14	193340018-T040	SPRING , RECOIL STARTER	1	1	1	1
15	193530004-T040	ROPE	1	1	1	1



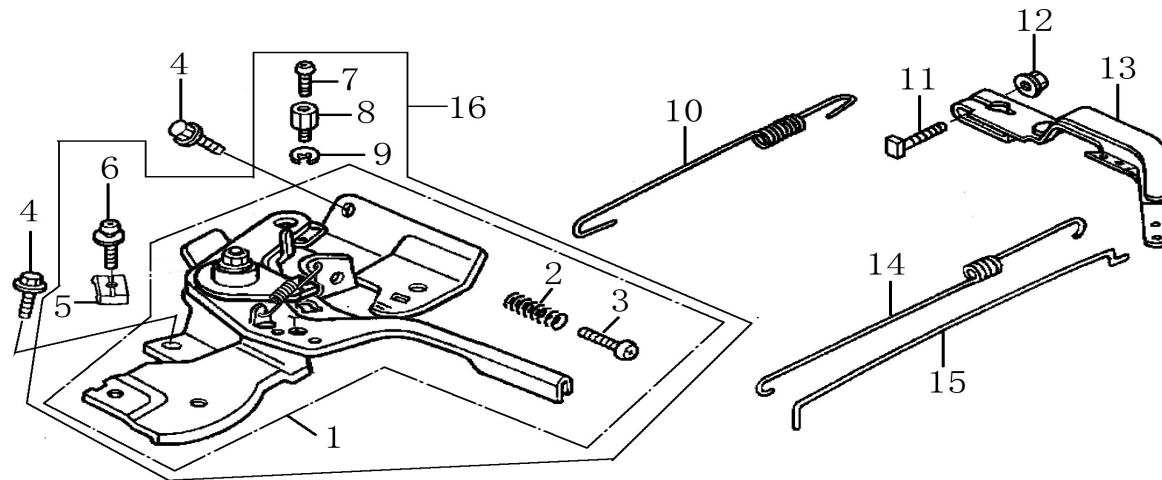
□□□□ CARBURETOR □

No.	Part No.	□□□□□	Description	□□ (Reqd. QTY)			
				LC168F(D)-I	LC168F(D)-II	G160F(D)	G200F(D)
1	170430060-T05K	□□□□□	PACKING , INSULATOR	1	1	1	1
2	170440038-T040	□□□□□	INSULATOR , CARBURETOR	1	1	1	1
3	170430048-T05K	□□□□□	PACKING ., CARBURETOR	1	1	1	1
4	170160029-T040	□□□□□	CARBURETOR'S NOUMENON	1	-	1	-
	170160032-T050	□□□□□	CARBURETOR'S NOUMENON	-	1	-	1
5	170270036-T040	□□□□	FLOAT ASSY.	1	1	1	1
6	170240021-T040	□□□□□	OIL CUP ASSY.	1	1	1	1
7	170180024-T040	□□	VALVE , FLOAT	1	1	1	1
8	381150336-T040	□□	SPRING , VALVE SET	1	1	1	1
9	170280019-T040	□□	FLOAT	1	1	1	1
10	170290017-T040	□□□	PIN , FLOAT	1	1	1	1
11	380840455-T040	□□□	GASKET , OIL CUP	1	1	1	1
12	170250021-T040	□□□	OIL CUP	1	1	1	1
13	380450539-T040	□□□	GASKET , OIL CUP BOLT	1	1	1	1
14	380140353-T040	□□□□□□□	BOLT , OIL CUP	1	1	1	1



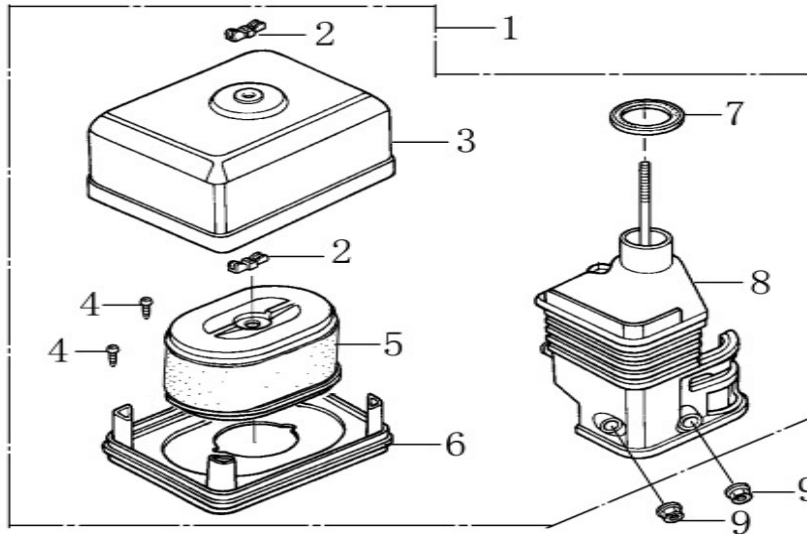
FLYWHEEL/COIL

No.	Part No.	Description	Reqd. QTY			
			LC168F(D)-I	LC168F(D)-II	G160F(D)	G200F(D)
1	270020098-T041	FLYWHEEL COMP	(1)	(1)	(1)	(1)
2	270920162-T040	COIL ASSY . , IGNITION	1	1	1	1
3	270950040-T040	CAP ASSY . , NOISE SUPPRESSOR	1	1	1	1
4	380140102-T040	BOLT , FLANGE , 6×25	(2)	(2)	(2)	(2)
5	270020097-T040	FLYWHEEL COMP	1(-)	1(-)	1(-)	1(-)
6	380140102-T040	BOLT , FLANGE , 6×25	(2)	(2)	(2)	(2)
7	270190001-T111	COIL ASSY . , CHARGE	(1)	(1)	(1)	(1)
8	270190003-T111	COIL ASSY . , CHARGE	(1)	(1)	(1)	(1)
9	270280006-T041	CLAMPER , CORD	(1)	(1)	(1)	(1)
10	380140089-T040	BOLT , FLANGE , 6×8	(1)	(1)	(1)	(1)
11	160180007-T040	FAN , COOLING	1	1	1	1
12	193590005-T040	PULLEY , STARTER	1	1	1	1
13	380370051-T040	NUT , SPECIAL	1	1	1	1



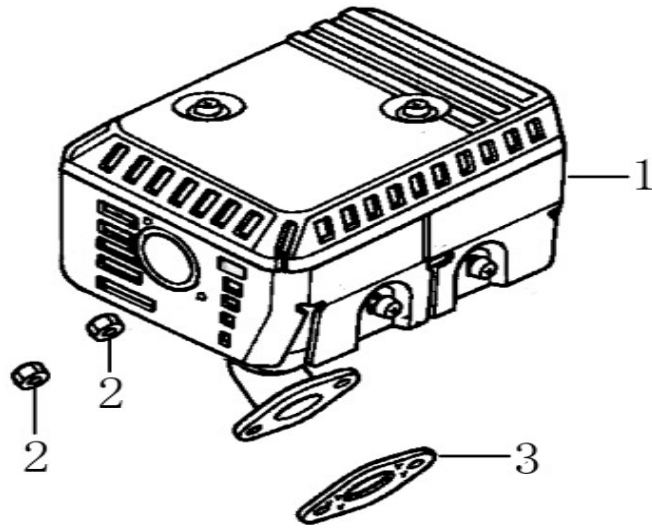
CONTROL SYSTEM

No.	Part No.	Description	(Reqd. QTY)			
			LC168F(D)-I	LC168F(D)-II	G160F(D)	G200F(D)
1	171680006-T040	CONTROL ASSY.	1	1	1	1
2	171660001-T040	SPRING	1	1	1	1
3	380200017-T040	SCREW , 5×35	1	1	1	1
4	380140011-T040	BOLT, FLANGE M6×10	2	2	2	2
5	171710004-T040	HOLDER, CABLE	1	1	1	1
6	380200010-0005	SCREW , 5×25	1	1	1	1
7	380200037-0003	SCREW , 4×6	1	1	1	1
8	171720001-0001	HOLDER, WIRE	1	1	1	1
9	380570018-0002	CIRCLIP	1	1	1	1
10	171600036-T040	SPRING, GOVERNOR	1	1	1	1
11	380250002-T040	BOLT, QUADRATE HEAD M6×21	1	1	1	1
12	380370048-T040	NUT, FLANGE M6	1	1	1	1
13	171620001-T040	ARM, GOVERNOR	1	1	1	1
14	171610002-T040	SPRING, THROTTLE RETURN	1	1	1	1
15	171590002-T040	ROD, GOVERNOR	1	1	1	1
16	171680011-T040	CONTROL ASSY.	1	1	1	1



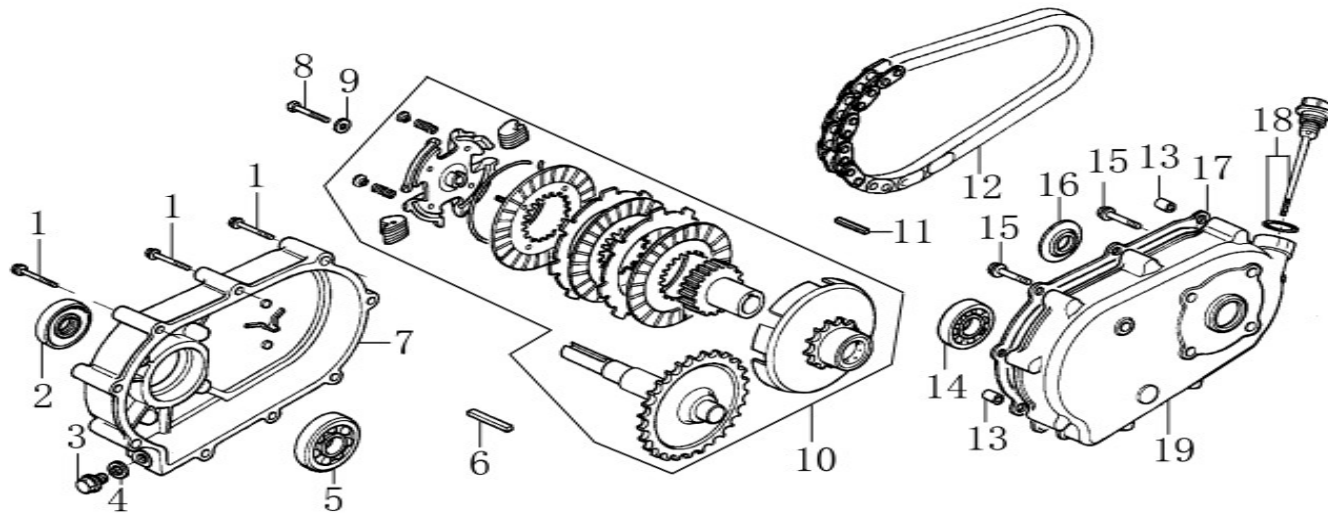
□□□□ AIR CLEANER □

□□ No.	□□□□ Part No.	□□□□□	Description	□□ (Reqd. QTY)			
				LC168F(D)-I	LC168F(D)-II	G160F(D)	G200F(D)
1	180020317-T040	(□)□□□	AIR CLEANER ASSY	1	1	1	1
2	380440002-T040	□□□□ M6	NUT , TOOL BOX SETTING	2	2	2	2
3	180070083-T040	□□□□□□	COVER , AIR CLEANER	1	1	1	1
4	380310015-T040	□□□□ST3.5X12	SCREW	2	2	2	2
5	180100034-T040	□□□□□□□	ELEMENT ASSY. , AIR CLEANER	1	1	1	1
6	180330018-T040	□□□□□□	NOSE , SILENCER	1	1	1	1
7	380840431-T040	□□□	PACKING , ELBOW	1	1	1	1
8	180280001-T040	□□□□	ELBOW COMP., AIR CLEANER	1	1	1	1
9	380370048-T040	□□□□□□M6	NUT , FLANGE , 6MM	2	2	2	2
11							
12							
13							
14							
15							



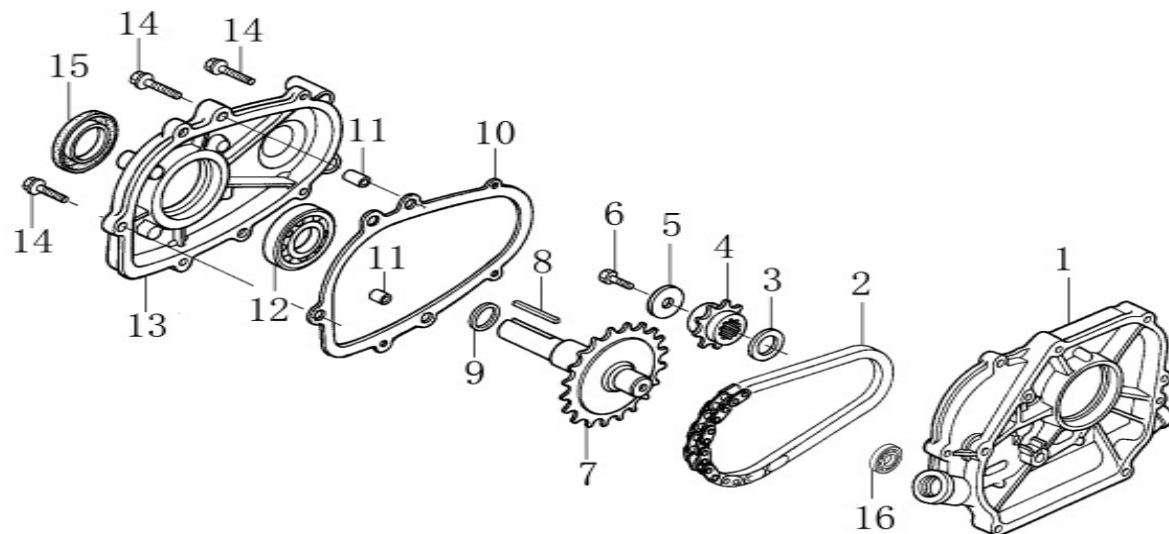
□□□□MUFFLER□

No.	Part No.	□□□□□	Description	□□ (Reqd. QTY)			
				LC168F(D)-I	LC168F(D)-II	G160F(D)	G200F(D)
1	180570795-T040	□□□	MUFFLER ASSY.	1	1	1	1
2	380340005-0005	□□□□	NUT, HEX.	2	2	2	2
3	180650065-T05K	□□□□□□	GASKET , MUFFLER	1	1	1	1
4							
5							
6							
7							
8							
9							
10							
11							
12							
13							
14							
15							



□□□□(CLUTCH RETARDER)

No.	Part No.	□□□□□□	Description	□□ (Reqd. QTY)			
				LC168F(D)-IB	LC168F(D)-IIB	G160F(D)-B	G200F(D)-B
1	380140186-T042	□□□□□□□□	BOLT , FLANGE , 6×55	9	9	9	9
2	380650343-T042	□□ 30×50×8	OIL SEAL,30×50×8	1	1	1	1
3	110260024-T110	□□□□M12X1.5X15	BOLT , DRAIN PLUG	1	1	1	1
4	380450516-0001	□□□□12X20X2	WASHER , DRAIN PLUG	1	1	1	1
5	380630140-T042	□□6206	BEARING , RADIAL BALL	1	1	1	1
6	380620033-T042	□□5X5X40	KEY 5X5X40	1	1	1	1
7	191920001-T042	□□□□	RETARDER CASE COVER	1	1	1	1
8	380140358-T042	□□□□□□□□	BOLT , FLANGE , 8×30	1	1	1	1
9	380450566-T042	□□□	WASHER ,HOLDER , 8.4×16×1.5	1	1	1	1
10	190010111-T042	□□□□□	CLUTCH ASSY.	1	1	1	1
11	380620032-T042	□ 5X5X33	KEY 5X5X33	1	1	1	1
12	191920001-T042	□□	CHAIN , RETARDER	1	1	1	1
13	380600120-T042	□□□ 8×14	PIN , DOWEL ,8×14	2	2	2	2
14	380630137-T042	□□6205	BEARING , RADIAL BALL	1	1	1	1
15	380140004-T042	□□□□□□□□	BOLT , FLANGE 8×20	5	5	5	5



RETARDER

No.	Part No.	Description	Reqd. QTY			
			LC168F(D)-IC	LC168F(D)-IIC	G160F(D)-C	G200F(D)-C
1	110820015-T044	CASE COVER	1	1	1	1
2	260010132-T044	CHAIN,RETARDER	1	1	1	1
3	380450517-T044	WASHER	1	1	1	1
4	191950002-T044	CHAIN WHEEL	1	1	1	1
5	380450524-T044	WASHER	1	1	1	1
6	380140093-T044	BOLT 8×30	1	1	1	1
7	191960002-T044	OUTPUT SHAFT	1	1	1	1
8	380620058-0001	KEY 5X5X33	1	1	1	1
9	380450523-T044	WASHER	1	1	1	1
10	191930006-T044	PACKING	1	1	1	1
11	380600120-T044	PIN	2	2	2	2
12	380630137-T044	BEARING , RADIAL BALL	1	1	1	1
13	191920002-T044	COVER	1	1	1	1
14	380140028-T044	BOLT 8×32	6	6	6	6
15	380650334-T044	OIL SEAL	1	1	1	1
16	380630259-0001	BEARING , RADIAL BALL	1	1	1	1